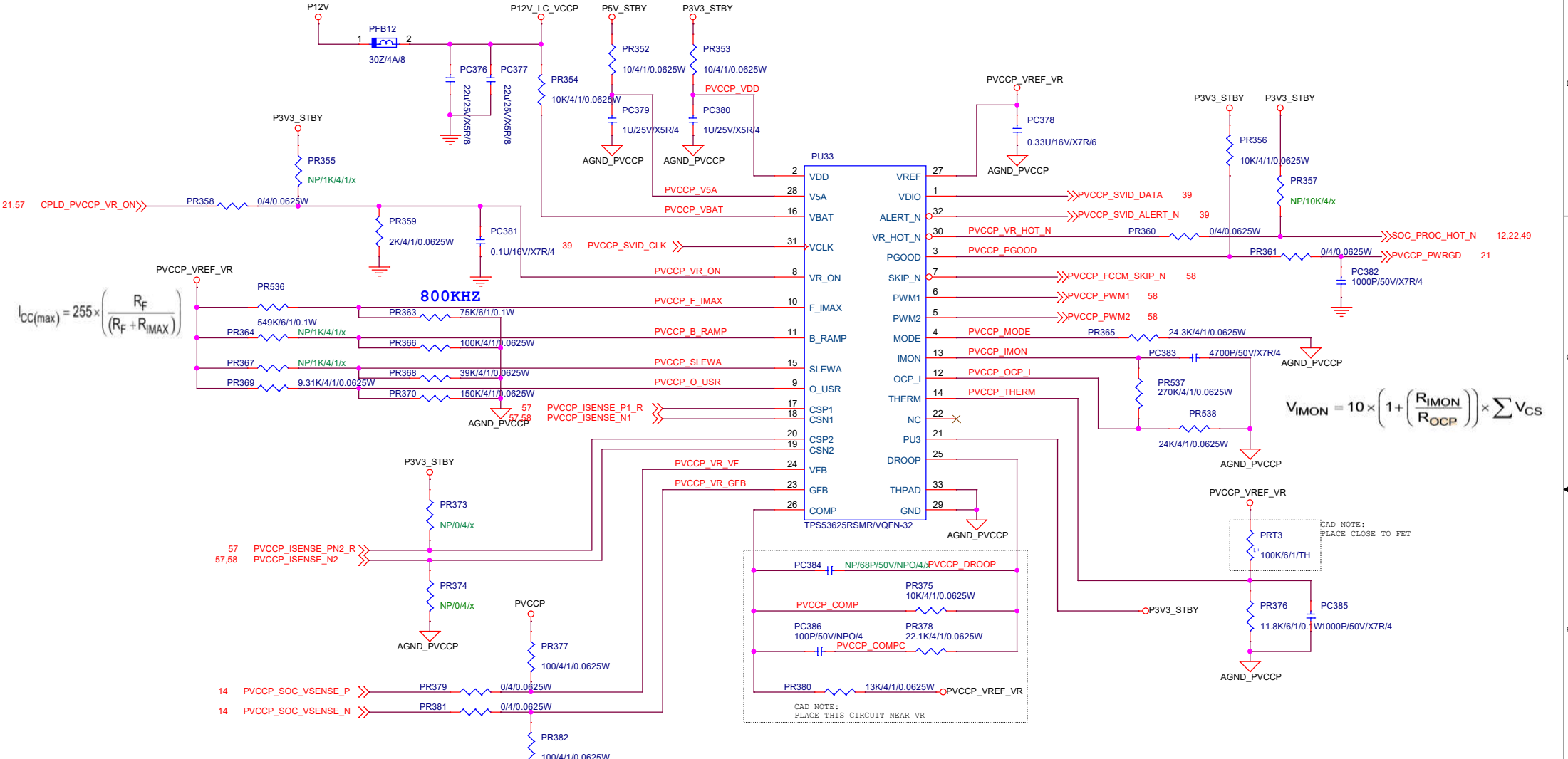


PVCCP(TPS53625RSMR)

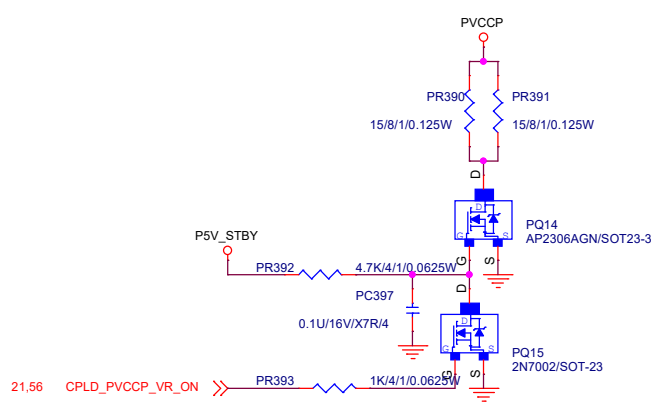
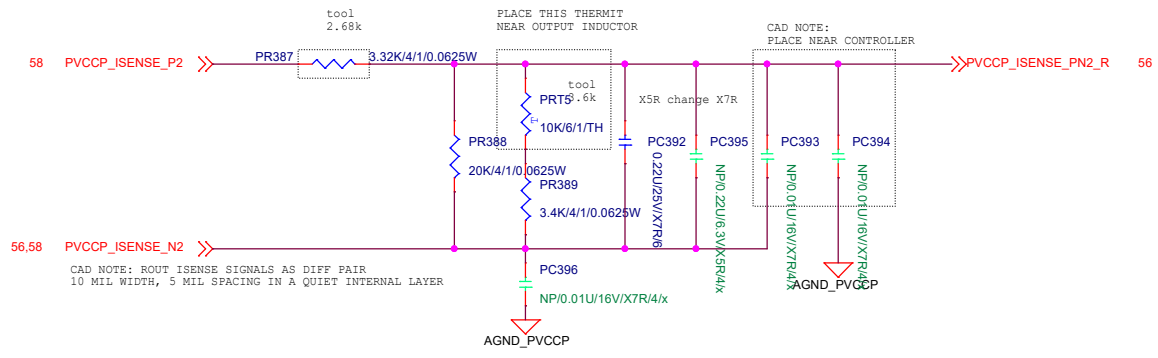
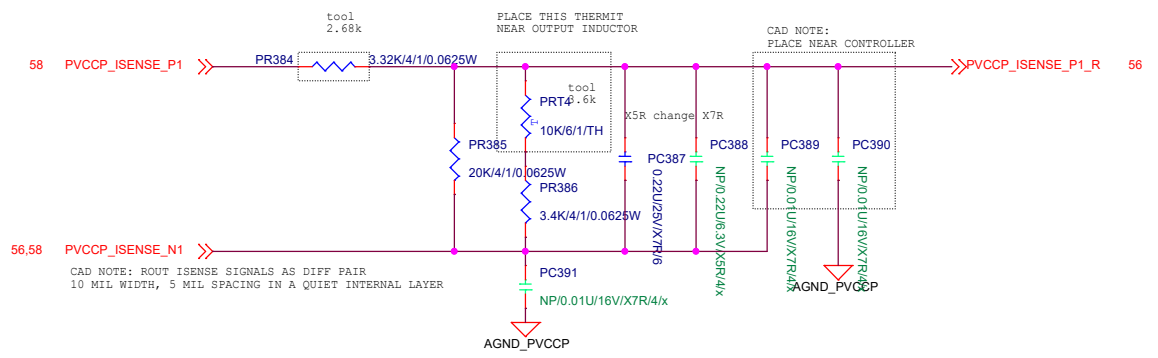


$$I_{CC(max)} = 255 \times \left(\frac{R_f}{R_f + R_{IMAX}} \right)$$

$$V_{IMON} = 10 \times \left(1 + \left(\frac{R_{IMON}}{R_{OCP}} \right) \right) \times \sum V_{CS}$$

| SELECTION RESISTOR (R _f) VALUE (kΩ) | OPERATING FREQUENCY (f _{sw}) (kHz) |
|-------------------------------------------------|----------------------------------------------|
| 20 | 300 |
| 24 | 400 |
| 30 | 500 |
| 39 | 600 |
| 56 | 700 |
| 75 | 800 |
| 100 | 900 |
| 150 | 1000 |

PVCCP_ISENSE



PVCCP(CSD95375Q4M)

DESIGN NOTE:
 VOUT = SVID (0.52V~1.24V)
 IOUT = 30A (TDC)

