

Thu Feb 16 11:23:41 2023

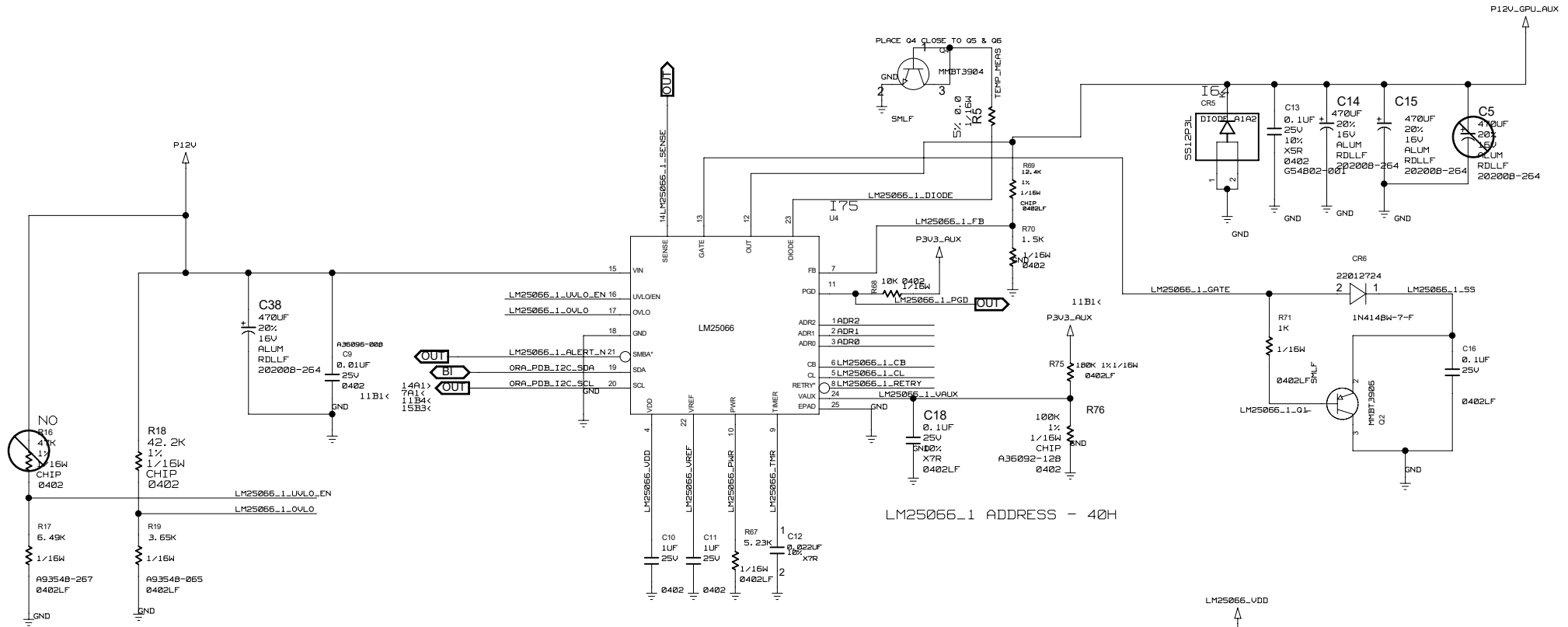
Atos	BOARD: <CARTE>	BLOCK: ordpvdb	PDF_FILE: <NUMERO>
	ENG: <RESPONSABLE>	DATE: <DATE>	REV: <REV> SHEET: 15/18 15/18

4

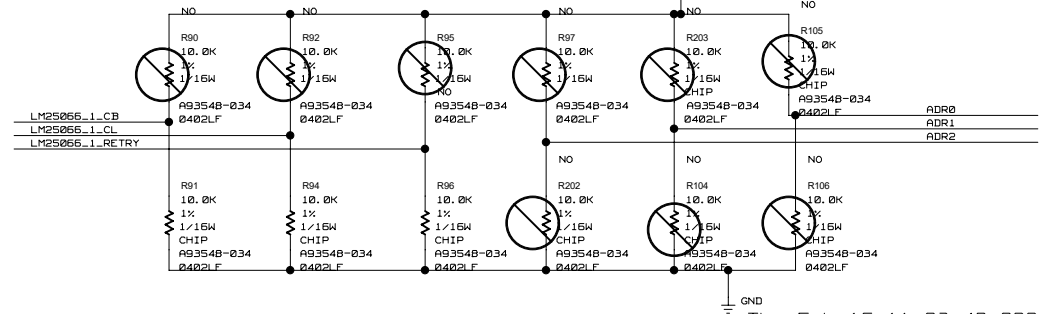
3

2

1



SPECIFICATIONS
 MAXIMUM OUTPUT CURRENT= 29A
 PEAK CURRENT= 66.67A
 MAXIMUM LOAD CAPACITANCE= 2000UF
 CAPACITOR TIMER= 1.70 TO 2.08 MILLI SEC
 MAXIMUM POWER= 350W



Thu Feb 16 11:23:40 2023

Atos	BOARD: <CARTE>	BLOCK: ordpvdb	PDF_FILE: <NUMERO>
	ENG: <RESPONSABLE>	DATE: <DATE>	REV: <REV> SHEET: 18/18 18/18

4

3

2

1