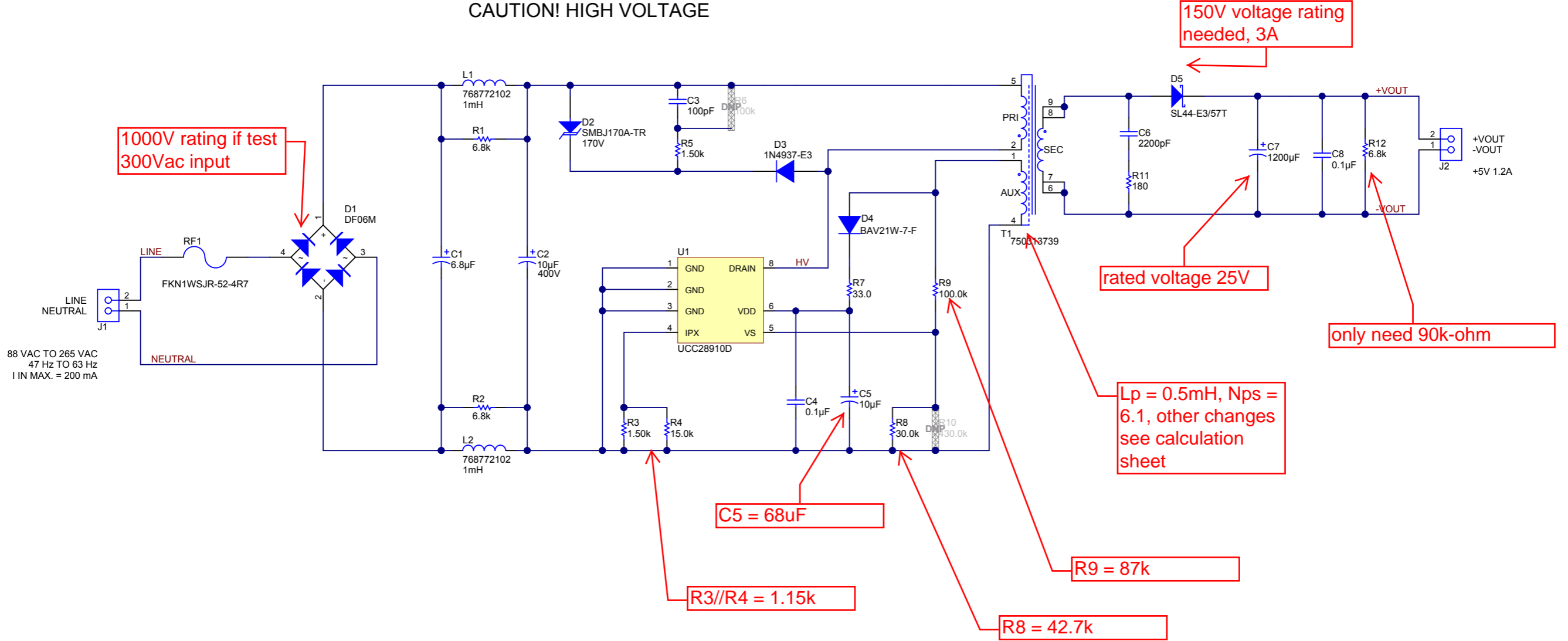
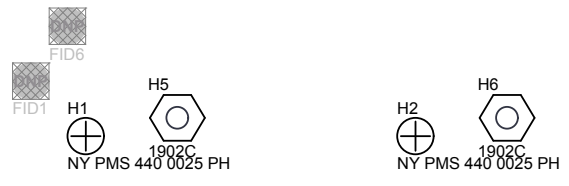


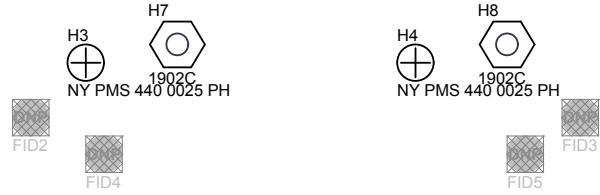
CAUTION! HIGH VOLTAGE





PCB Number: PWR526  
PCB Rev: A

PCB  
LOGO  
Texas Instruments



ZZ1  
Label Assembly Note  
This Assembly Note is for PCB labels only

ZZ2  
Assembly Note  
This Assembly Note will show in the PcbDoc and associated outputs

ZZ3  
Assembly Note  
This Assembly Note will show in the PcbDoc and associated outputs

ZZ4  
Assembly Note  
This Assembly Note will show in the PcbDoc and associated outputs

PCB  
LOGO  
DANGER HIGH VOLTAGE  
PCB  
LOGO  
DANGER HIGH VOLTAGE

Texas Instruments and/or its licensors do not warrant the accuracy or completeness of this specification or any information contained therein. Texas Instruments and/or its licensors do not warrant that this design will meet the specifications, will be suitable for your application or fit for any particular purpose, or will operate in an implementation. Texas Instruments and/or its licensors do not warrant that the design is production worthy. You should completely validate and test your design implementation to confirm the system functionality for your application.

|                        |  |  |  |                                 |  |                       |  |
|------------------------|--|--|--|---------------------------------|--|-----------------------|--|
| Number: PWR526         |  | Rev: A   |  | Designed for: Public Release    |  | Mod. Date: 27/03/2013 |  |
| SVN Rev: 193           |  | Assembly Variant: 001  |  | Project Title: UCC28910FBEM-526 |  | Sheet: 2 of 2         |  |
| Drawn By: Brian Gaynor |  | File: PWR526-Hardware.SchDoc   |  | Sheet Title: Hardware           |  | Size: B               |  |
| Engineer: John Griffin |  | Contact: <a href="http://www.ti.com/support">http://www.ti.com/support</a> |  |                                 |  |                       |  |

