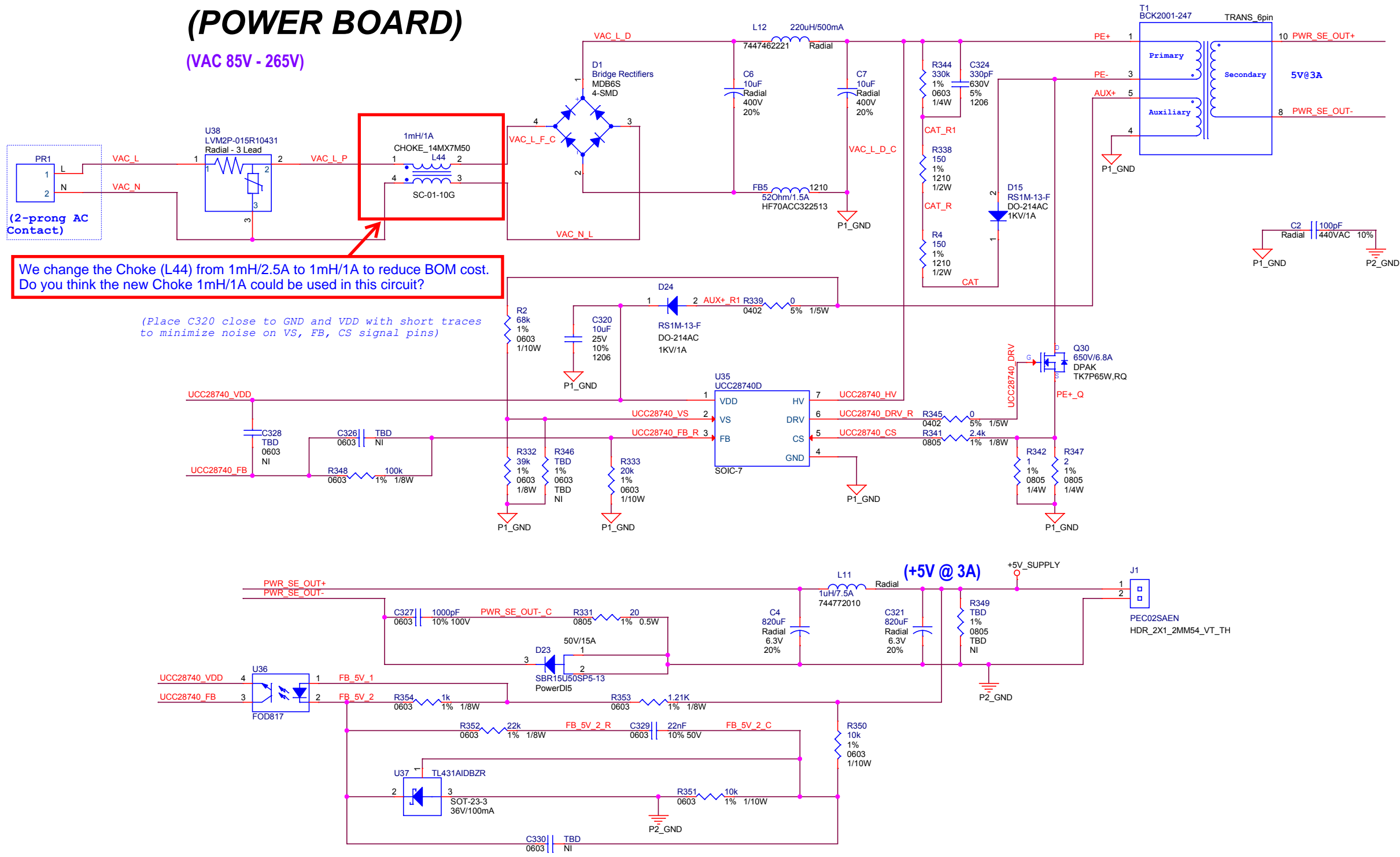


(POWER BOARD)

(VAC 85V - 265V)



We change the Choke (L44) from 1mH/2.5A to 1mH/1A to reduce BOM cost. Do you think the new Choke 1mH/1A could be used in this circuit?

(Place C320 close to GND and VDD with short traces to minimize noise on VS, FB, CS signal pins)