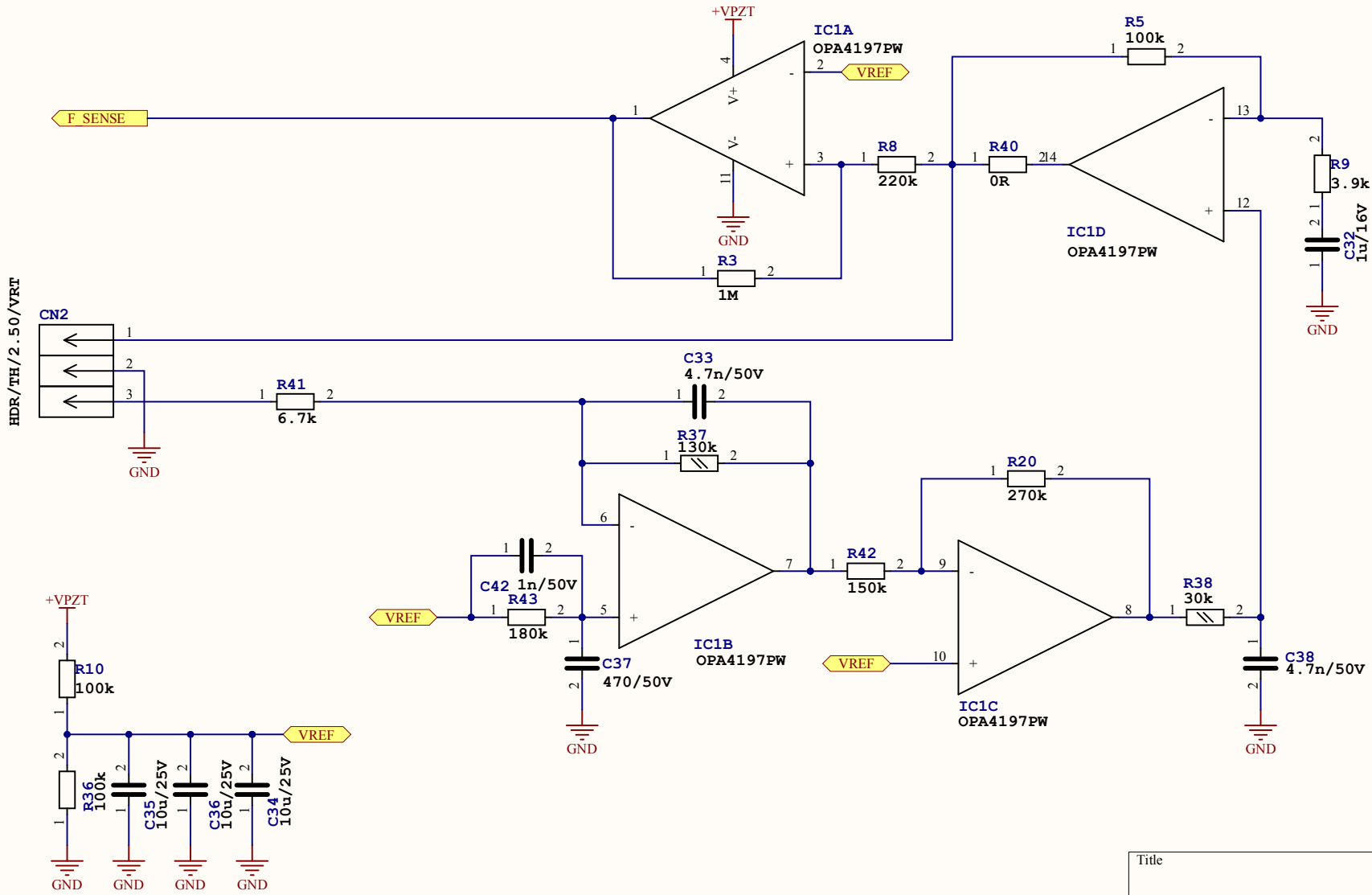
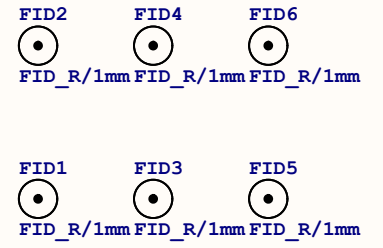
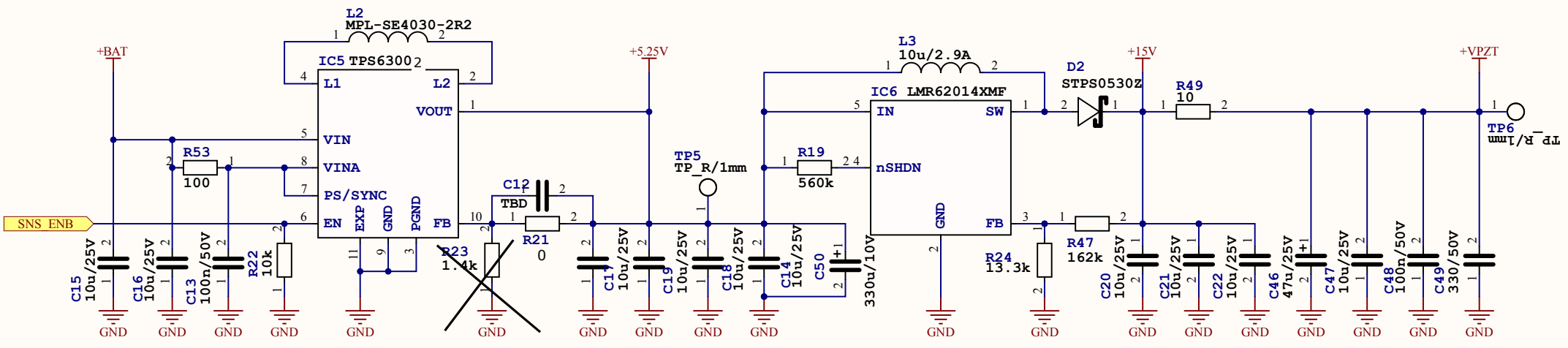
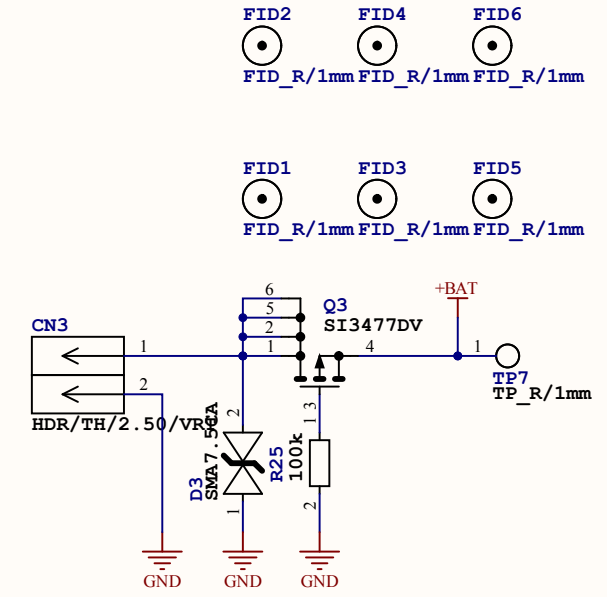
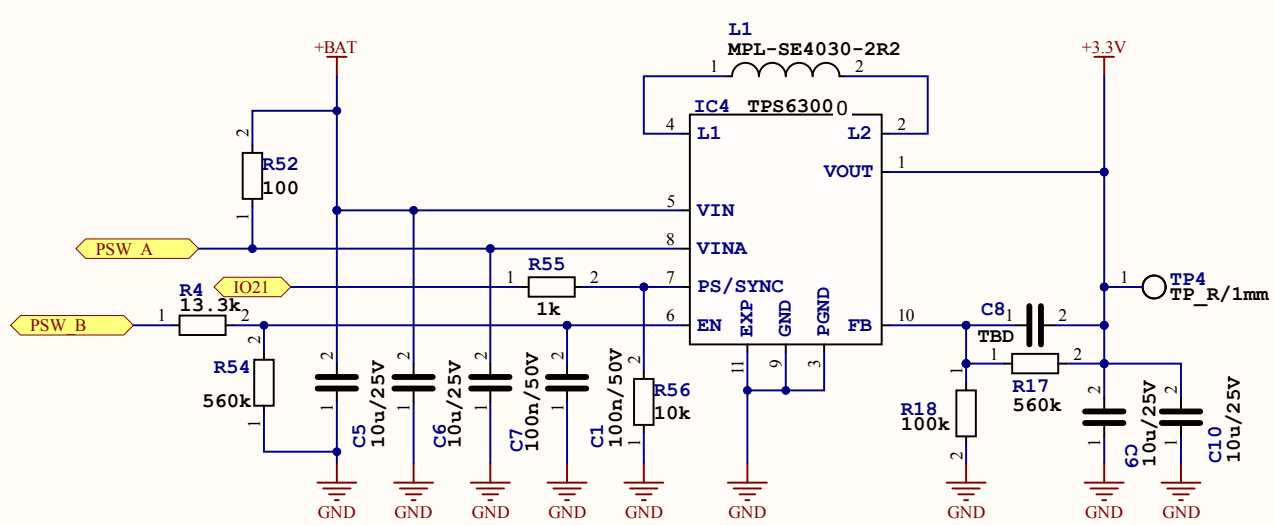


Title		
Size	Number	Revision
A4		
Date:	11/12/2021	Sheet of
File:	mcu-v1.3.1.SchDoc	Drawn By:



Title		
Size	Number	Revision
A4		
Date:	11/12/2021	Sheet of
File:	Piezzo_sense-v1.3.1.SchDoc	Drawn By:



Title		
Size	Number	Revision
A4		
Date:	11/12/2021	Sheet of
File:	power_converters-v1.3.1.SchDoc	Drawn By:

