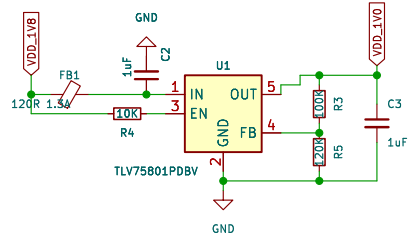
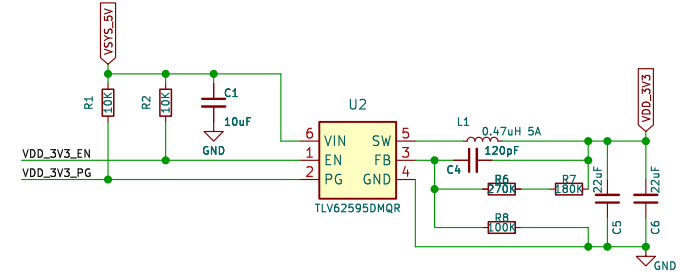


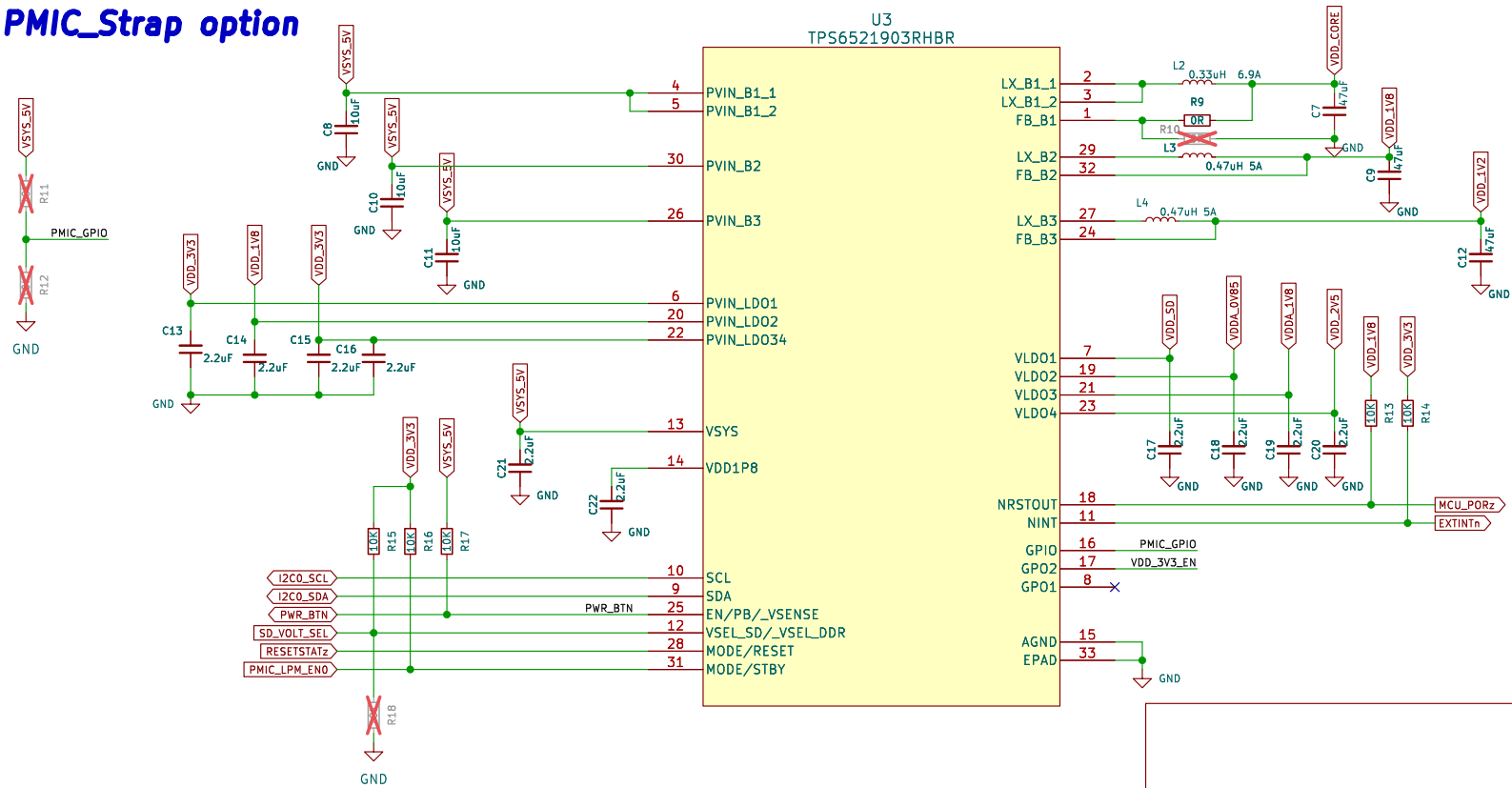
LDO 1V0



DCDC 3V3



PMIC_Strap option



Sheet: /DC_DC AND PMIC/
File: DC_DC AND PMIC.kicad_sch

Title:

Size: A4
KiCad E.D.A. 8.0.0

Date:

Rev:

Id: 1/18