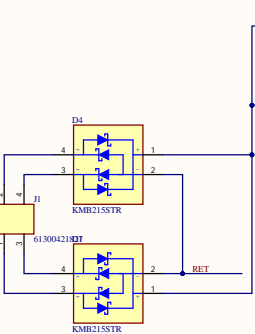
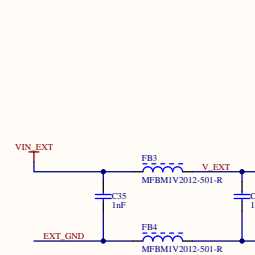




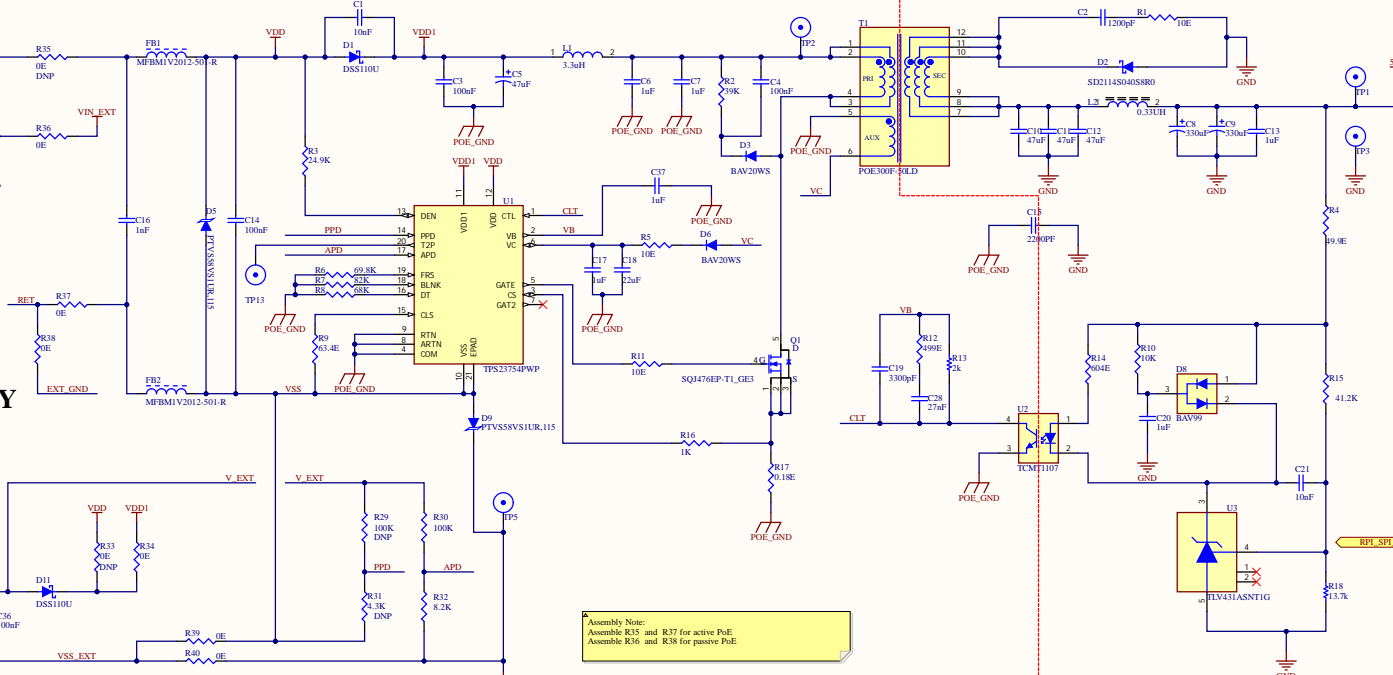
### POE HEADER



### EXTERNAL SUPPLY

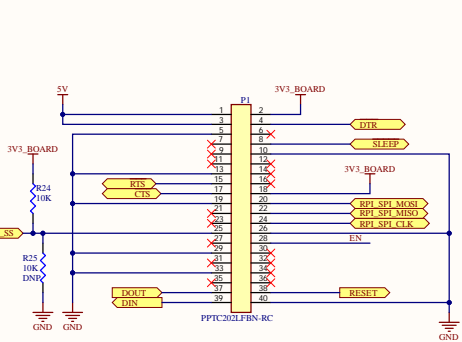


### ISOLATED FLYBACK 5V



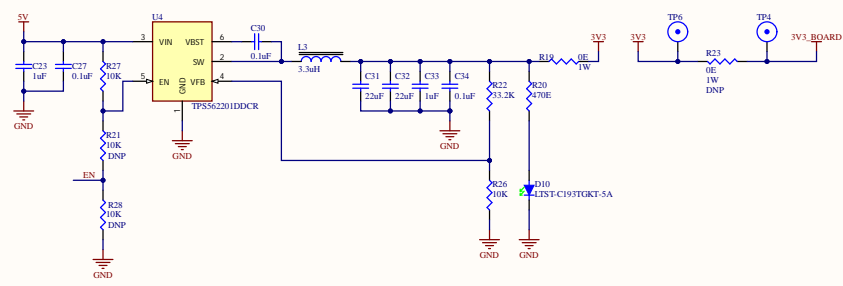
Assembly Note:  
 Assemble R15 and R17 for active PoE  
 Assemble R16 and R18 for passive PoE

### OUTPUT HEADER



### +3.3V Voltage Regulator

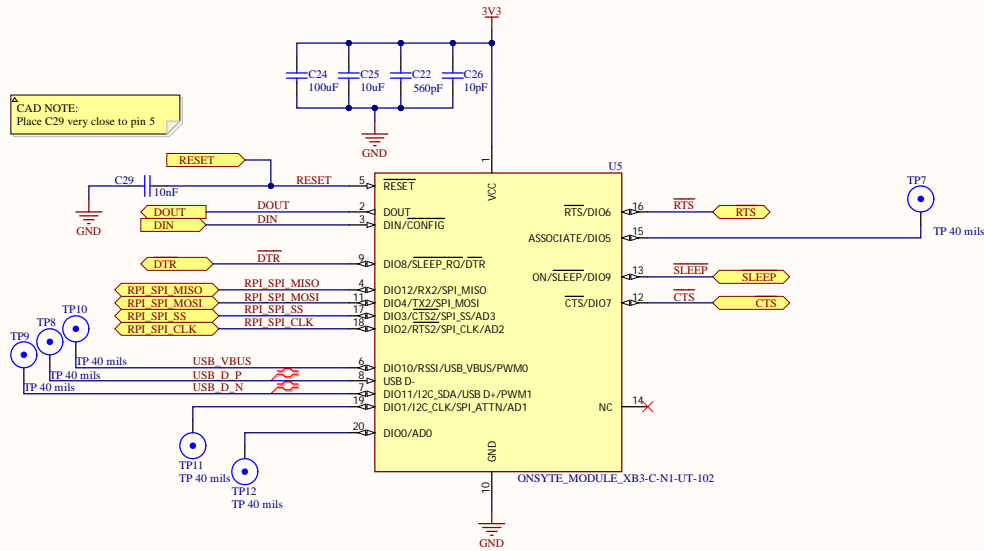
Designer Note:  
 BUCK can provide a maximum output of 2A



		TITLE: Onsyte PoE PCB Schematics	
		05 Power Supply	
DRAWN: Rony	CHECKED: Ashin	SIZE: C	DWG:
APPROVED:	SHEET 5 OF 8	FILE NAME: 05 Power Supply SchDoc	REV: 0.1
	Date: 07-23-2024	Time: 12:03:09	FL_JOB# 3465

THIS DOCUMENT IS CONFIDENTIAL AND IS THE PROPERTY OF FINISH LINE PRODUCT DEVELOPMENT SERVICES INC. IT MAY NOT BE COPIED, REPRODUCED OR DISCLOSED IN ANY FORM WITHOUT THE EXPRESS WRITTEN CONSENT OF FINISH LINE PRODUCT DEVELOPMENT SERVICES. FINISH LINE PRODUCT DEVELOPMENT SERVICES INTENDS TO PROTECT THIS CONFIDENTIAL DOCUMENT UNDER THE COPYRIGHT LAW AS AN UNPUBLISHED WORK OR IN THE EVENT OF INADVERTANT OR DELIBERATE PUBLICATION AS A PUBLISHED WORK OF FINISH LINE PRODUCT DEVELOPMENT SERVICES. COPYRIGHT 2002 FINISH LINE PRODUCT DEVELOPMENT SERVICES, INC.

# Digi XBee 3



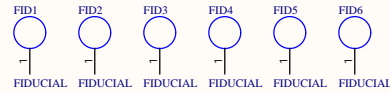
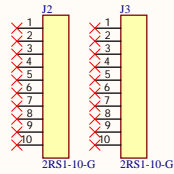
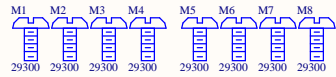
THIS DOCUMENT IS CONFIDENTIAL AND IS THE PROPERTY OF FINISH LINE PRODUCT DEVELOPMENT SERVICES INC. IT MAY NOT BE COPIED, REPRODUCED OR DISCLOSED IN ANY FORM WITHOUT THE EXPRESS WRITTEN CONSENT OF FINISH LINE PRODUCT DEVELOPMENT SERVICES. FINISH LINE PRODUCT DEVELOPMENT SERVICES INTENDS TO PROTECT THIS CONFIDENTIAL DOCUMENT UNDER THE COPYRIGHT LAW AS AN UNPUBLISHED WORK OR IN THE EVENT OF INADVERTANT OR DELIBERATE PUBLICATION AS A PUBLISHED WORK OF FINISH LINE PRODUCT DEVELOPMENT SERVICES. COPYRIGHT 2002 FINISH LINE PRODUCT DEVELOPMENT SERVICES, INC.

**FINISH LINE**  
A Better Way for Small Companies to Develop Products

94 RIVER RD  
SUITE 101  
HUDSON, NH 03051  
603-880-8484  
WWW.FINISHLINEPDS.COM

DRAWN: Rony	TITLE: Onsyte PoE PCB Schematics		DWG:
CHECKED: Ashin	DIGI_XBee_3		REV: 0.1
APPROVED	SIZE: B	FILE NAME: 06DIGI_XBee_3.SchDoc	FL JOB# 3465
	SHEET 6 OF 8	Date: 07-23-2024	Time: 12:03:09

# Miscellaneous Components



**CAD NOTE:**  
 Mounting hole for the Stand off, Provide the keepout for the standoff

## Mounting hole for Standoff

THIS DOCUMENT IS CONFIDENTIAL AND IS THE PROPERTY OF FINISH LINE PRODUCT DEVELOPMENT SERVICES INC. IT MAY NOT BE COPIED, REPRODUCED OR DISCLOSED IN ANY FORM WITHOUT THE EXPRESS WRITTEN CONSENT OF FINISH LINE PRODUCT DEVELOPMENT SERVICES. FINISH LINE PRODUCT DEVELOPMENT SERVICES INTENDS TO PROTECT THIS CONFIDENTIAL DOCUMENT UNDER THE COPYRIGHT LAW AS AN UNPUBLISHED WORK OR IN THE EVENT OF INADVERTANT OR DELIBERATE PUBLICATION AS A PUBLISHED WORK OF FINISH LINE PRODUCT DEVELOPMENT SERVICES. COPYRIGHT 2002 FINISH LINE PRODUCT DEVELOPMENT SERVICES, INC.



94 RIVER RD  
 SUITE 101  
 HUDSON, NH 03051  
 603-880-8484  
 WWW.FINISHLINEPDS.COM

DRAWN: <b>Rony</b>	TITLE: Onsyte PoE PCB Schematics		DWG:
CHECKED: <b>Ashin</b>	SIZE: <b>B</b>	Miscellaneous Components	REV: <b>0.1</b>
APPROVED	SHEET <b>7</b> OF <b>8</b>	FILE NAME: 07 Miscellaneous Components.SchDoc	FL JOB# <b>3465</b>
	Date: <b>07-23-2024</b>	Time: <b>12:03:09</b>	