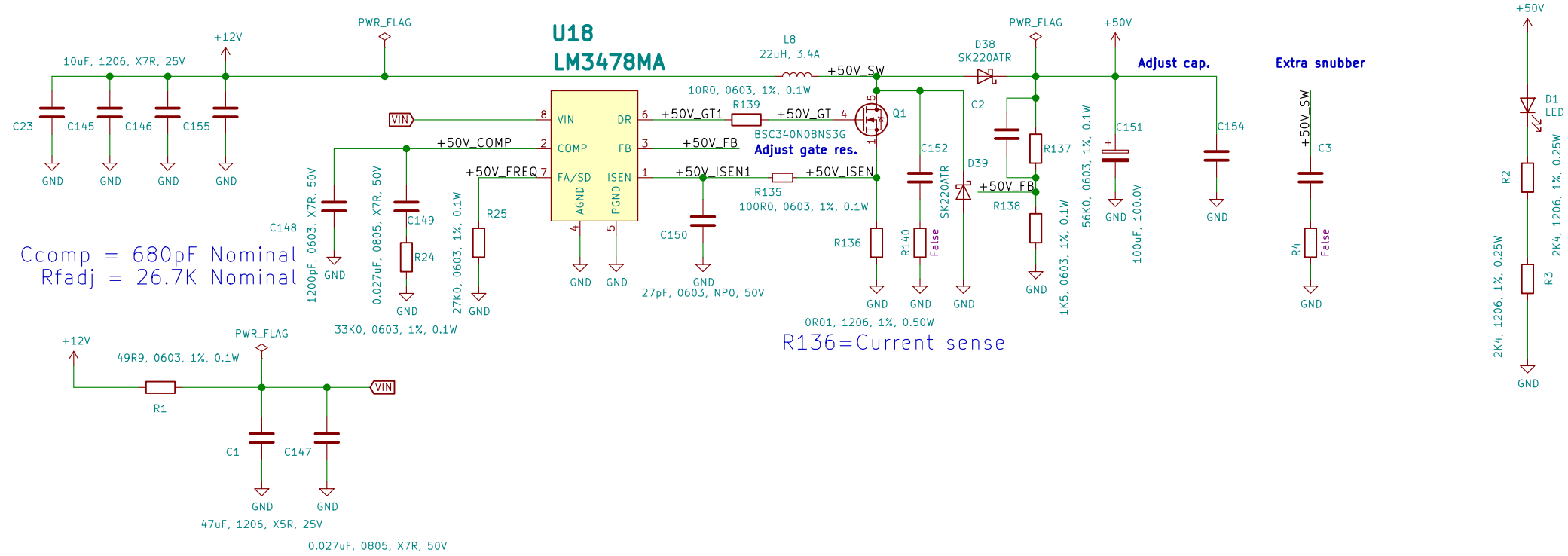


PoE Boost converter 12V -> 50V

Test Board



00510 Helsinki Elimäenkatu 9B Nexstim PLC		
Sheet: / File: PoE_BST.sch		
Title: PoE Booster		
Size: A3	Date: 2021-03-18	Rev: 1.0
KiCad E.D.A. kicad (5.1.4)-1		Id: 1/1