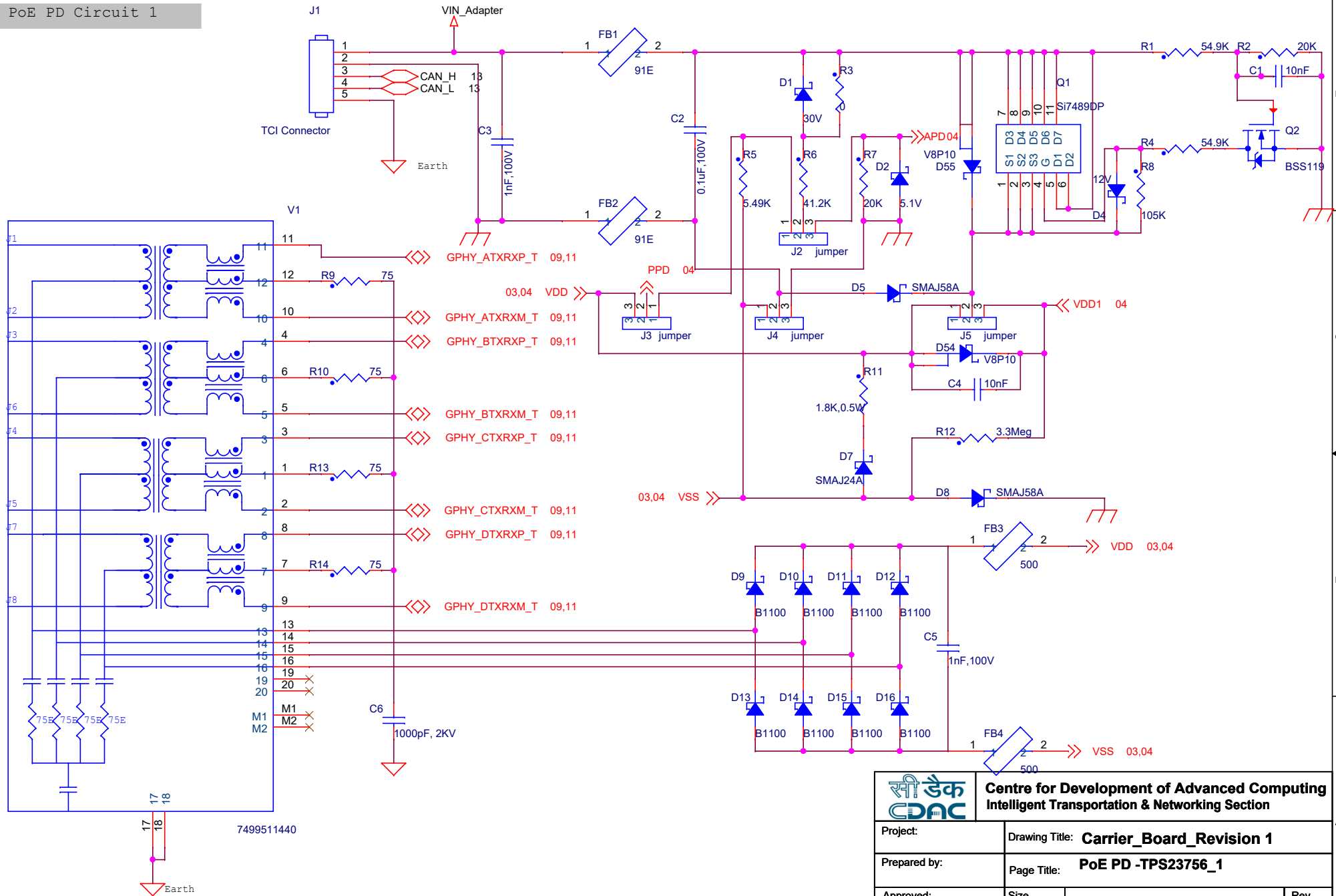

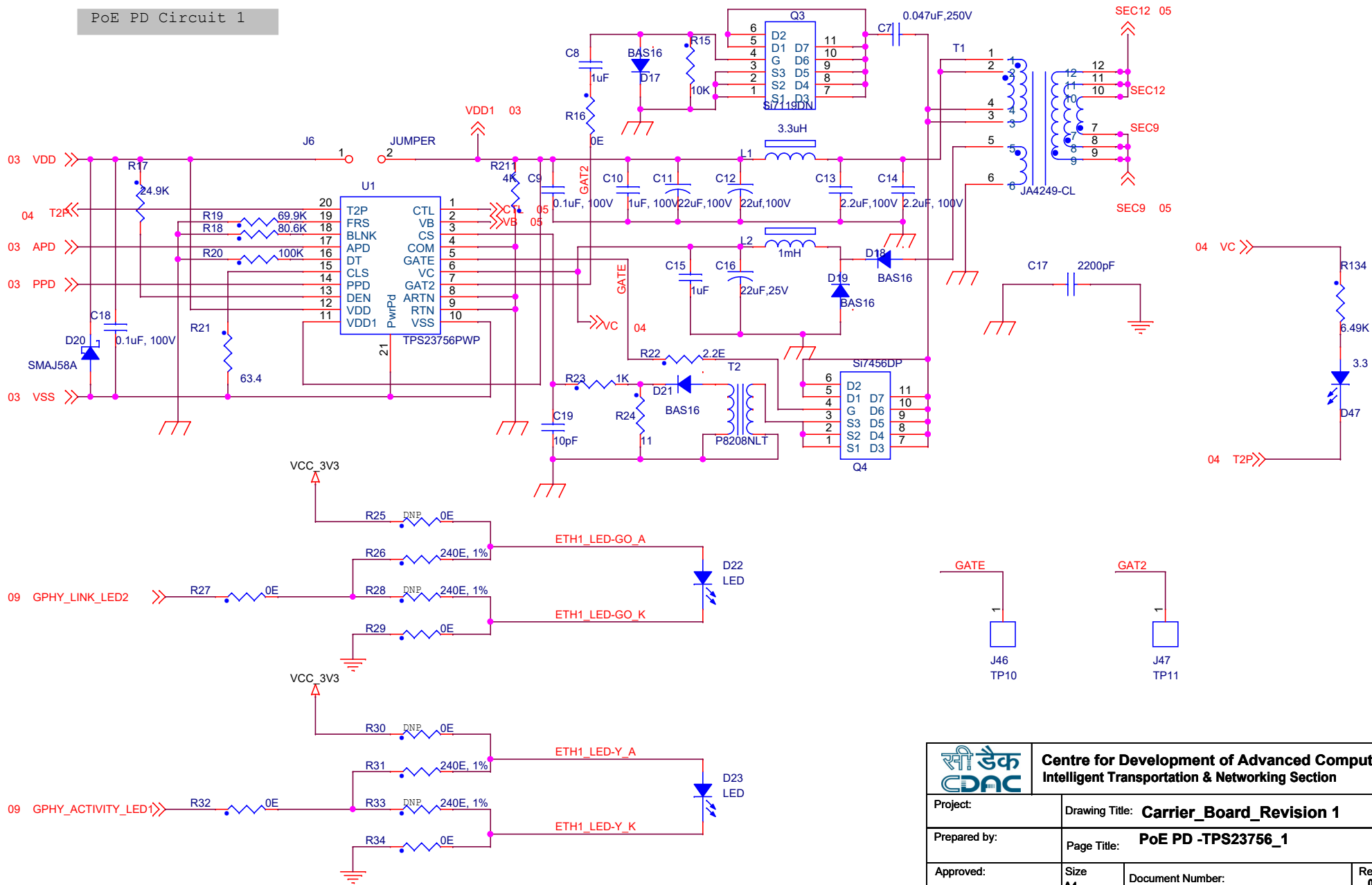



PoE PD Circuit 1

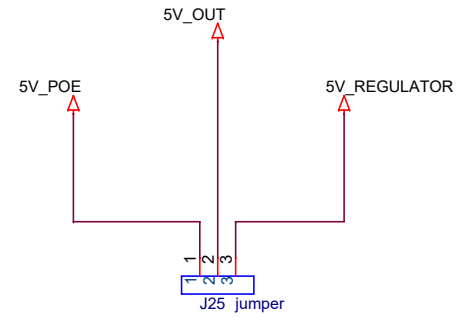
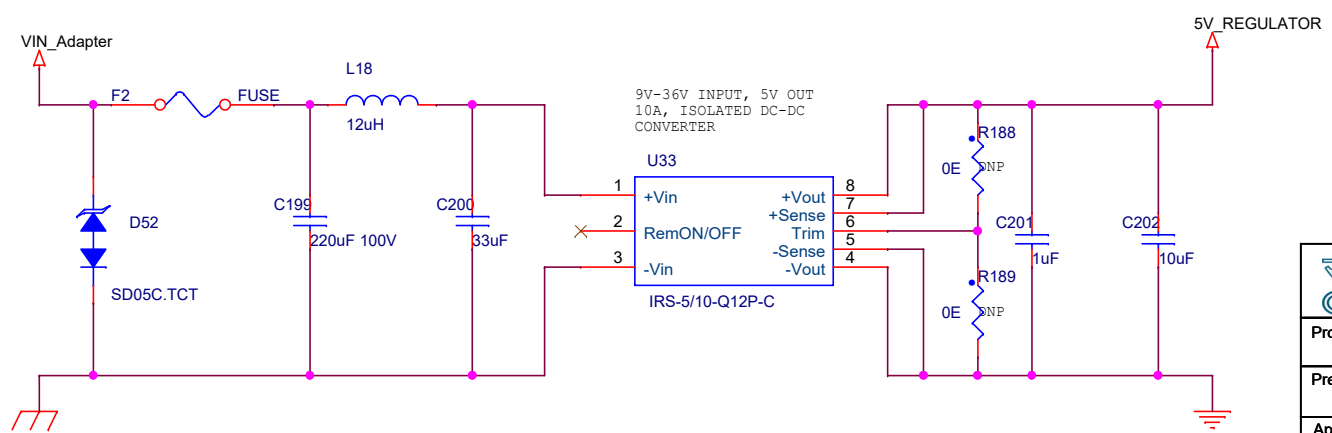
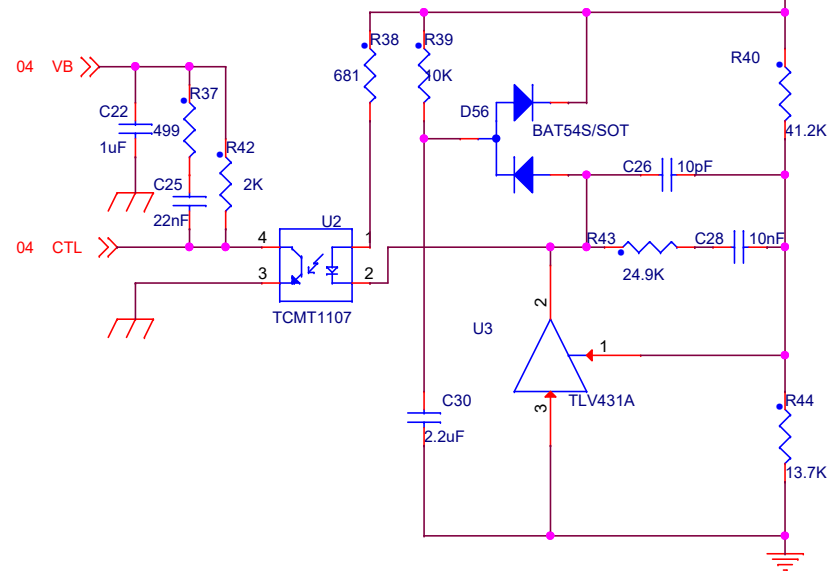
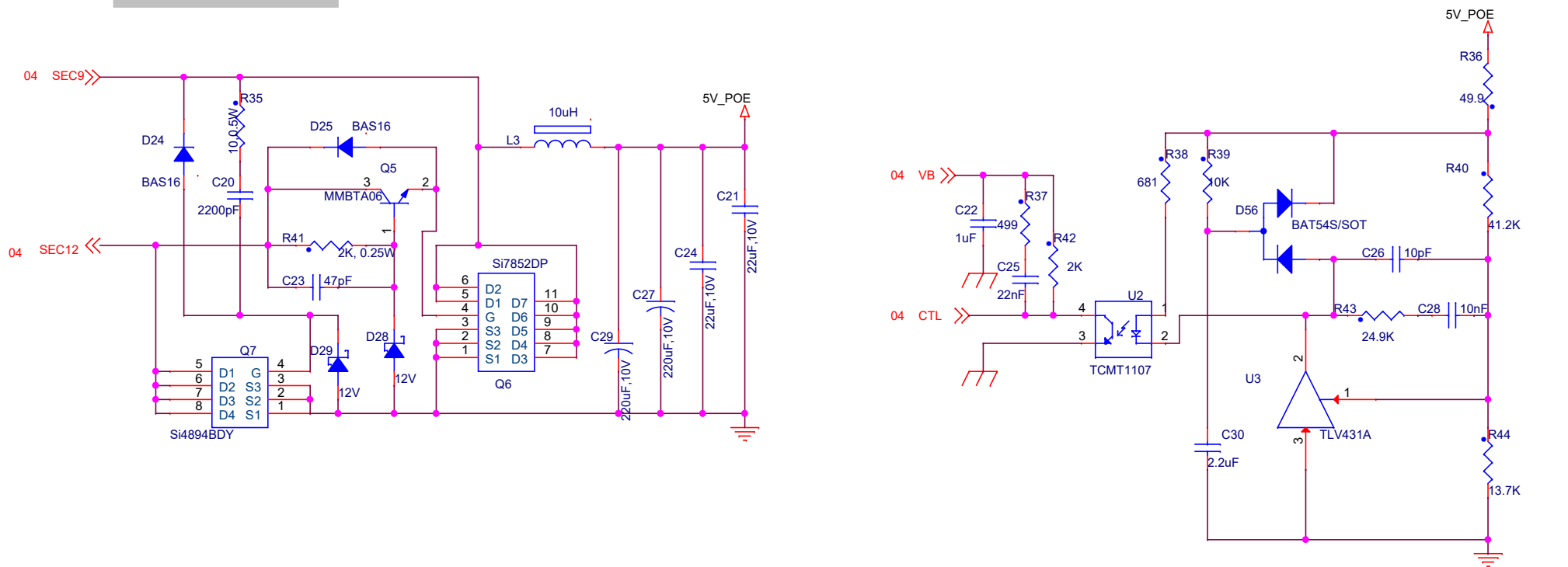



 Centre for Development of Advanced Computing Intelligent Transportation & Networking Section			
Project:		Drawing Title: Carrier_Board_Revision 1	
Prepared by:		Page Title: PoE PD -TPS23756_1	
Approved:		Size A4	Document Number: Rev 0
Date: Thursday, October 27, 2022		Sheet 03 of 19	

PoE PD Circuit 1

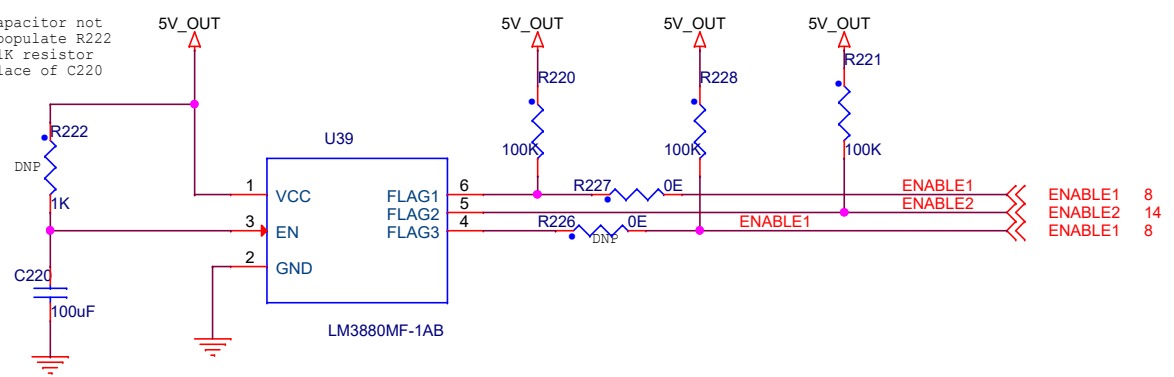


 Centre for Development of Advanced Computing Intelligent Transportation & Networking Section		Project:		Drawing Title: Carrier_Board_Revision 1	
		Prepared by:		Page Title: PoE PD -TPS23756_1	
Approved:		Size A4	Document Number:		Rev 0
Date: Thursday, October 27, 2022		Sheet 04 of 19		1	

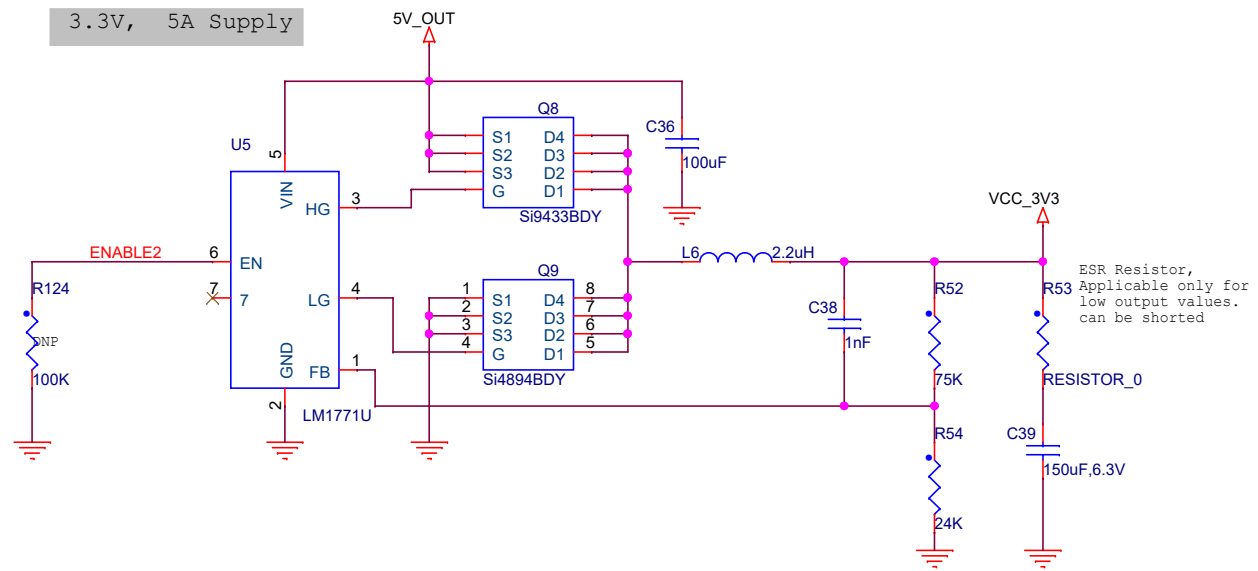
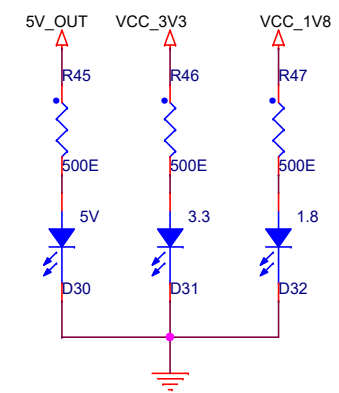


 Centre for Development of Advanced Computing Intelligent Transportation & Networking Section		Project:		Drawing Title: Carrier_Board_Revision 1	
		Prepared by:		Page Title: PoE PD -TPS23756_1	
Approved:		Size A4	Document Number:		Rev 0
Date:		Thursday, October 27, 2022		Sheet 05 of 19	

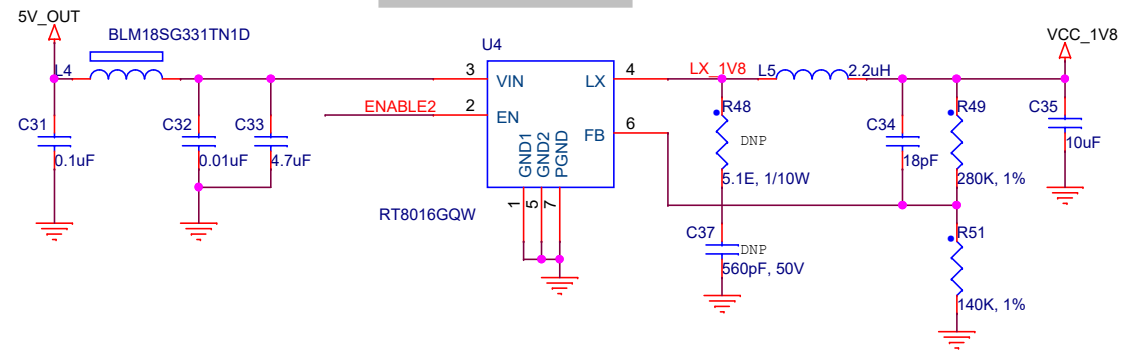
Incase capacitor not worked, populate R222 and put 1K resistor in the place of C220




3.3V, 5A Supply



1.8V, 1A Supply



 Centre for Development of Advanced Computing Intelligent Transportation & Networking Section		Project:		Drawing Title: Carrier_Board_Revision 1	
		Prepared by:		Page Title: 3.3V, 1.8V Regulators	
Approved:		Size A4	Document Number:		Rev 0
Date: Thursday, October 27, 2022		Sheet 06 of 19			