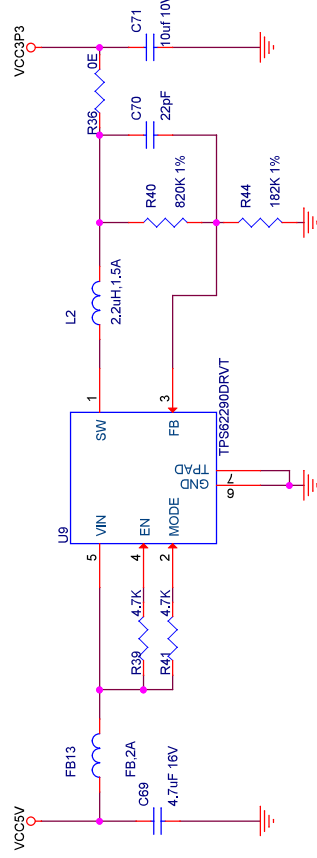
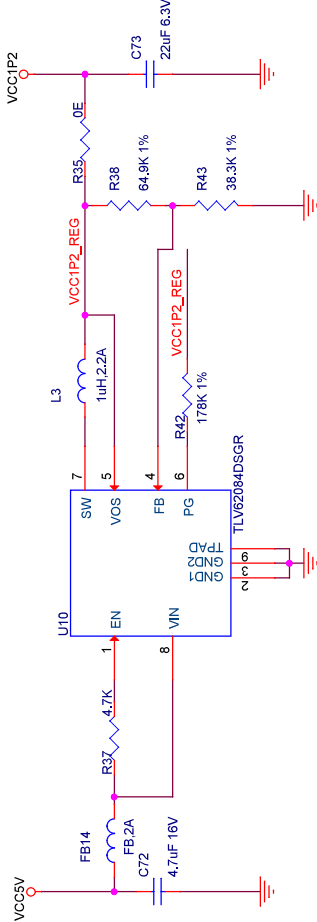


POWER REGULATORS

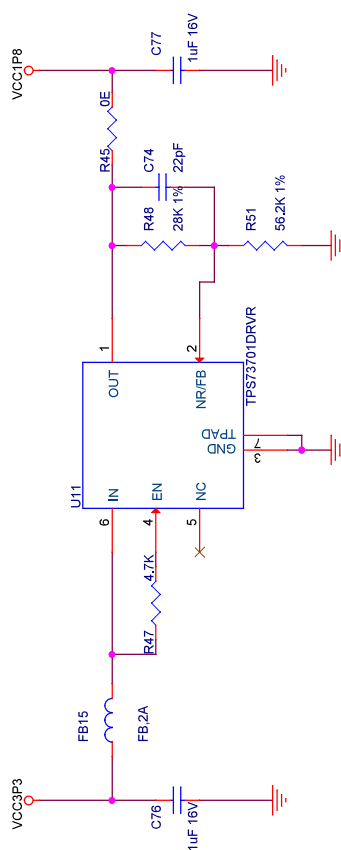
5V TO 3.3V SWITCHING REGULATOR (1A)



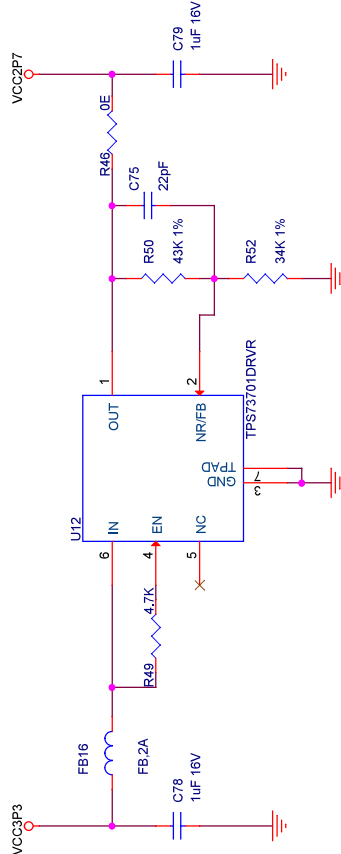
5V TO 1.2V SWITCHING REGULATOR (2A)



3.3V TO 1.8V LDO REGULATOR (1A)



3.3V TO 2.7V LDO REGULATOR (1A)



Assembly



**e-con Systems**  
Your Product Development Partner

Project Name See3CAM\_CU57\_M\_TC

Page Title POWER REGULATORS

Size B

Date: Friday, January 04, 2019

Sheet 8 of 9