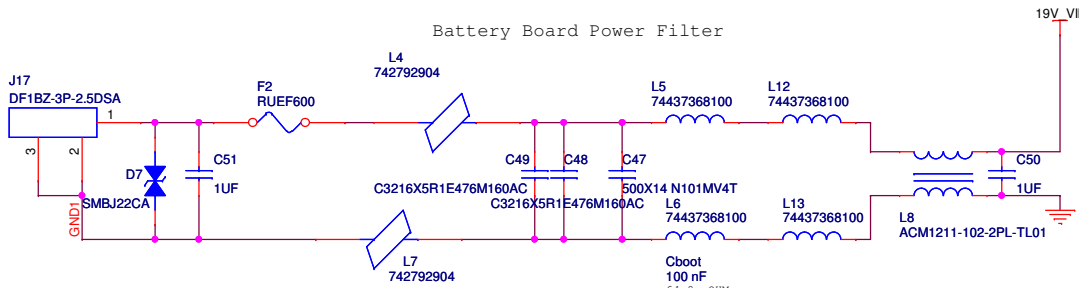


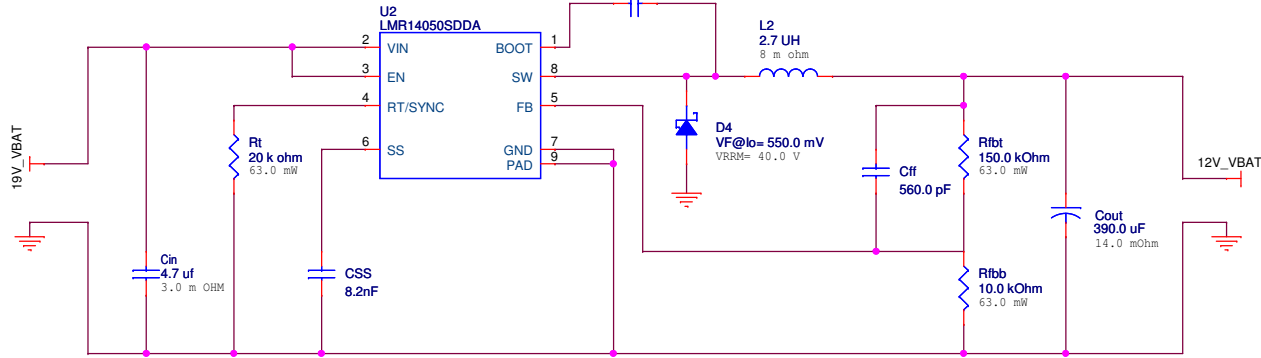
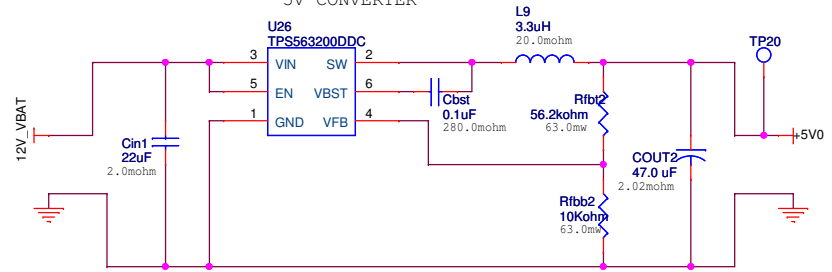
POWER MANAGEMENT

XXX Project Document No.
XXX rev 5

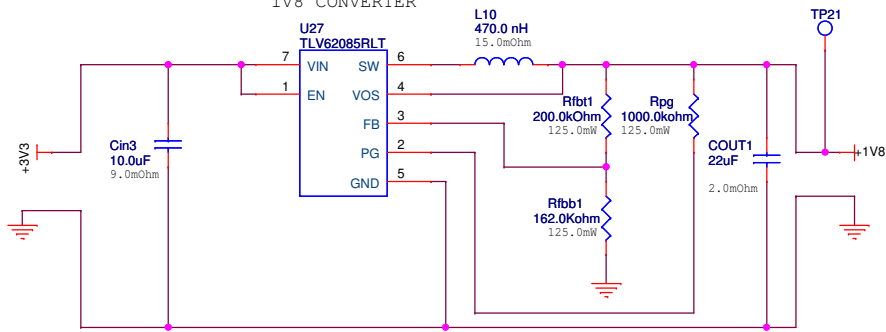
Battery Board Power Filter



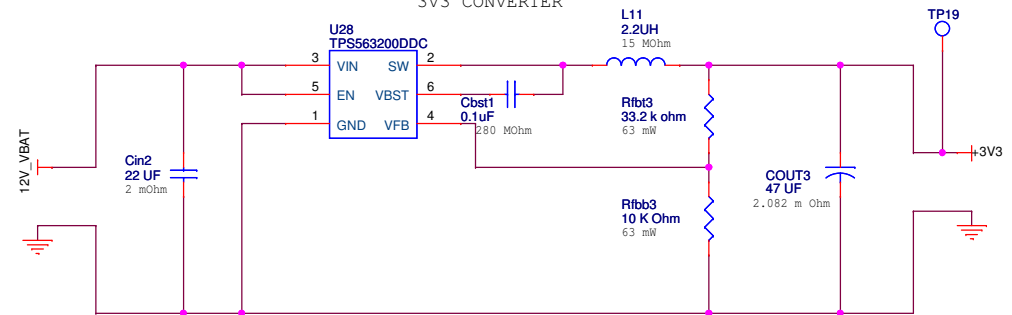
5V CONVERTER



1V8 CONVERTER



3V3 CONVERTER



Title		
BATTERY CHARGER		
Size	Document Number	Rev
B	<Doc>	REV 5
Date:	Monday, November 27, 2017	Sheet 3 of 3