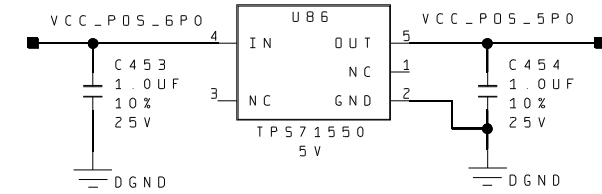
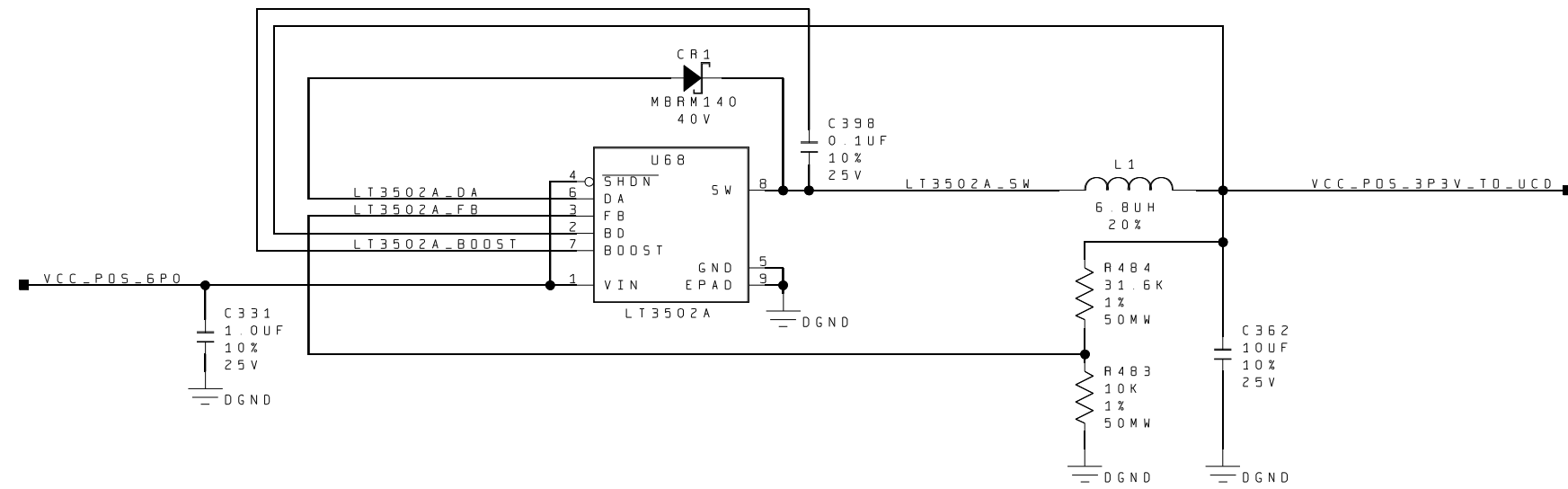
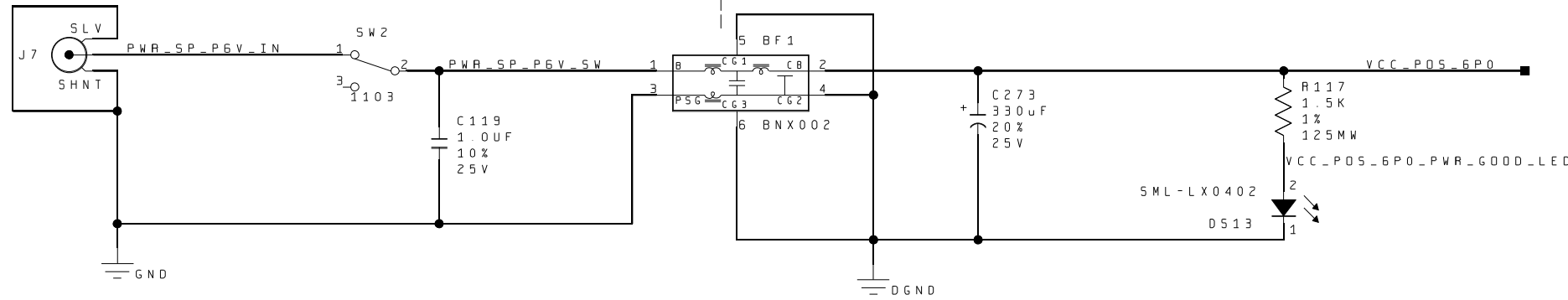
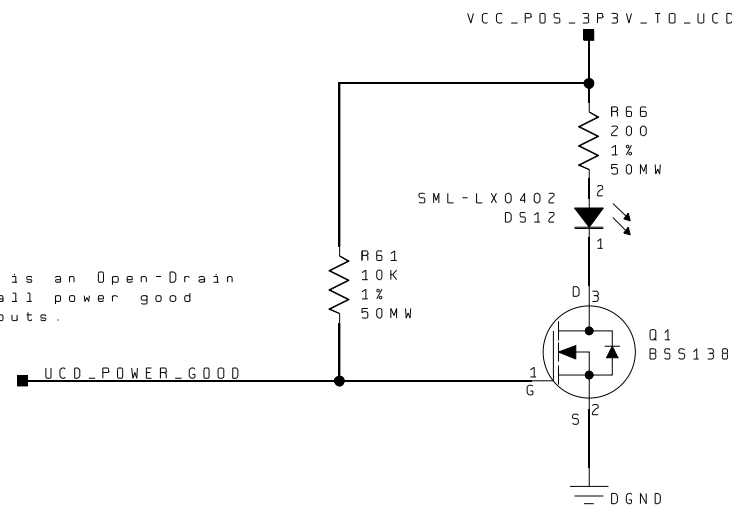


BOARD POWER INPUT, LDOs, and PMBUS

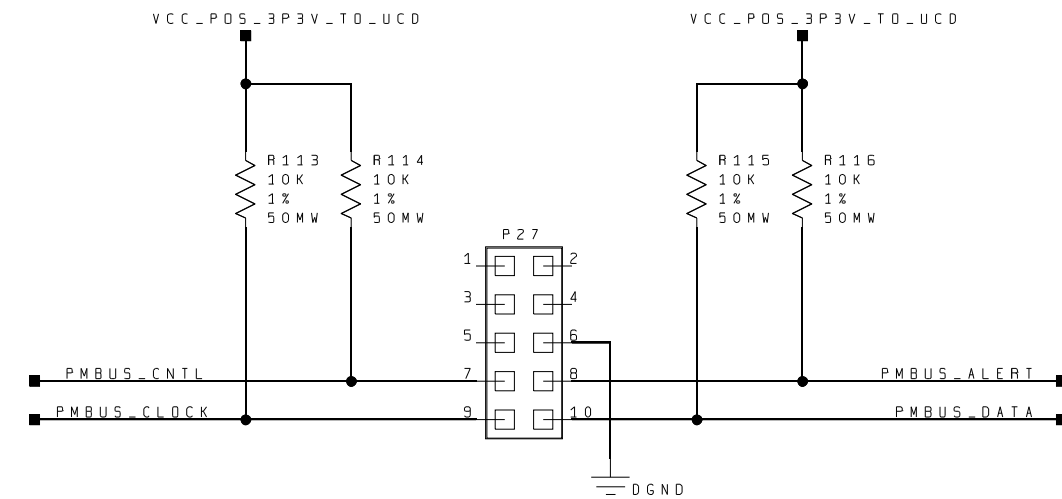
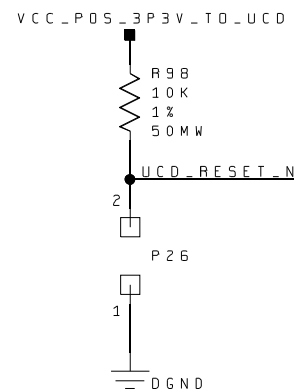
External AC-DC Supply:
WSU060-4000 4A @6V



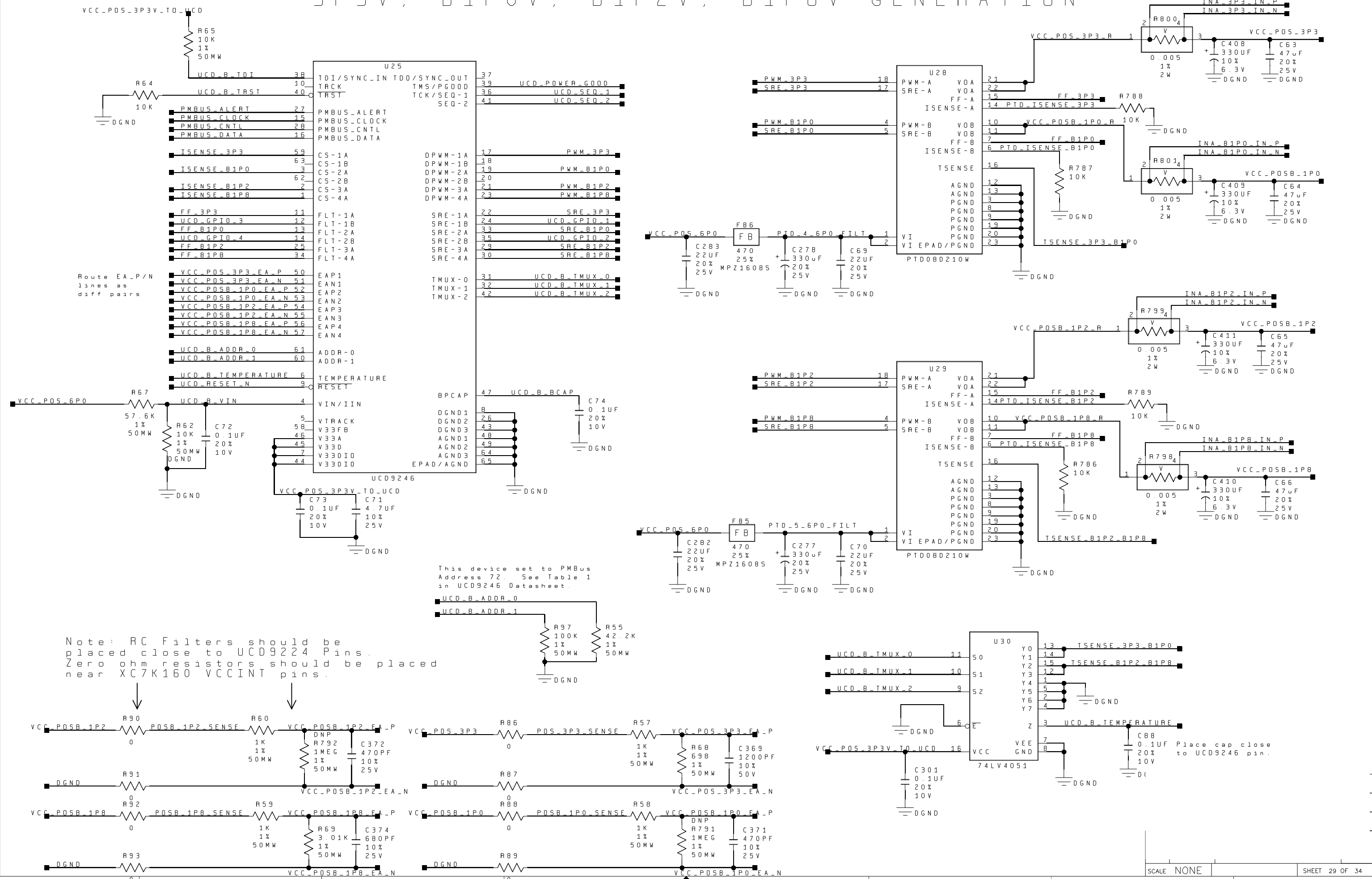
Power Good LED is an Open-Drain
Logical OR of all power good
controller outputs.



Place all UCD
controllers in
reset.



3P3V, B1P0V, B1P2V, B1P8V GENERATION



Note: RC Filters should be placed close to UCD9224 Pins. Zero ohm resistors should be placed near XC7K160 VCCINT pins.

This device set to PMBus Address 72. See Table 1 in UCD9246 Datasheet.

BUCK CONVERTER CURRENT SENSE AMPLIFIERS

Note: RC Filters should be placed close to UCD9246 Pins

NOTE: Current Sense INA
 Transconductance = V_o/I_r
 which is $(5m0hm) * (1 + 100k/R_g)$

