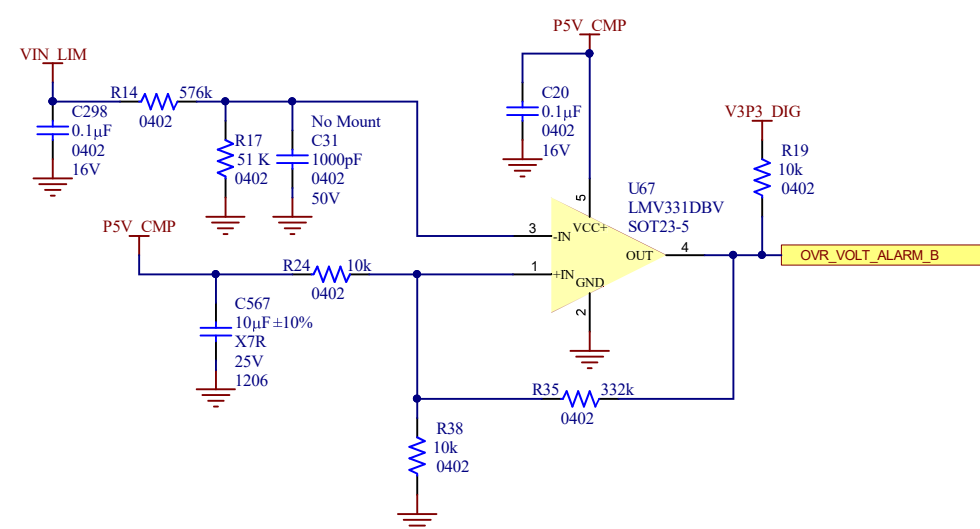
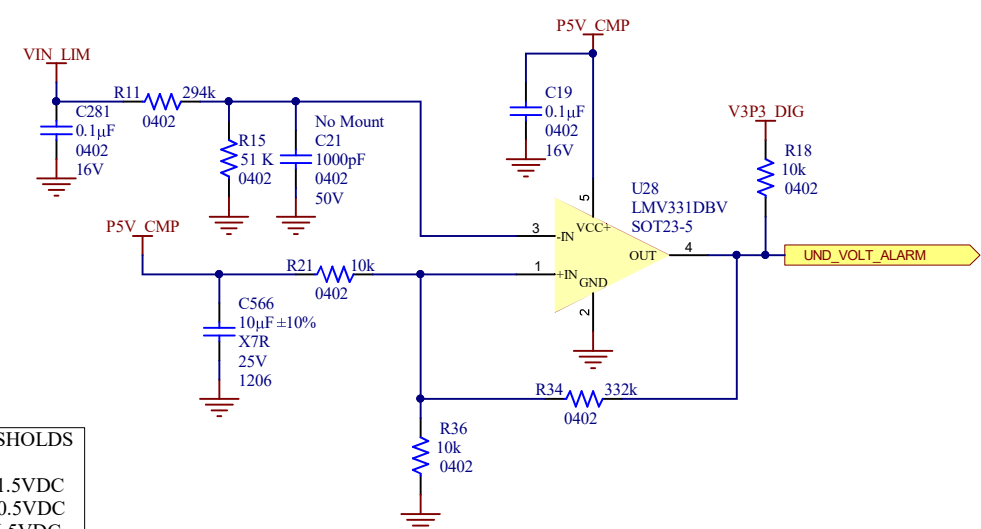
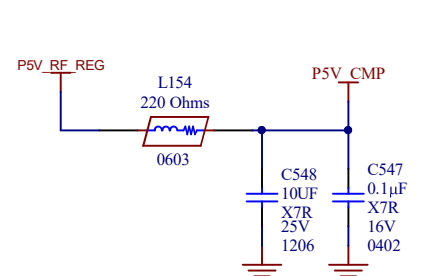
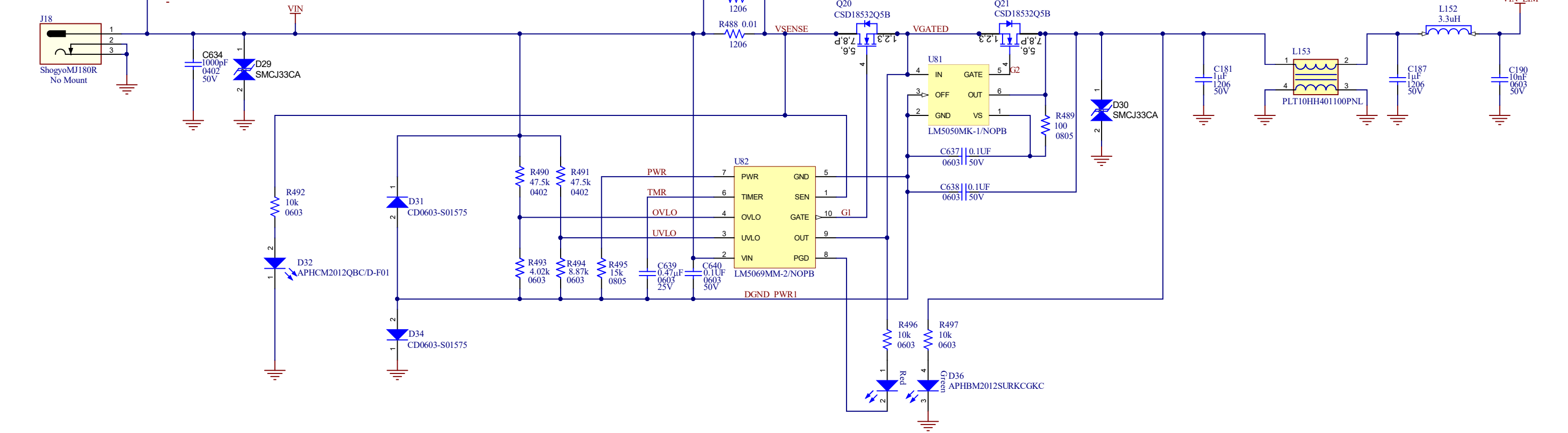
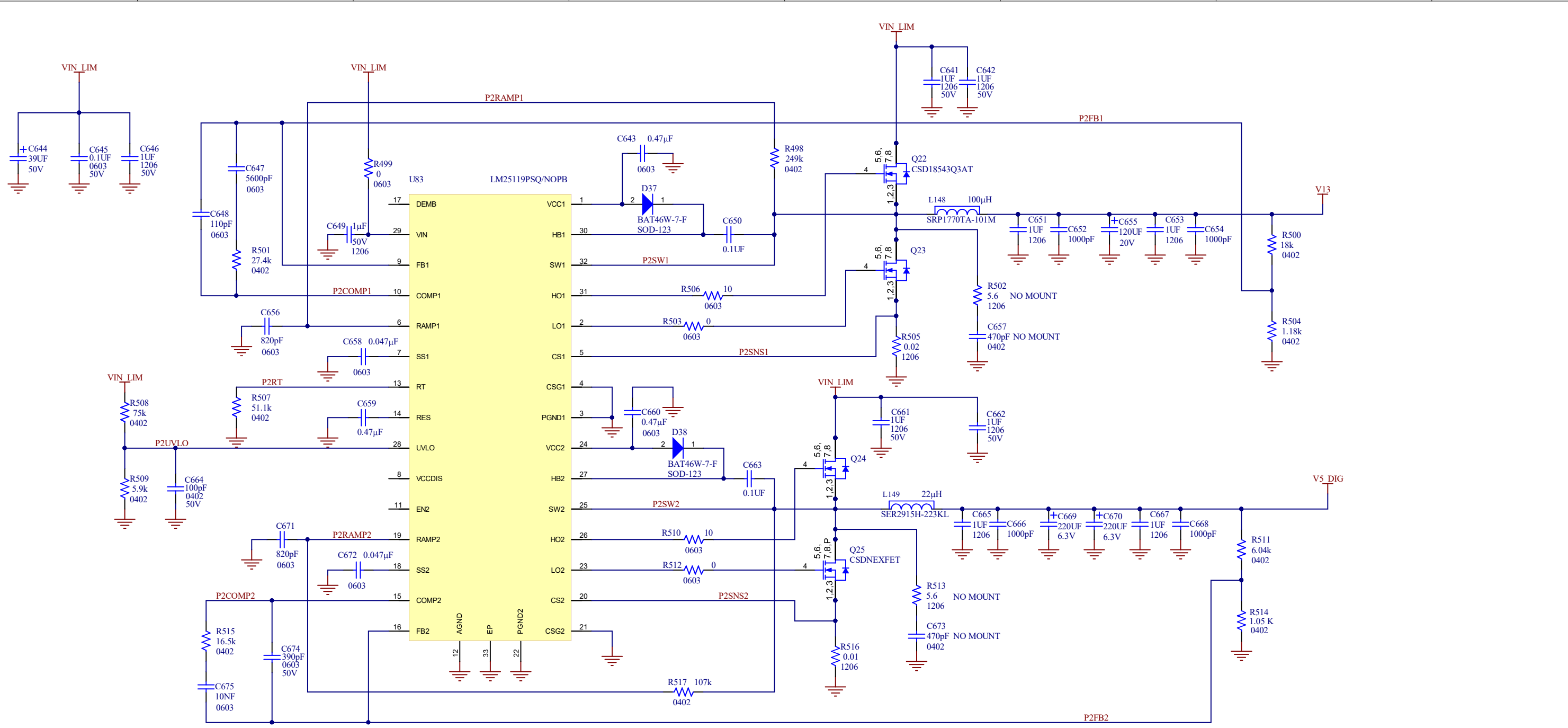


Vin nominal = 24VDC
 Vin max = 30VDC
 Vin min = 18VDC
 Vovlo = 31.5VDC
 Vuvlo = 16.5VDC

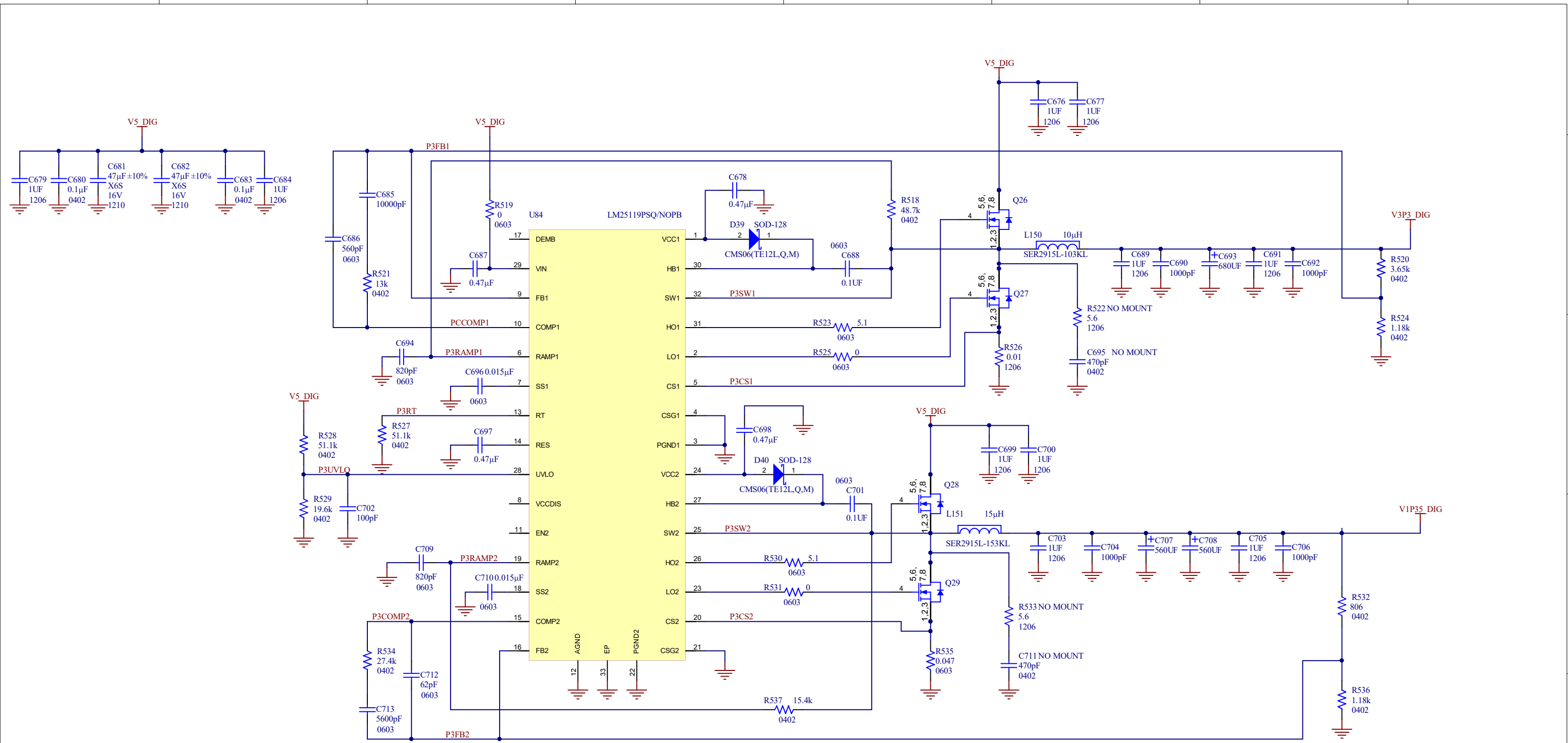


ALARM THRESHOLDS
 Vin max = 31.5VDC
 Vin max ret = 30.5VDC
 Vin min = 16.5VDC
 Vin min ret = 17.5VDC

CURRENT DATE/TIME	SIZE	DRAWING NO.	REV
12/17/2019 11:09:40 AM	B	78-8800-1969-6	R1
DOCUMENT NAME		SHT 2 OF 31	
78-8800-1969-6_PWR1.SchDoc			



CURRENT DATE/TIME	SIZE	DRAWING NO.	REV
12/17/2019 11:09:41 AM	B	78-8800-1969-6	R1
DOCUMENT NAME		SHT 3 OF 31	
78-8800-1969-6_PWR2.SchDoc			



CURRENT DATE/TIME	SIZE	DRAWING NO.	REV
12/17/2019 11:09:41 AM	B	78-8800-1969-6	R1
DOCUMENT NAME			
78-8800-1969-6_PWR3.SchDoc			SHT 4 OF 31