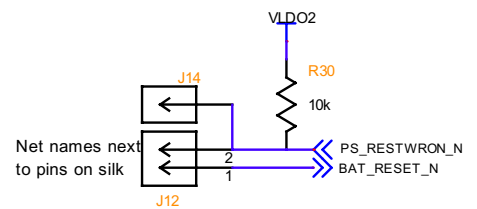
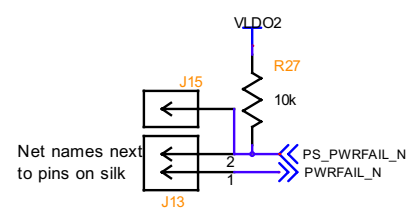
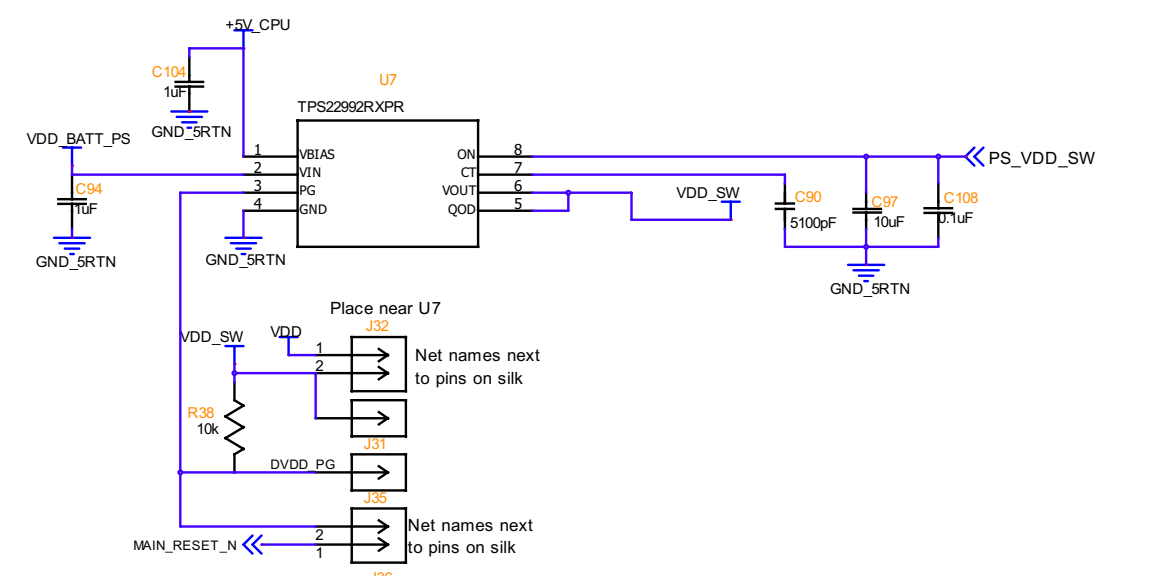
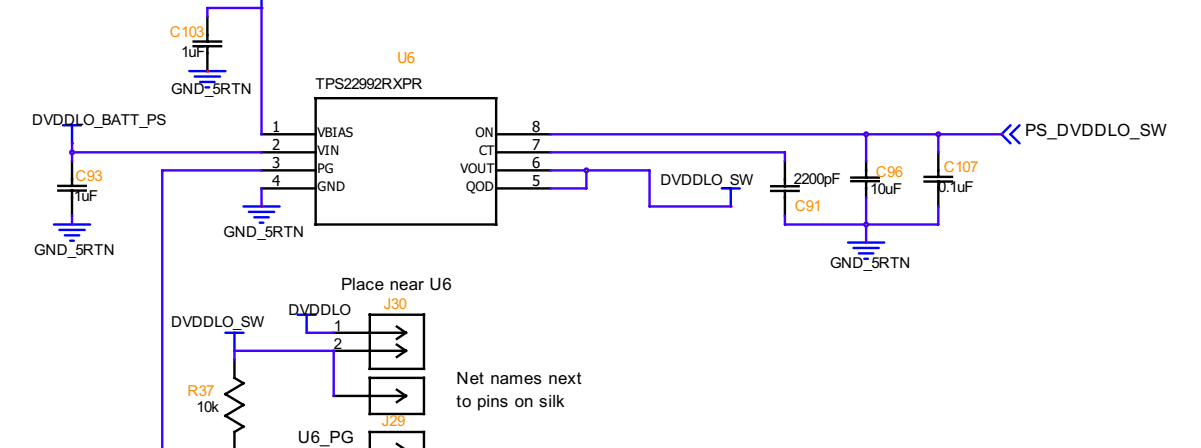
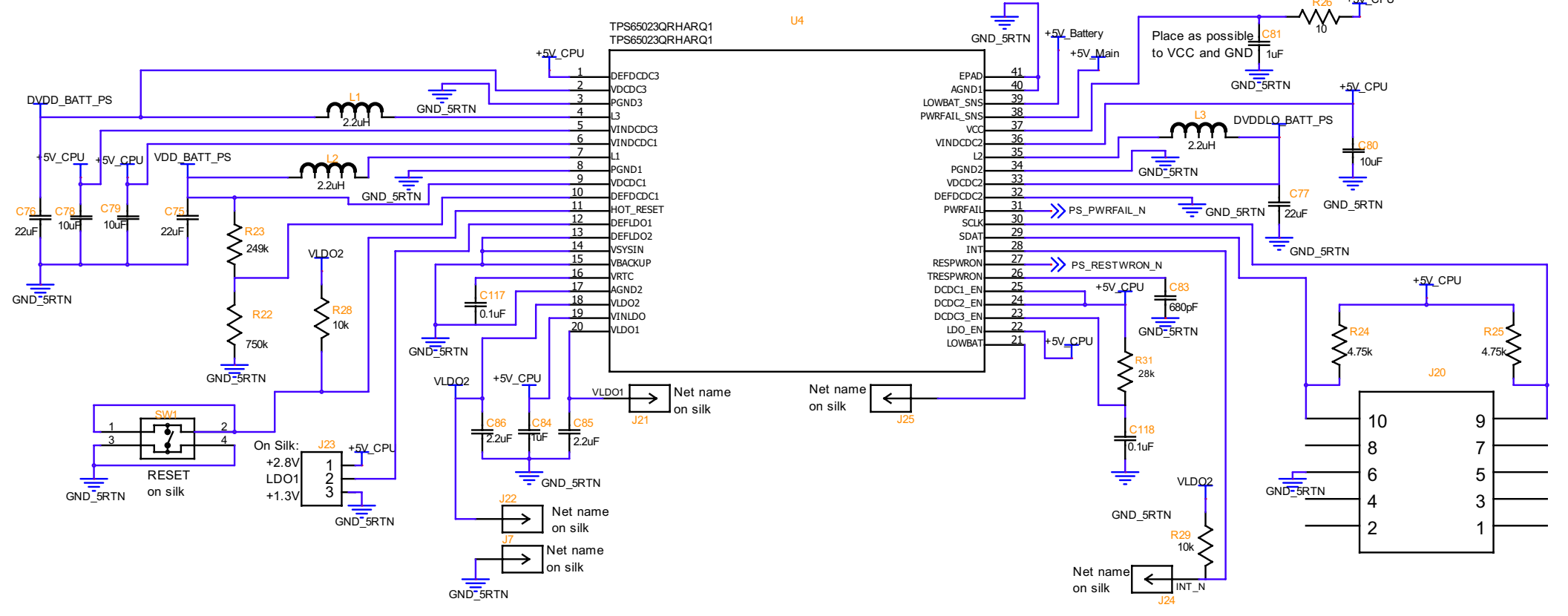
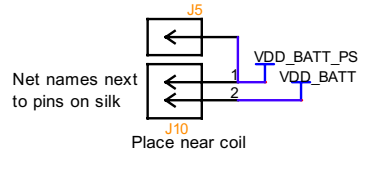
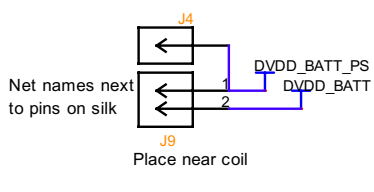
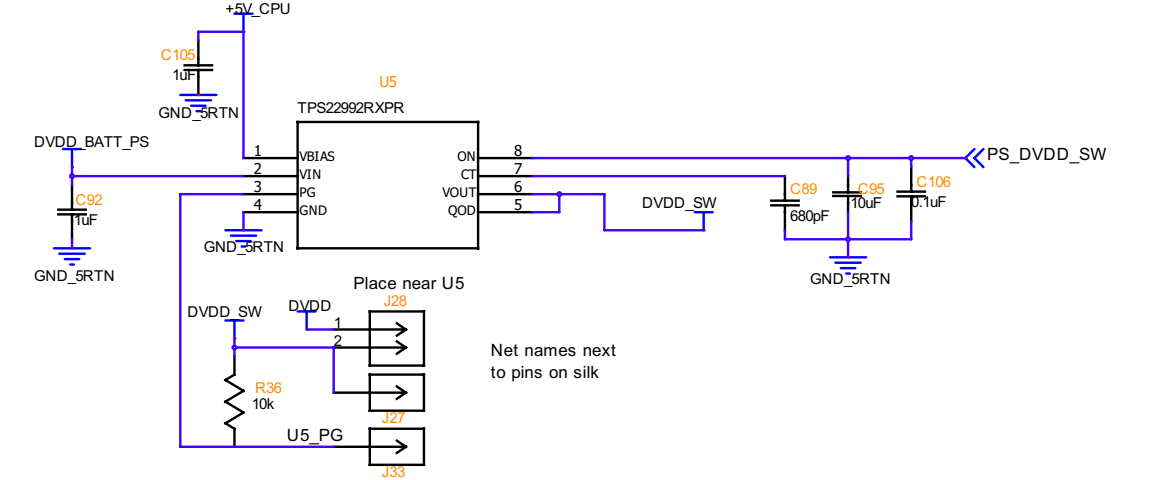
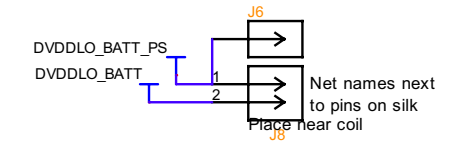
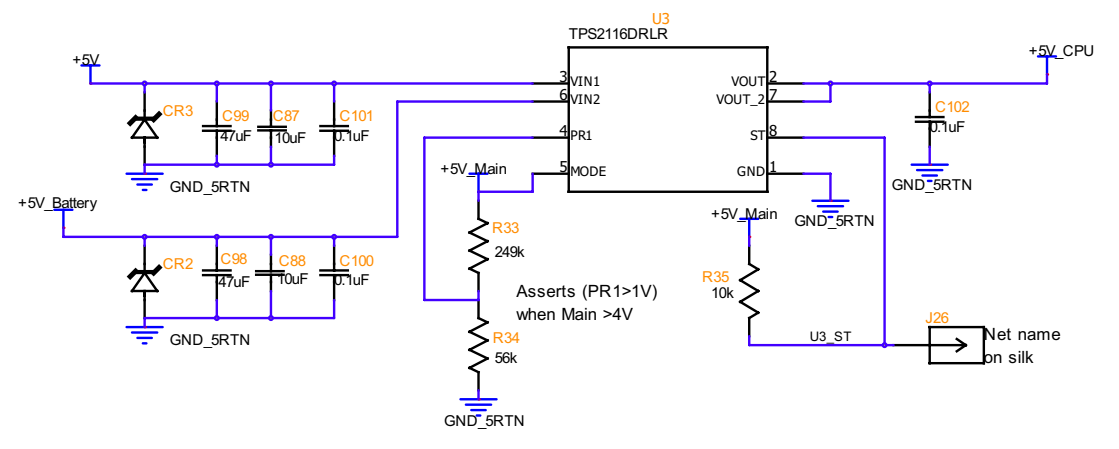


REVISIONS				
ZONE	LTR	DESCRIPTION	DATE	APPR.



CADENCE DESIGN SYSTEMS, INC.

**cadence**

THIS DOCUMENT CONTAINS INFORMATION PROPRIETARY TO CADENCE DESIGN SYSTEMS, INC. (CADENCE). USE OR DISCLOSURE WITHOUT THE WRITTEN PERMISSION OF AN OFFICER OF CADENCE IS EXPRESSLY FORBIDDEN. COPYRIGHT (C) CADENCE 1988.

DRAWING TITLE		DRAWING NO.	
SIZE	REV.	SHEET OF	
<b>C</b>			
SCALE			