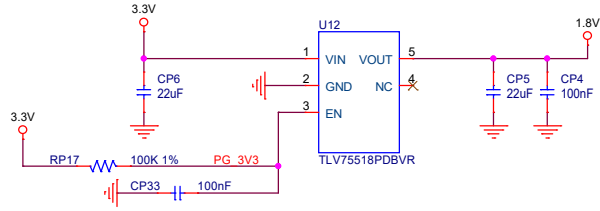
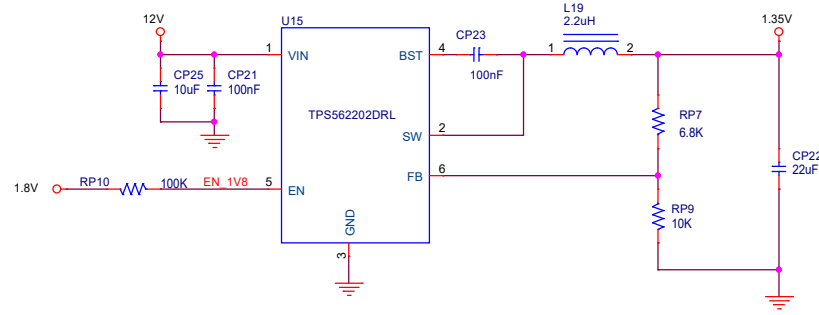


1.8V/0.5A



1.35V/2A



0.9V/15A

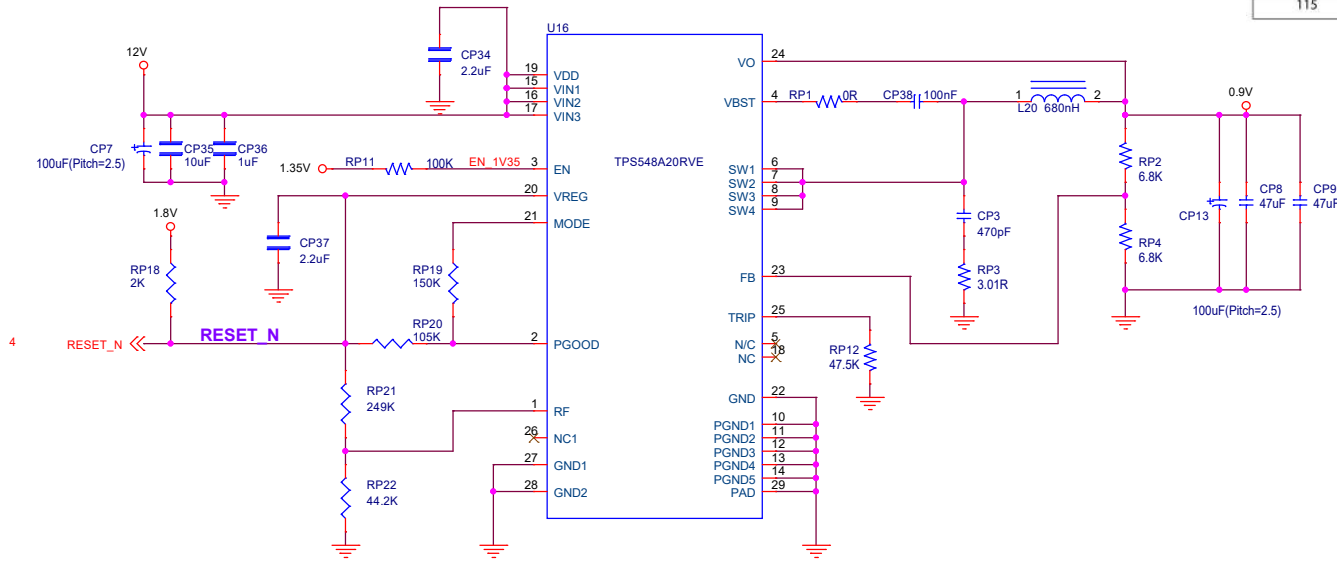


Table 30 Power and Current vs Temperature, 12Gb/s

Temperature °C	Maximum Current (A)				Power (W)	
	VDD-0.9 Digital	VDD-0.9 Analog	VDD-1.35	VDD-1.8	Worst-Case	Typical
60	3.2	5.4	1.7	0.05	10.5	9.4
70	3.5	5.5	1.7	0.05	10.9	9.6
80	3.9	5.6	1.7	0.05	11.4	9.8
85	4.2	5.7	1.7	0.05	11.6	9.9
90	4.4	5.8	1.7	0.05	11.9	10.0
95	4.7	5.8	1.7	0.05	12.3	10.1
100	5.1	5.9	1.7	0.05	12.7	10.3
105	5.5	5.9	1.7	0.05	13.1	10.5
110	5.9	6.0	1.7	0.05	13.5	10.6
115	6.4	6.0	1.7	0.05	14.0	10.9