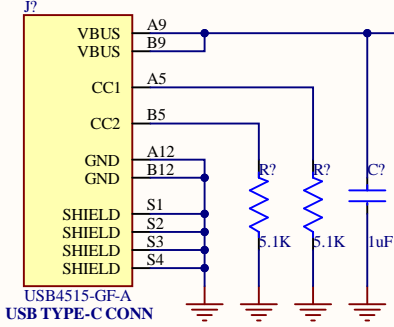
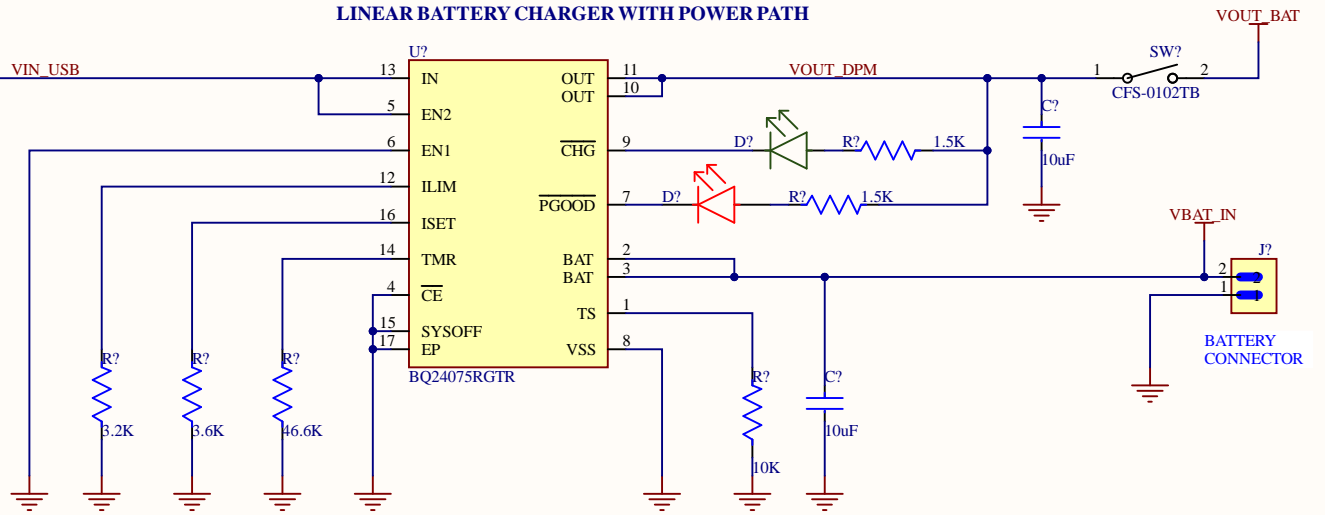


POWER MANAGEMENT AND BATTERY MONITORING SECTION

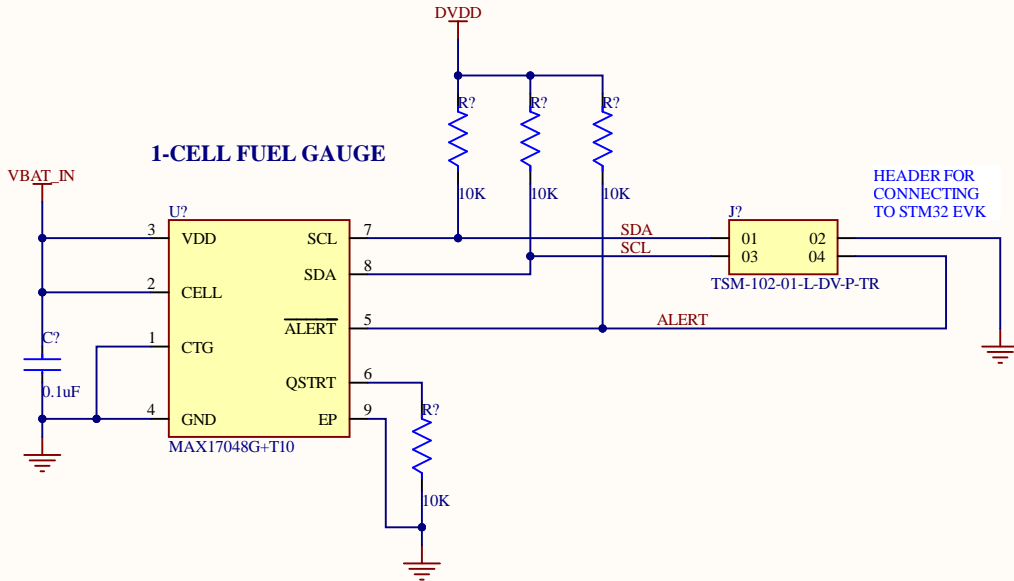
SUPPLY INPUT



LINEAR BATTERY CHARGER WITH POWER PATH



1-CELL FUEL GAUGE



Title		
Size A4	Number	Revision
Date:	12/29/2025	Sheet of
File:	C:\Users\...\Power_Entry.SchDoc	Drawn By:

Comment	Description	Designator	Footnote	Subst	Quantity
0.1uF	003D 0.1UF 16V 15% Tolerance XOR SMT Multilayer Ceramic Capacitor	C7	FP-CC0603-DA- PC-A	CC0603K9X7R7B 104	15
0.47uF	10V 470P X7R 10% 0603 Multilayer Ceramic Capacitor MLCCC SMD SMT 820US	C7	FP-CL10-PC-A	CL10B470K08NN C	4
1uF	003D 1UF 16V 10% Tolerance XOR SMT Multilayer Ceramic Capacitor	C7	FP-0603A_1_8_0_1	0603A180K100KAT	5
2.2uF	Electronic Component Multilayer Ceramic Capacitor MLCCC 10V 2.2uF 15% 10% T.C. 2.2uF Surface Mount 0603 inch	C7	FP-CL10-PC-A	CL10B225P08NN C	1
4.7uF	003D 4.7UF 25V 10% Tolerance XOR SMT Multilayer Ceramic Capacitor	C7	FP-GRM184-1S PC-A	GRM184R1E47K E1D	1
8.2uF	Chip Ceramic 8.2P 10V 0603 20uF Pkg (M) 0603 ECC 1.0	C7	FP-CL10-PC-A	CL10C820K08NN C	2
10uF	10UF 250V 10V Ceramic Capacitor XOR 0603 (1608 M03)	C7	FP-0603A_1_8_0_1	0603A180K100KAT	2
10uF	10UF 250V 10V Ceramic Capacitor XOR 0603 (1608 M03)	C7	FP-GRM184-1S PC-A	GRM184R1E100K E5D	4
220nF	0603 220 pF 50 V 25 % Tolerance NPO SMT Multilayer Ceramic	C7	CAPC1608060304AL -10720	CC0603RNP0603N 221	1
GREEN	LED Un-Cool Green 560nm 2-Pin Chip LED T8B - LED GREEN CLEAR 0603 SMD	D7	FP-LTST-C1910K15- MFG	LTST-C1910K15	1
RED	LED Un-Cool Red Red 620nm 2-Pin Chip LED T8B - LED RED CLEAR 0603 SMD	D7	FP-LTST- C1910K15-MFG	LTST-C1910K15	1
LS L296-G12-1-0-2 R16-Z	Single Color LED Super Red Colorless Diffused Chip	D7	FP-LE_L296MFG	LS L296-G12-1-2	2
ST-CONN	Connector Header Surface Mount Right Angle 2 Positions 1.00 Pitch 0.80mm	J7	ST_S2B-PH-SMA- TB	S2B-PH-SMA-TB	1
SEAM-10-S02-D-X- R03	SEAM Series 0.80 mm 50 Pin 2.54mm Pitch Surface Mount High-Speed High- Density Open-Pin Ball Array Terminal	J7	SEAMTEC_SEAM- 10-S02-D-X-03	SEAM-10-S02-D-X- R03	4
TBM-102-01-L-DV-F TR	Connector Header Surface Mount 4 Positions 1.50 Pitch	J7	SEAMTEC_TBM-102- 01-L-DV-F-TR	TBM-102-01-L-DV-F- TR	1
USB415-GF-A	USB Connector 6 Conductors Female Right Angle Surface Mount Terminal Locking Receptacle	J7	SEAMTEC_USB415-GF- A-REVA	USB415-GF-A	1
0.01	Power Inductor MAGNOLIA 2020P/NL SMT, 18x8, Lead- less, Inductance	L1	IND_LPS401B- 103MRC	LPS401B-103MRC	1
BSJ-1000P	Switch Tactile NO. SPST Round Button Switch T8B 1000C 2000000cycles 1.8A SMD Embossed TR	SB7	FP-BSJ-1000P- MFG	BSJ-1000P	1
0	SMD Chip Resistor Surface Mount 100 kOhm 0603 (1608 M03) Thick Film General Purpose	R	RES0603060300R -1075	RC06030603002EA	2
1.0K	Chip Thick Film Resistor 100Ppm 0.1% 1.0K 0603 Chip Resistor Surface Mount 0603	R7	FP-RC0603-0.55- PC-A	RC0603JR-0710KL	4
1.2K	Thin Film Resistor T8B Pin 0.100 1000pm 75V 0.1% w/CoT 25ppm/Cat. Surface Mount 0603	R7	FP-RC0603-0.55- PC-A	RT0603BRD073KL	1
1.3K	Thin Film Resistor 1.3K Ohm 1% 0.100mm x 0.100mm SMD T8B Automotive AEC- Q200	R7	FP-RC0603-0.55- PC-A	HMCFA03FT3K3	1
1.8K	Thin Film Resistor 1.8K Ohm 0.5% 0.100mm x 0.100mm SMD Pad SMD Automotive T8B	R7	FP-RC0603-0.55- PC-A	09UJ-SGE1282V	1
1.1K	Thin Film Resistor 1.1K Ohm 1% 0.100mm x 0.100mm SMD Pad	R7	FP-RC0603-0.55- PC-A	RC0603FR-0710KL	2
1.8K	Thin Film Resistor 1.8K Ohm 1% 0.100mm x 0.100mm SMD Pad	R7	FP-RC0603-0.55- PC-A	RC0603FR-0710KL	1
1K	Chip Thick Film Resistor 1000pm 0.1% 1000pm Chip Resistor - Surface Mount 0603	R7	FP-RC0603-0.55- PC-A	RC0603FR-0710KL	16
46.4K	Thin Film Resistor 46.4K Ohm 1% 0.100mm x 0.100mm SMD Pad	R7	FP-RC0603-0.55- PC-A	RC0603FR- 07464K	1
0.01020TB	Switch CMOS 0.01020TB	SW7	SWZ_CPS 01020TB_NEC	CFB-01020TB	1
TMUX1104DQSR	1uA on-state leakage current, 5-V, 1.1-channel precision multiplexer 10-VBSOP -40 to 125	D	FP-DQSR010A- PC-A	TMUX1104DQSR	1
TMUX1108PWR	5-V & 2.5-V low- leakage current, 8:1 precision multiplexer 16-VBSOP -40 to 125	D LP	FP-PWR010A- PC-A	TMUX1108PWR	5
AD2418CPZRL7	IC:OP Active 5- 82CC:HA8 IC:OP:TRM, analog level and circuit element 80C 8-pin DIP	J7	FP-CP-48-4-PC-A	AD2418CPZRL7	1
AD2444RMZ	IC:OPAMP 2FEY 4- 2800:UT 10MOP 4 FEY Amplifier 4- Channel Rail-to-Rail CMOS	J7	FP-RM-10-PC-A	AD2444RMZ	2
BQ24075RQTR	Transceiver 1-Cell 1.5-A Peak Slewrate Peak, 4.2-V VBAT with 3.3-V VDDT, 14- IOLN, 45-ns Tr	J7	FP-RTT010C- PC-A	BQ24075RQTR	1
LT3531EDCWTRP BF	High-Speed Voltage Regulator 200mA Buck-Boost Switch Converter in 3x3 Pin	J7	LT3531EDCWTRP BF	LT3531EDCWTRP BF	1
MAX1748EG-T10	10uA 1-Cell 2-Cell Fuel Gauge with Fuel Gauge Accuracy	J7	SCNMP05000009 -D-9N	MAX1748EG-T10	1
NCP163AN30T1 G	Fixed Voltage Regulator 2- Terminal Fixed 1 Output 200mA SOT- 23	J7	SC79P200X145- 9N	NCP163AN30T1 G	2
SH74VC1624B7 SEA	Single Inverter 5- 100ns tPLH, 100-ns Crystal T8B	J7	SC79P200X145- 9N	SH74VC1624B7 SEA	1
HMNz	100nm 100-ns 1-Pinpm (350ns) 1-Pinpm (100-ns) Pin Ultra-Micro BGA Pin	J7	FP-ABM-MFG	HMN-10-000M2-1- L1T	1