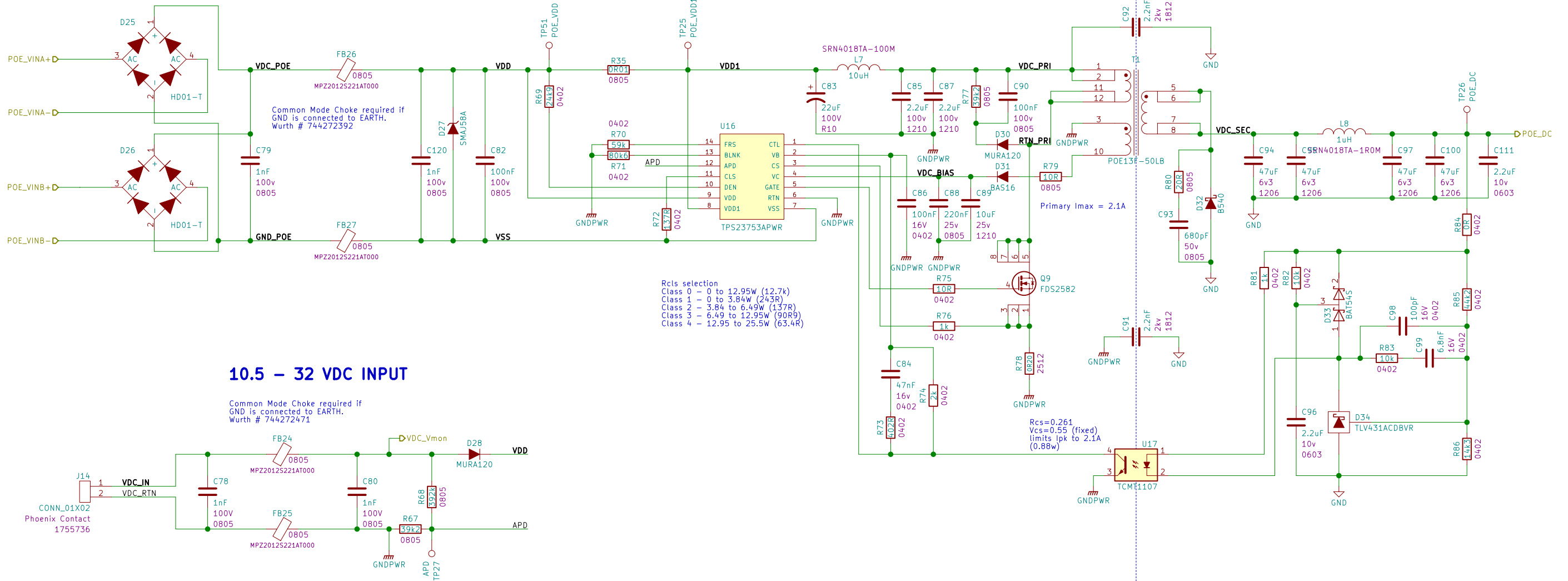
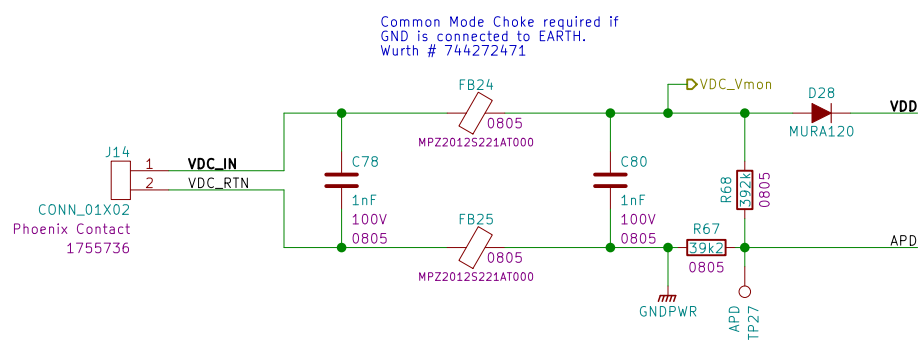


### 48 VDC POE circuit

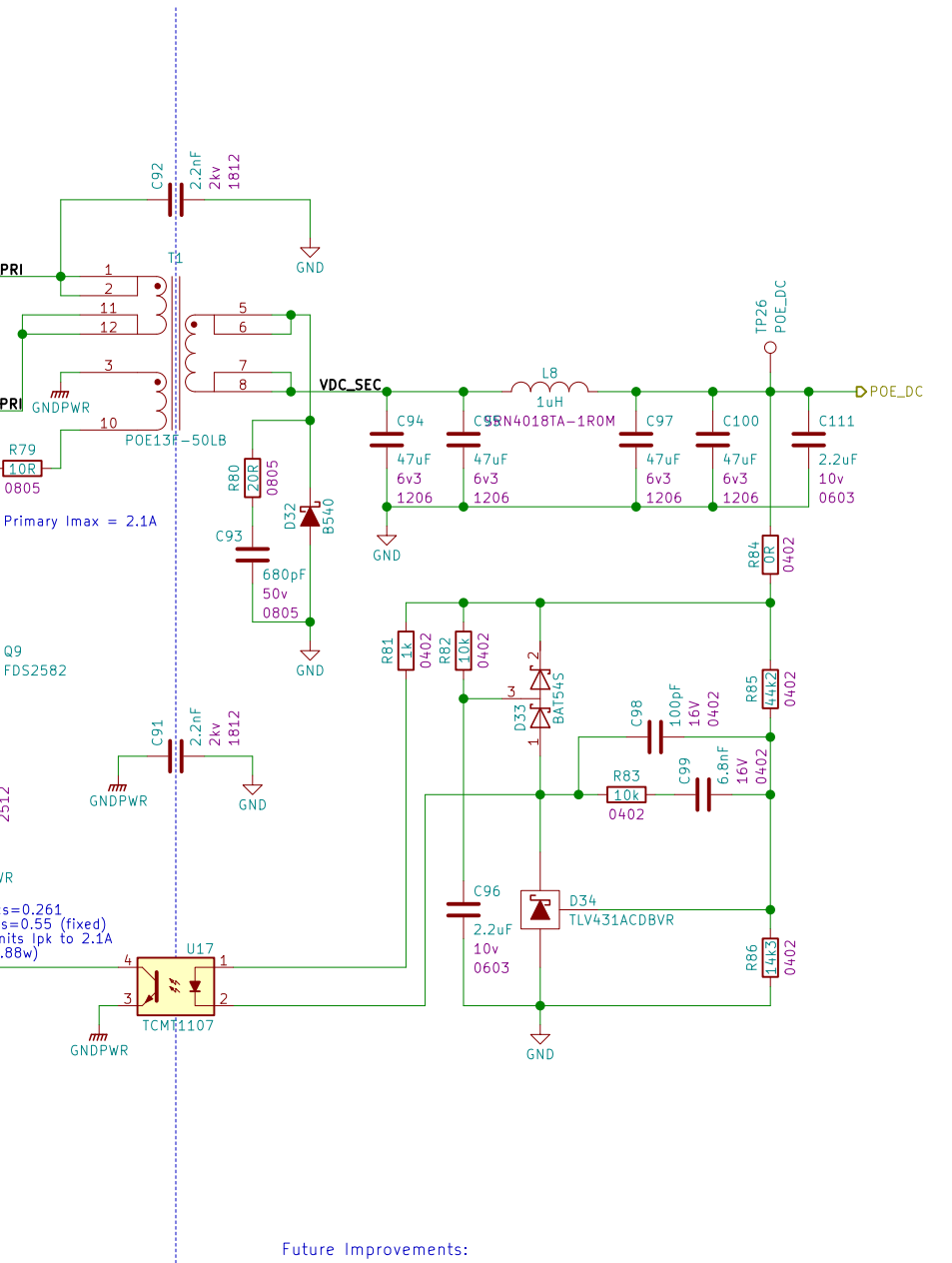


### 10.5 - 32 VDC INPUT



power supply protection  
 \*under-voltage (10.5V)  
 \*over-voltage (32V)  
 \*reverse polarity

### 2kV Isolation Barrier



Future Improvements:

Designed by Kyran McGlasson		
SAGE Automation		
Sheet: /Power/		
File: power.sch		
<b>Title: Addinsight Omnia Basic</b>		
Size: A3	Date: 2018-09-03	Rev: 4.0
KiCad E.D.A. kicad 4.0.7		Id: 2/12