

5

4

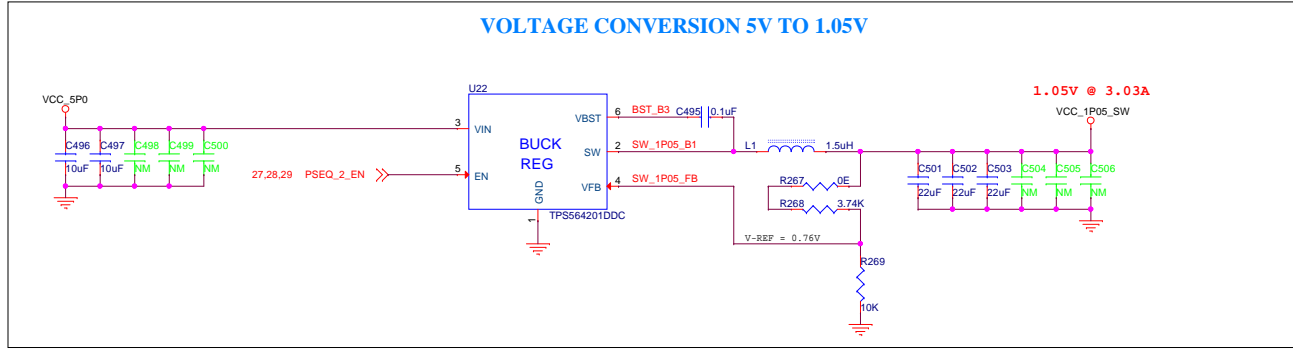
3

2

1

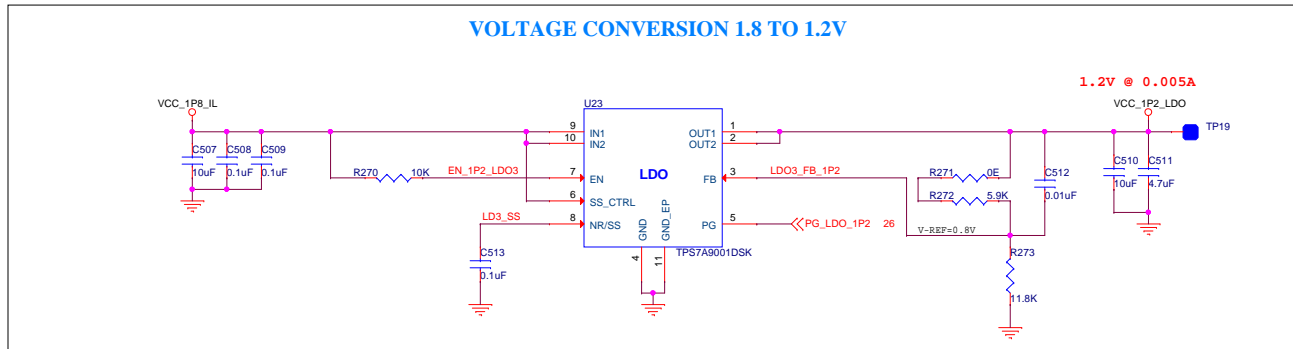
D

D



C

C



B

B

A

A

5

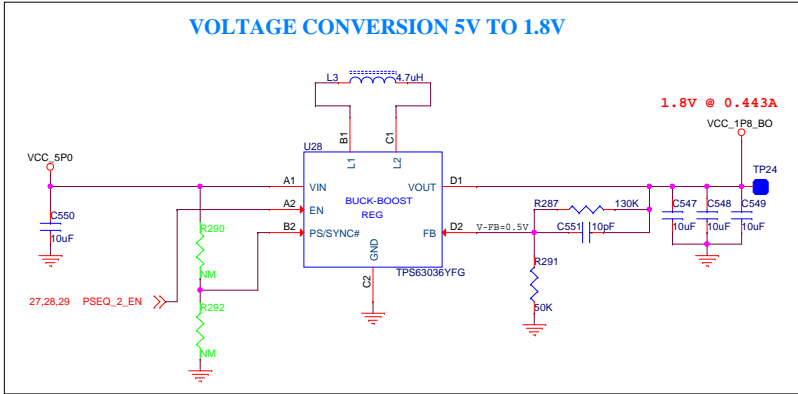
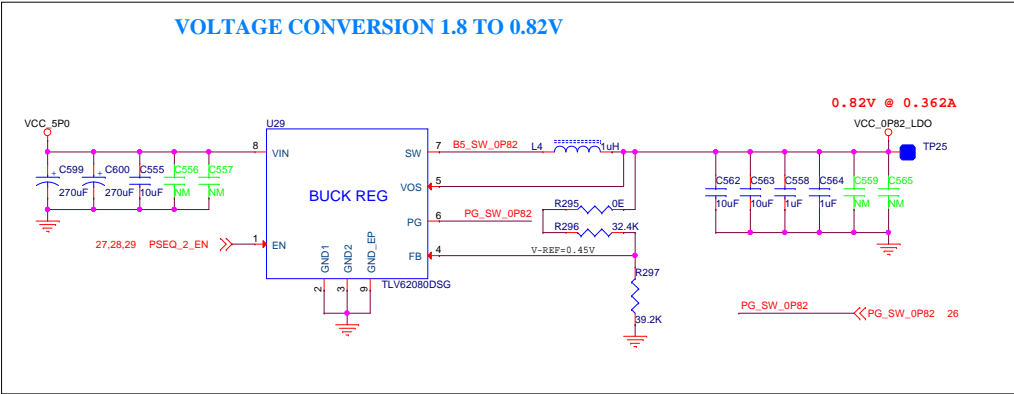
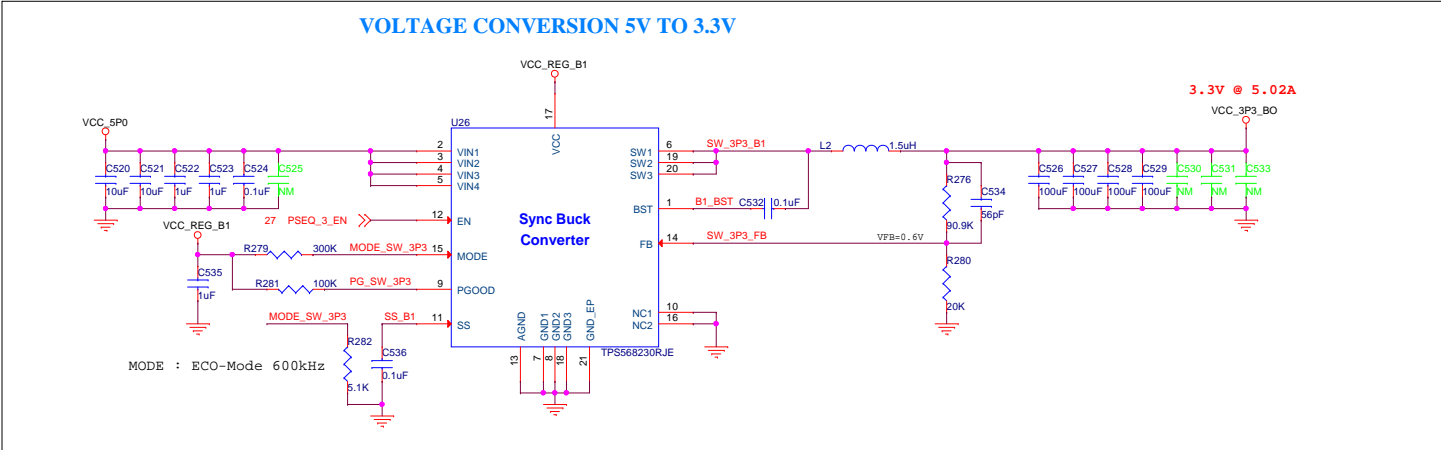
4

3

2

1

Title	<Title>	
Size	Document Number	Rev
A3	<Doc>	
Date:	Thursday, April 20, 2023	Sheet 1 of 1



Title	<Title>	
Size	Document Number	Rev
A3	<Doc>	
Date:	Thursday, April 20, 2023	Sheet 1 of 1

5

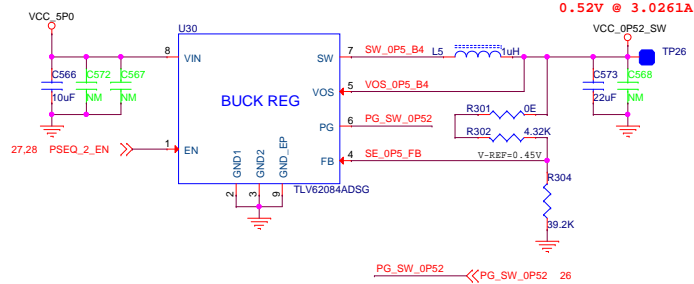
4

3

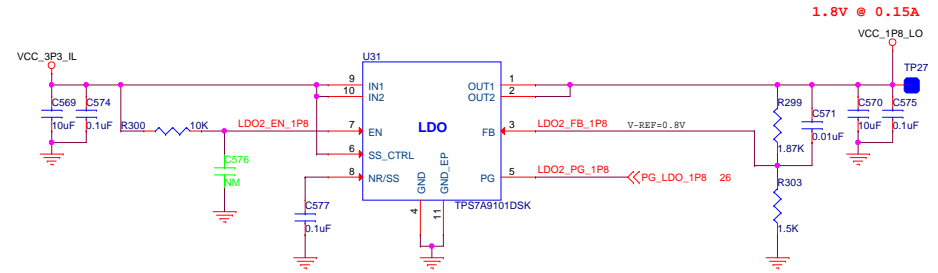
2

1

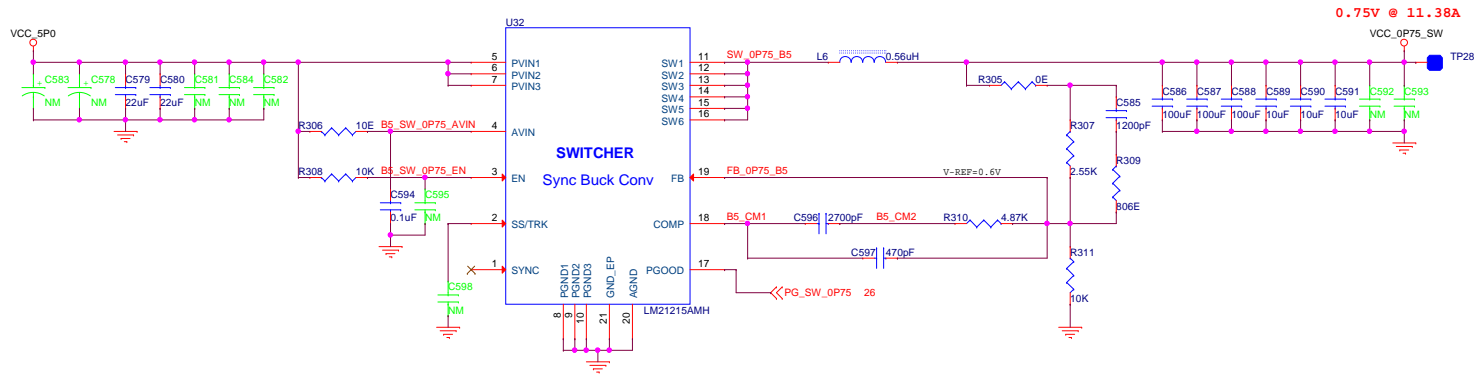
VOLTAGE CONVERSION 5V TO 0.52V



VOLTAGE CONVERSION 3.3V TO 1.8V



VOLTAGE CONVERSION 5V TO 0.75V



Title	<Title>	
Size	Document Number	Rev
	A3	
Date:	Thursday, April 20, 2023	Sheet 1 of 1

5

4

3

2

1

5

4

3

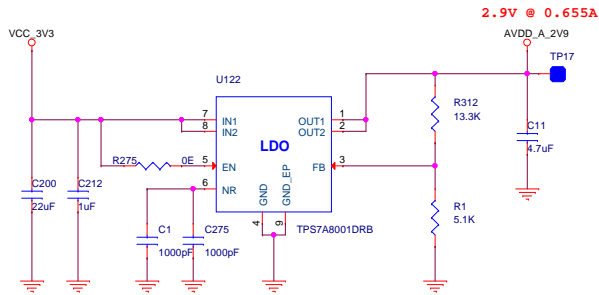
2

1

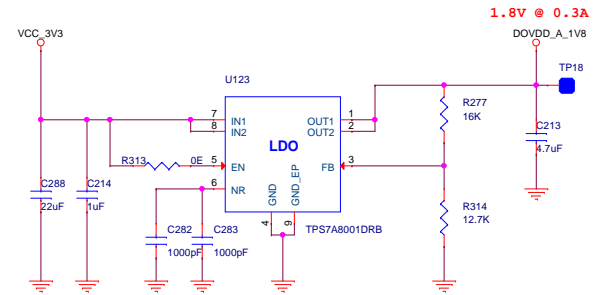
D

D

VOLTAGE GENERATION 3.3 TO 2.9V



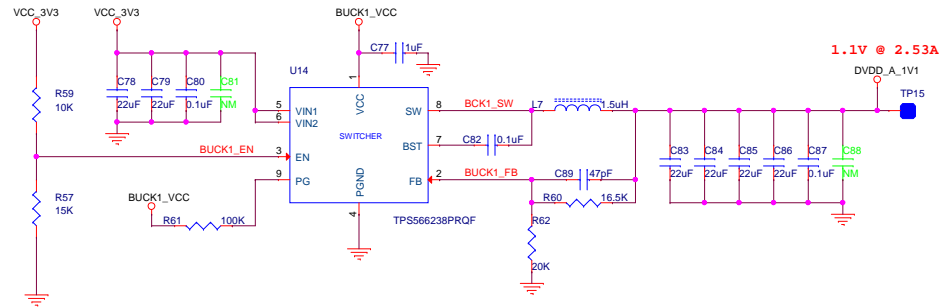
VOLTAGE GENERATION 3.3 TO 1.8V



C

C

VOLTAGE GENERATION 3.3 TO 1.1V



B

B

A

A

5

4

3

2

1

Title		
<Title>		
Size	Document Number	Rev
A3	<Doc>	<Rev>
Date:	Thursday, April 20, 2023	Sheet 1 of 1

5

4

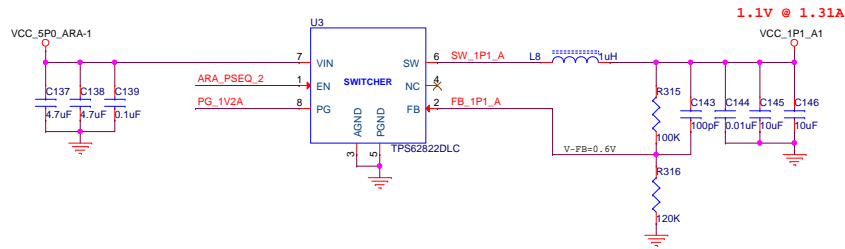
3

2

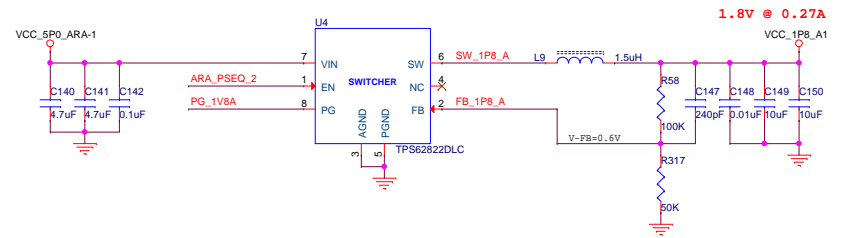
1

D

VOLTAGE CONVERSION 5V TO 1.1V

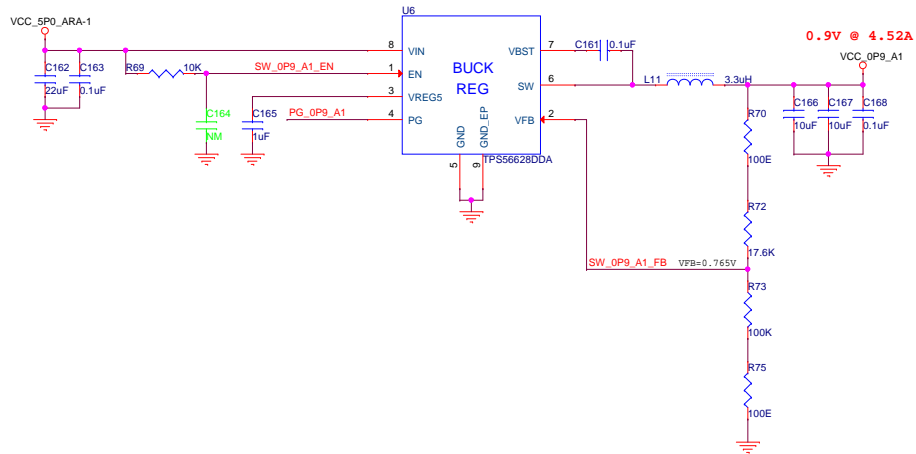


VOLTAGE CONVERSION 5V TO 1.8V

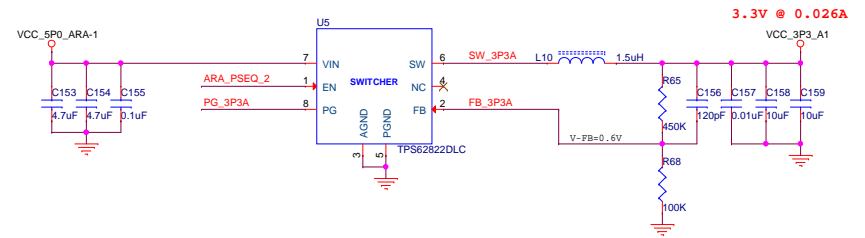


C

VOLTAGE CONVERSION 5V TO 0.9V



VOLTAGE CONVERSION 5V TO 3.3V



B

A

5

4

3

2

1

D

C

B

A

Title		<Title>
Size	Document Number	Rev
A3	<Doc>	<Rev>
Date:	Thursday, April 20, 2023	Sheet 1 of 1