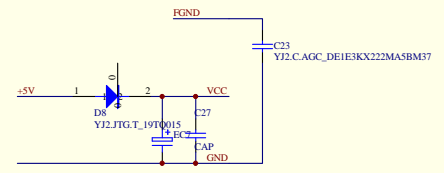
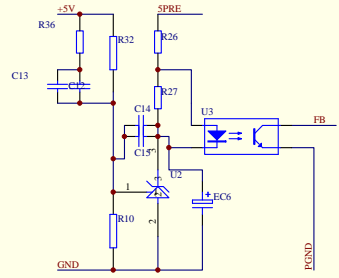
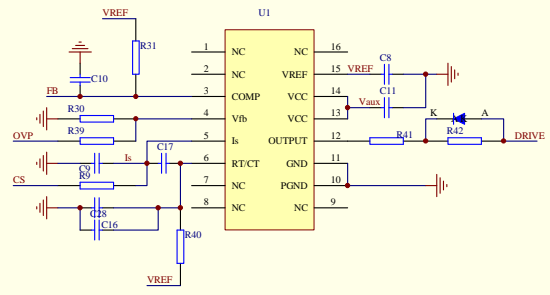
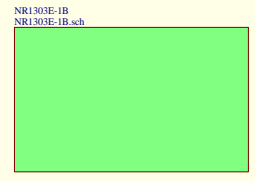
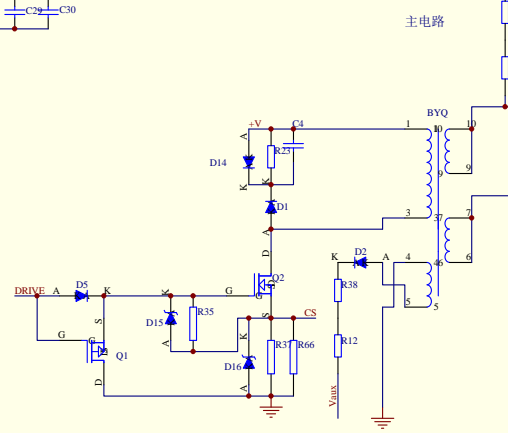
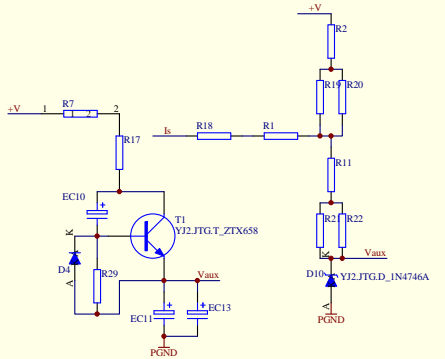
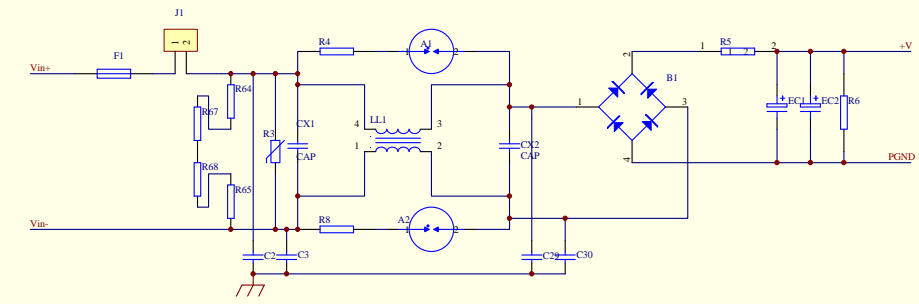


NR1303-5-20140521
 NAME: NR LOGO-NR
 ESD: ESD LOGO-ESD
 NAME: NR LOGO-NR
 ESD: ESD LOGO-ESD
 BAR CODE: BAR CODE
 BAR CODE: BAR CODE
 DFM0 MARK: DFM0 MARK
 DFM1 MARK: DFM1 MARK
 DFM2 MARK: DFM2 MARK
 DFM3 MARK: DFM3 MARK



| | | |
|-------|--|----------|
| Title | | |
| Size | Number | Revision |
| A3 | | |
| Date: | 9-Mar-2017 | Sheet of |
| File: | E:\NR-RD\NR-RD\2015\project\NR13系列\NR1303-5\NR1303-5.dwg | |