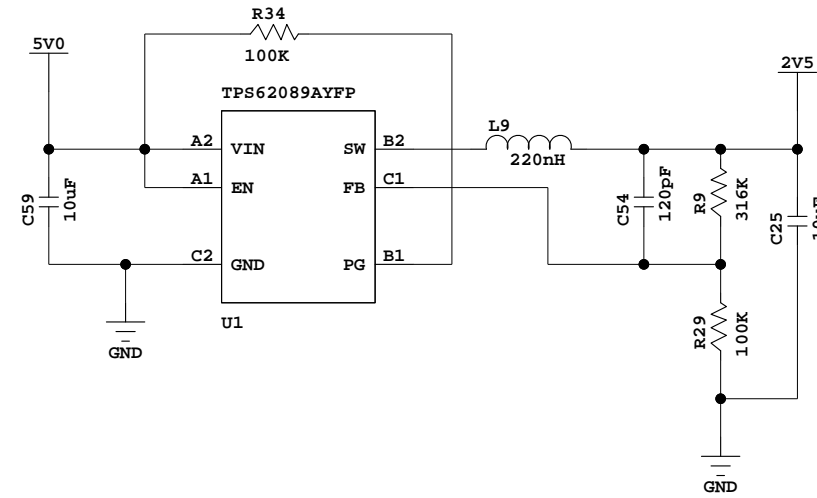
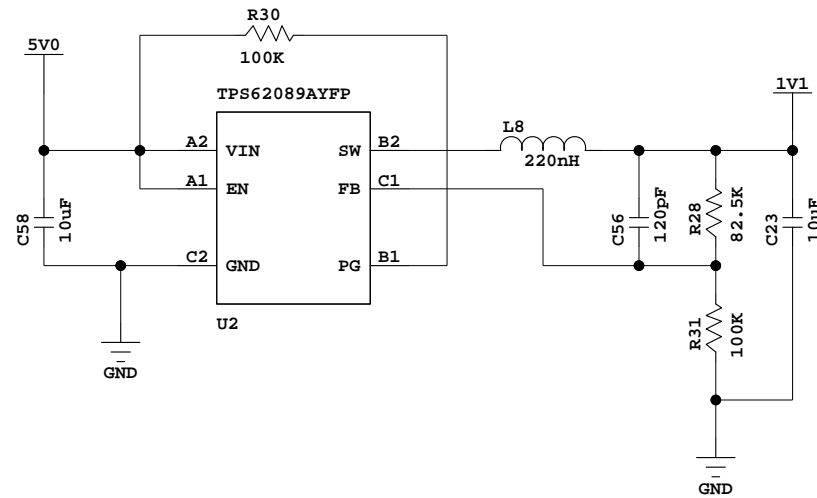


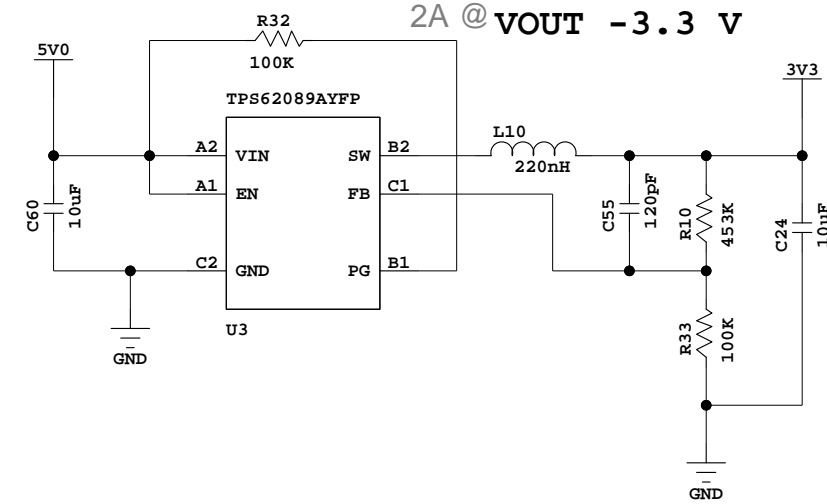
1A @ VOUT -2.5 V




1A @ VOUT -1.1V



2A @ VOUT -3.3 V



CHKD:	APPD:		
CARD NAME: HFTP FAN CARD CIRCUIT SCHEMATICS		ISSUE: d01	REV: 00
DWG.NO.: APC-HFTP73/F-GB0 (CS)			
 CENTRE FOR DEVELOPMENT OF TELEMATICS-DELHI C-DOT	DATE: 23-02-2022		SHEET: ? OF 48