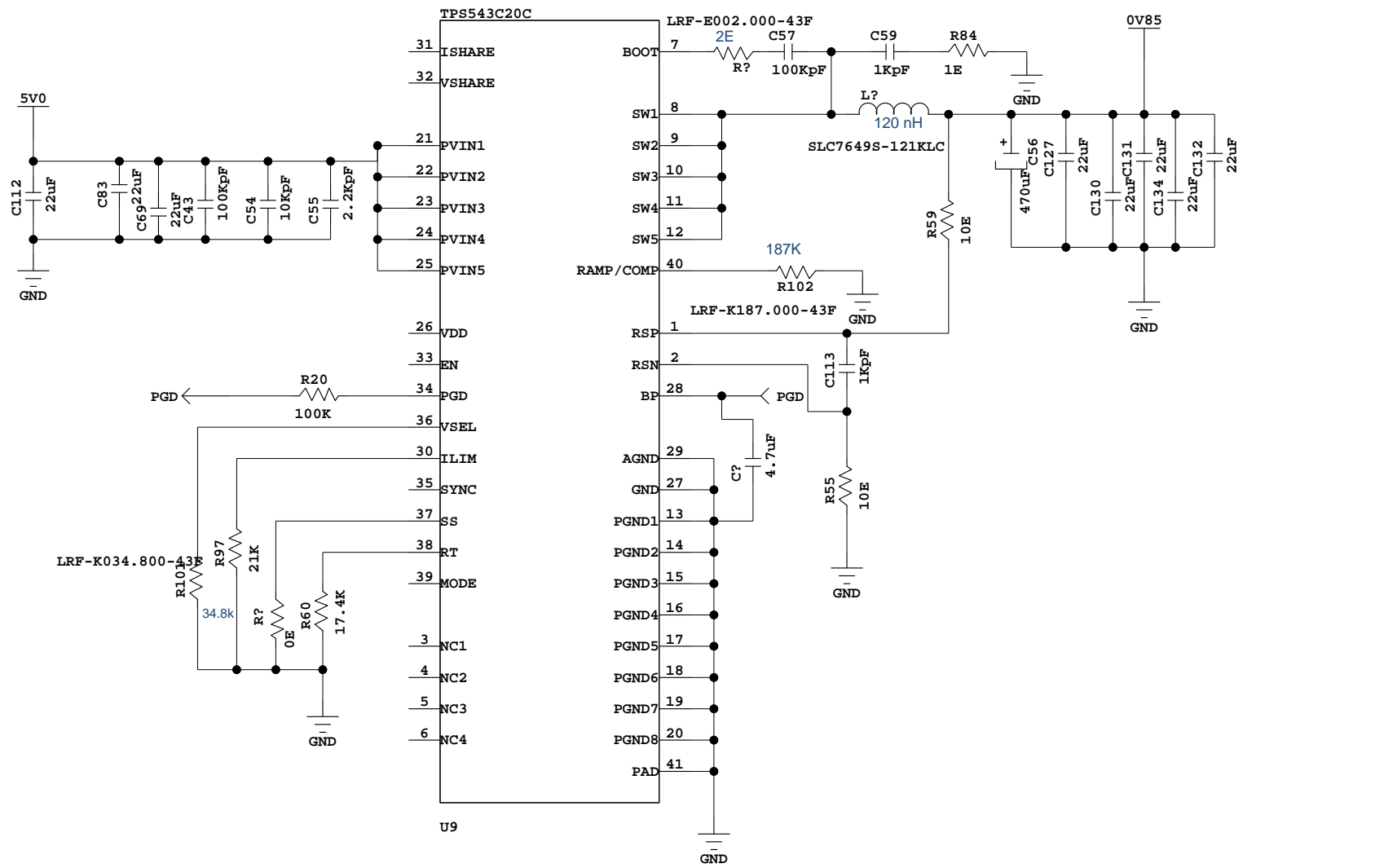



VSYS voltage value determine???



|  |                  |         |  |
|--|------------------|---------|--|
| CHKD:  | APPD:            |         |  |
| CARD NAME: FPGA SOM BOARD  | ISSUE: 01        | REV: 00 |  |
| CIRCUIT SCHEMATICS   |                  |         |  |
| DWG.NO.: EPC-QSBP76/E-CE0 (CS)   |                  |         |  |
|  CENTRE FOR DEVELOPMENT OF<br>TELEMATICS-DELHI<br>C-DOT | DATE: 16-03-2022 |         |  |
|  | SHEET: 42 OF 44  |         |  |