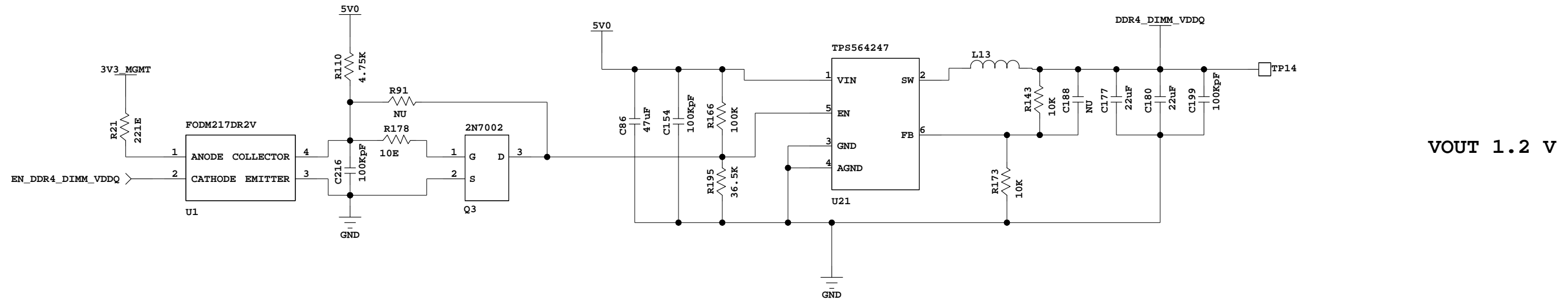
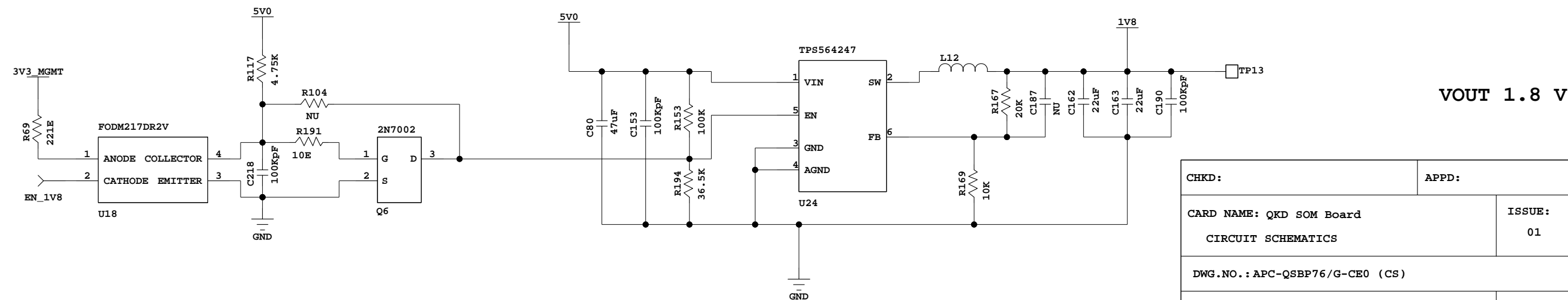


VOUT 2.5 V




VOUT 1.2 V



VOUT 1.8 V

NU=NOT USED

|   |                 |      |  |
|---|-----------------|------|--|
| CHKD:   | APPD:           |      |  |
| CARD NAME: QKD SOM Board  | ISSUE:          | REV: |  |
| CIRCUIT SCHEMATICS  | 01              | 00   |  |
| DWG.NO.: APC-QSBP76/G-CE0 (CS)  |                 |      |  |
|  CENTRE FOR DEVELOPMENT OF<br>TELEMATICS-DELHI | DATE:19-09-2022 |      |  |
|   | SHEET: 40 OF 42 |      |  |