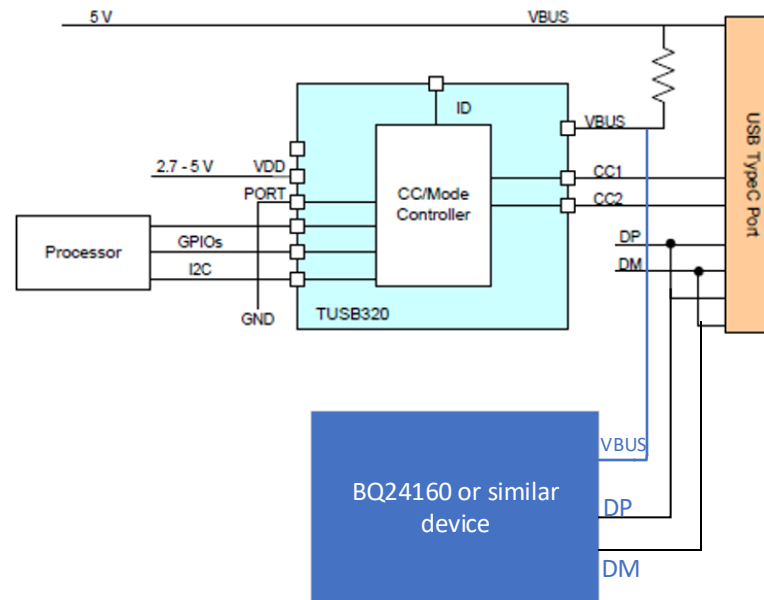


Block diagram for USB type C charger IC (UFP mode, sink mode).



Depending on status of DP and DM the I limit is 500 mA or 1.5A.
The charger will be used in DCP mode. So I limit is 1.5A
If its connected to USB 2.0 PC then I limit is 500 mA.