



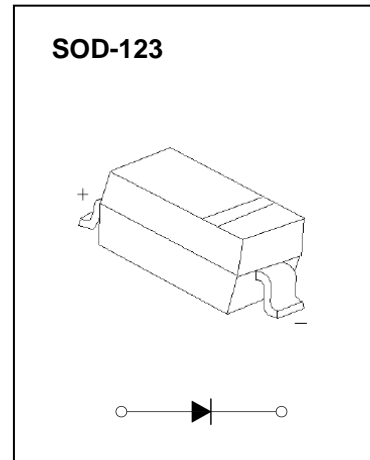
**SOD-123 Plastic-Encapsulate Diodes**

**RB160M-60** Schottky Barrier Diode

**FEATURES**

- Small Power Mold Type
- Low  $I_R$
- High Reliability

**MARKING: 76**



**Maximum Ratings @Ta=25°C**

Parameter	Symbol	Limit	Unit
DC reverse voltage	$V_R$	60	V
Mean rectifying current	$I_O$	1	A
Peak forward surge current	$I_{FSM}$	30	A
Power dissipation	$D_8$	350	mW
Thermal Resistance Junction to Ambient	$\theta_{JA}$	286	°C/W
Junction temperature	$T_j$	150	°C
Storage temperature	$T_{stg}$	-55~+150	°C

**Electrical characteristics @Ta=25°C**

Parameter	Symbol	Min.	Typ.	Max.	Unit	Conditions
Forward voltage	$V_F$			0.58	V	$I_F=1A$
Reverse current	$I_R$			30	$\mu A$	$V_R=60V$