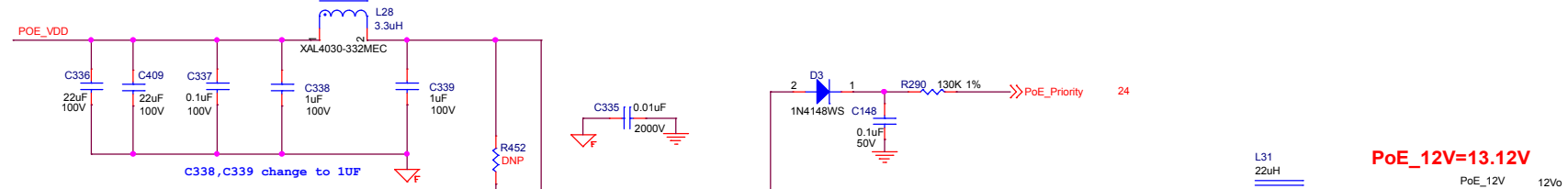
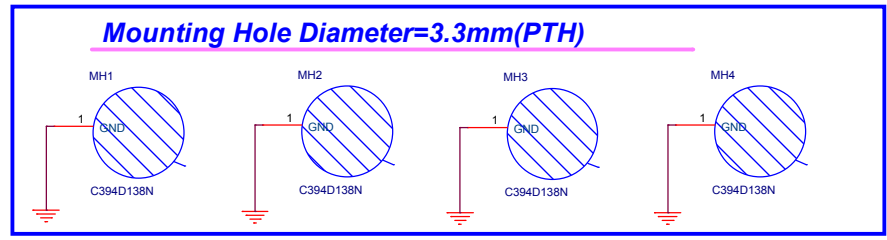
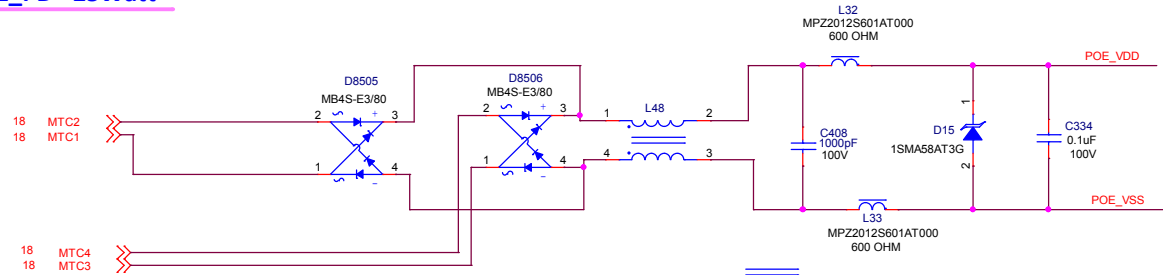
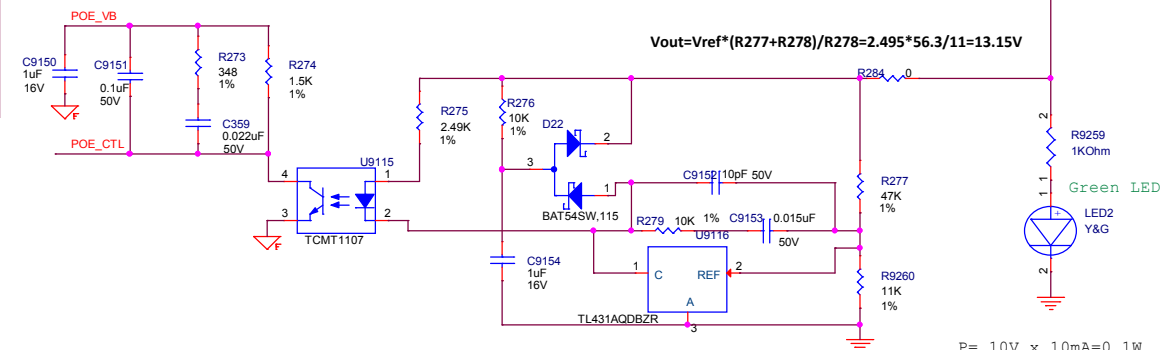
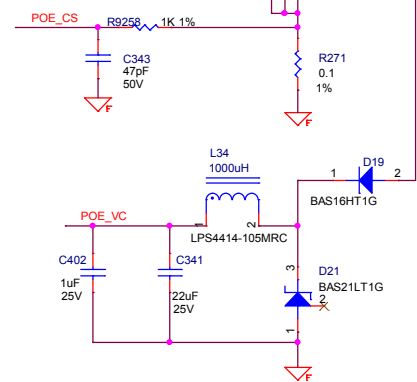
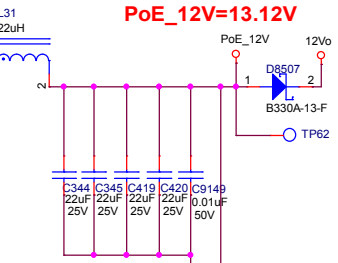
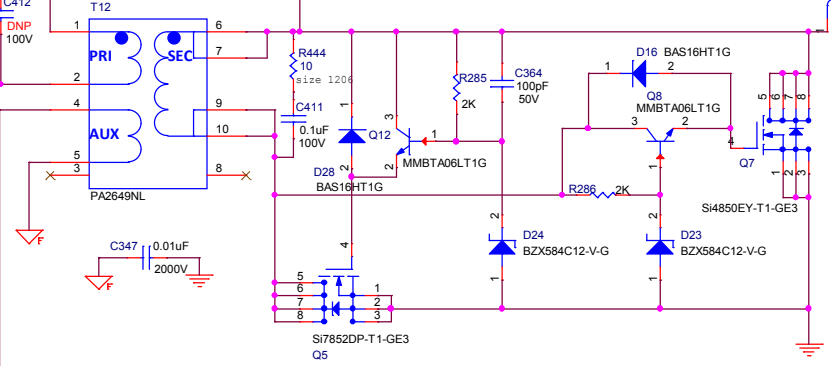
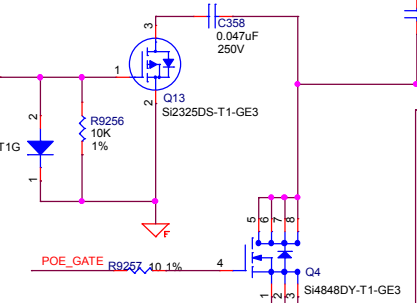
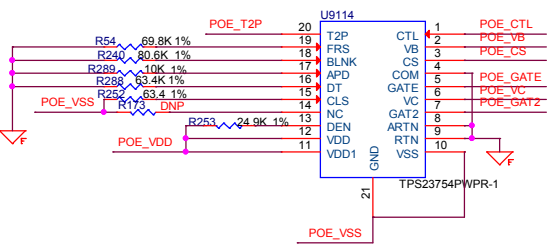


PoE_PD+ 25Watt



1. Fsw=17250/69.8=247KHz
2. Rcls=63.4R_1%, Class4 PD
3. Blanking Period, Rblnk=80.6K_1%. Blanking_interval(%)=2.
4. Dead Time, Rdt=63.4K_1%. Tdt(ns)=2*63.4=126.8nsec.



$P = 10V \times 10mA = 0.1W$
 $R195 = 1/8W (0.125W)$

	Barco Ltd. Meeting Experience Division 33F., No.16, Xinzhan Rd., Banqiao Dist., New Taipei City 22041, Taiwan (R.O.C.)	Model Name: WGA-910
	Design by: Rich Kuo	
Page Title: 23. POE PD+		
Version: 0.1	Date: Friday, April 27, 2018	Sheet 23 of 26