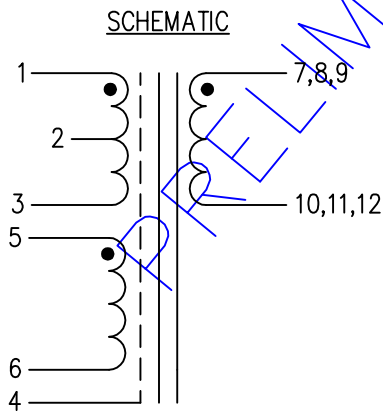
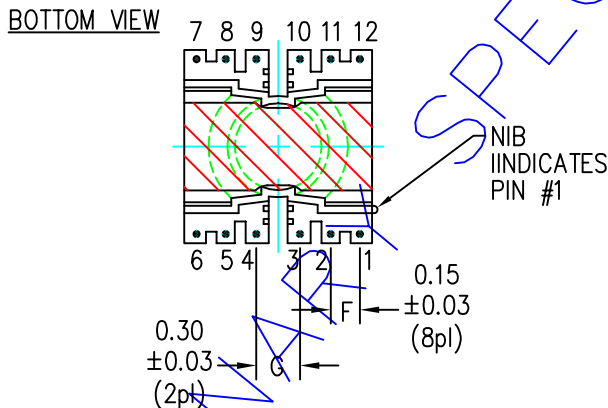
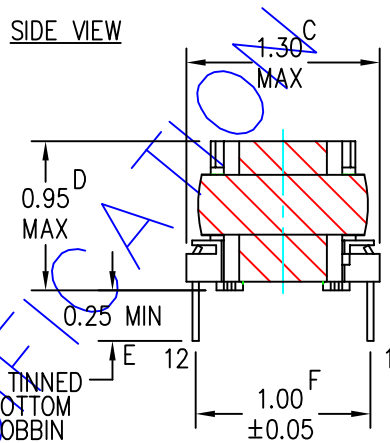
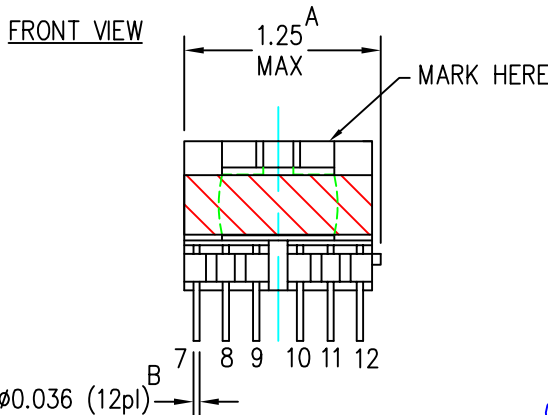




RENCO ELECTRONICS, INC.

595 INTERNATIONAL PL. • ROCKLEDGE, FLORIDA 32955
 ph. (321)637-1000 fax (321)637-1600
 web www.rencousa.com < > email engineering@rencousa.com



ELECTRICAL TEST PARAMETERS:

INDUCTANCE @ 10kHz/0.1VAC

L(1-3)=700.0µH ±10%

RANGE:(630.0µH-770.0µH)

LEAKAGE INDUCTANCE @ 100kHz/0.1VAC

SHORT PINS: 5,6,7,8,9,10,11,12

Le(1-3)= µH MAX

DC RESISTANCE OHMS (Ω) ±15% @ 25°C

RDC(1-3)=0.140 Ω

(5-6)=0.075 Ω ±20%

(7,8,9-10,11,12)=10mΩ ±30%

HIPOT

APPLY: 4000VAC @ 60Hz FOR 2 SECS

BTWN 1,5 TO 7,8,9

APPLY: 600VAC @ 60Hz FOR 2 SECS

BTWN 1 TO 5

TURNS RATIO/POLARITY

APPLY: 1.00V @ 10kHz TO PINS (1-3)

MEASURE: (5-6)=0.083V ±3%

(7,8,9-10,11,12)=0.083V ±3%

COMPONENT WEIGHT: g

RoHS COMPLIANT: YES NO

- TOLERANCES -		DWN BY	DATE	CUSTOMER NAME	
UNLESS OTHERWISE SPECIFIED DIMENSIONS ARE IN INCHES		K. ENSER	03/15/12	TEXAS INSTRUMENTS	
.XX=±	.03	ENGR CONTACT		DESCRIPTION	
.XXX=±	.015	K. ENSER		PMP7410 TRANSFORMER	
ANGULAR=±	3°	SIZE	SCALE=	PAGE	
FRACTIONAL=±	1/16"	A	NONE	THIS DOCUMENT IS FOR REFERENCE ONLY	
					1 of 1

PROTOTYPE DOCUMENT

FILE NAME
N/A