



# RENCO ELECTRONICS, INC.

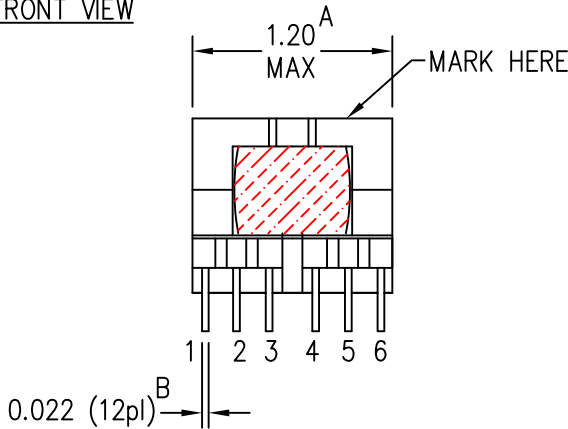
595 INTERNATIONAL PL. • ROCKLEDGE, FLORIDA 32955

ph. (321)637-1000 fax (321)637-1600

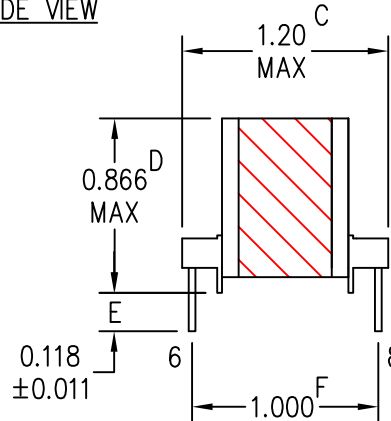
web www.rencousa.com < > email engineering@rencousa.com

**CONTACT ENGINEERING@RENCUSA.COM FOR QUOTE OR SAMPLE. REFERENCE RLTI-1139**

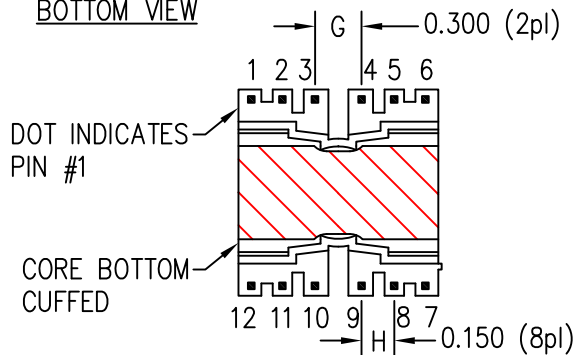
FRONT VIEW



SIDE VIEW



BOTTOM VIEW



NOTE: SHORT PINS 12,11,10 & 9,8,7 ON PCB

ELECTRICAL TEST PARAMETERS:

INDUCTANCE @ 60kHz/0.1VAC

L(3-1)=200µH ±7%

RANGE: (186µH-214µH)

LEAKAGE INDUCTANCE @ 60kHz/0.1VAC

SHORT PINS: 7,8,9,10,11,12

Le(3-1)=7.05µH MAX

DC RESISTANCE OHMS (Ω) ±20% @ 25°C

RDC(3-1)=0.140Ω (12-9)=0.006Ω

(6-5)=0.060Ω (11-8)=0.006Ω

(10-7)=0.006Ω

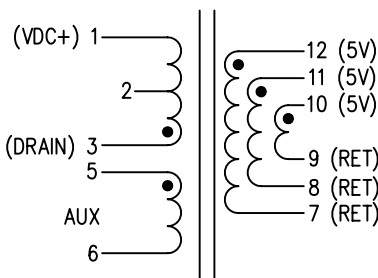
HIPOT

APPLY: 3000VAC @ 60Hz FOR 2 SEC  
BTWN 1,6 TO 12,11,10

APPLY: 2500VAC @ 60Hz FOR 2 SEC  
BTWN 1,6,12,11,10 TO CORE

APPLY: 1500VAC @ 60Hz FOR 2 SEC  
BTWN 1 TO 6

SCHEMATIC



	SUPPLIER	PART #	DESCRIPTION	UL FILE #
1	FERROXCUBE	FERRITE, MnZn	CORE	N/A
2	SUMITOMO BAKELITE CO. LTD	PHENOLIC PM-9630	BOBBIN	E41429
3	FURUKAWA	TEX-E	WIRE, TRIPLE INSULATED	E206198
4	3M	#1350-1 TAPE	WINDING TAPE	E17385
5	VARIOUS	NEMA MW-75C	WIRE, HEAVY POLY	VARIOUS
6	DOLPHS	BC-346A	VARNISH	E51047

THIS COMPONENT COMPLIES WITH A UL CLASS B (130°C) INSULATION SYSTEM ADOPTED BY RENCO ELECTRONICS UNDER UL FILE E73291 AND IS DESIGNATED BY R130, TABLE II.

RoHS COMPLIANT: YES  NO  (REFERENCE: C14382)

- TOLERANCES -	
UNLESS OTHERWISE SPECIFIED DIMENSIONS ARE IN INCHES	
.XX=±	.03
.XXX=±	.015
ANGULAR=±	3°
FRACTIONAL=±	1/16"

DWN BY	DATE	CUSTOMER NAME
IAR	05/11/2015	TEXAS INSTRUMENTS
ENGR CONTACT	REV	DESCRIPTION
I. RENSING	N/A	FLYBACK TRANSFORMER
SIZE	SCALE=	PAGE
A	NONE	1 of 1

THIS DOCUMENT IS FOR REFERENCE ONLY

COMPONENT DRAWING

FILE NAME  
RL-1139