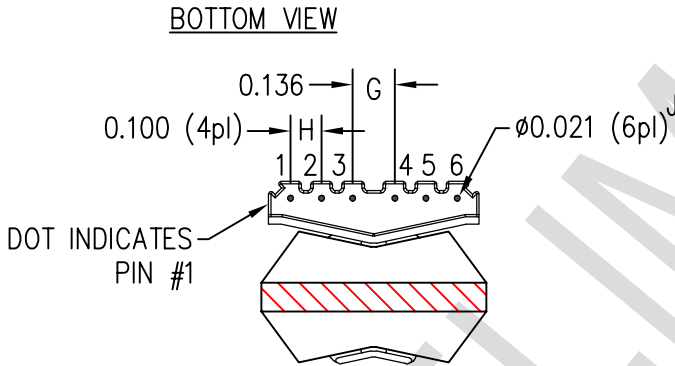
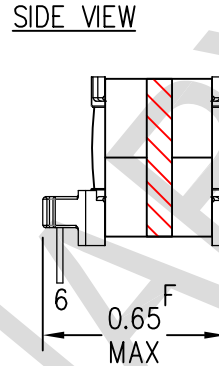
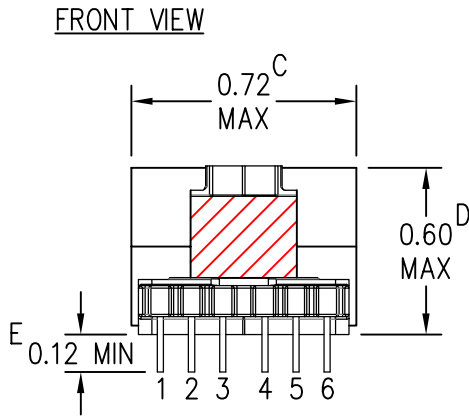


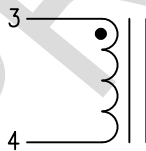


RENCO ELECTRONICS, INC.

595 INTERNATIONAL PL. • ROCKLEDGE, FLORIDA 32955
 ph. (321)637-1000 fax (321)637-1600
 web www.rencousa.com < > email engineering@rencousa.com



SCHMATIC



ELECTRICAL TEST PARAMETERS:

INDUCTANCE @ 10kHz/0.1VAC
 L(3-4)=50µH ±10%

INDUCTANCE @ 10kHz/0.1VAC W/1.5A DC BIAS
 L(3-4)=44µH MIN

DC RESISTANCE OHMS (Ω) @ 25°C
 DCR: (3-4)=0.020Ω ±15%

COURTESY DRAWING

FILE NAME
 RLTI-1234

- TOLERANCES -		CUSTOMER NAME		THIS COURTESY PRINT IS PROPRIETARY AND CONFIDENTIAL NO PART OF THIS COURTESY PRINT MAY BE DISCLOSED TO A THIRD PARTY WITHOUT PRIOR WRITTEN CONSENT FROM RENCO ELECTRONICS INC.	
UNLESS OTHERWISE SPECIFIED DIMENSIONS ARE IN INCHES		TEXAS INSTRUMENTS, INC.			
.XX=±	0.03	DESCRIPTION		THIS DOCUMENT IS FOR REFERENCE ONLY	
.XXX=±	0.015	RESONANT INDUCTOR			
ANGULAR=±	3'	ENGINEER CONTACT	DWN BY		
FRACTIONAL=±	1/16"	I. RENSING	GMI		
		DATE	SCALE	RoHS COMPLIANT: YES <input checked="" type="checkbox"/> NO <input type="checkbox"/>	
		05/25/17	NONE		
		REV	PAGE		
		PRE	1 OF 1		