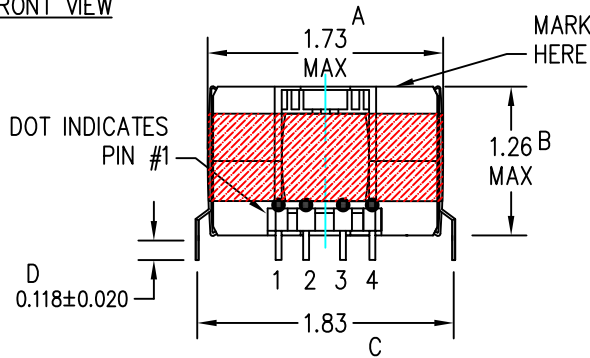




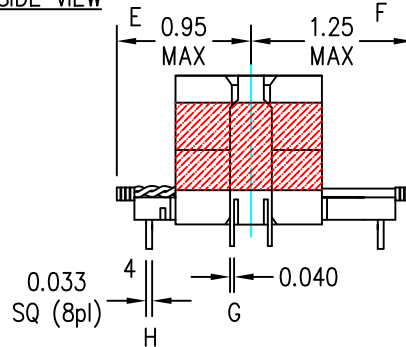
RENCO ELECTRONICS, INC.

595 INTERNATIONAL PL. • ROCKLEDGE, FLORIDA 32955
 ph. (321)637-1000 fax (321)637-1600
 web www.rencousa.com < > email engineering@rencousa.com

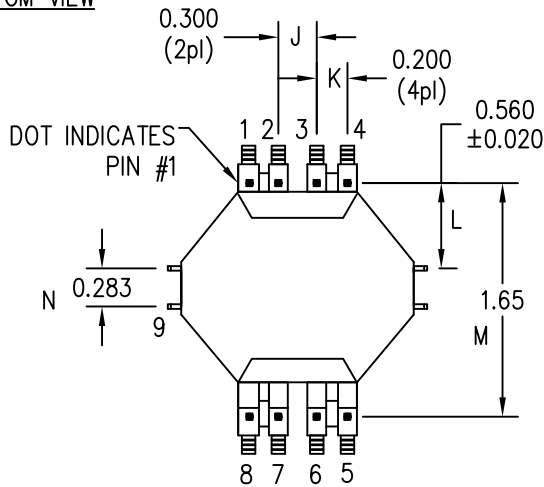
FRONT VIEW



SIDE VIEW



BOTTOM VIEW



ELECTRICAL TEST PARAMETERS:

INDUCTANCE @ 150kHz/0.1VAC

L(2-1)=100µH ±5%

LEAKAGE INDUCTANCE @ 150kHz/0.1VAC

SHORT PINS: 5,6,7,8

LL(2-1)=2.7µH MAX

DC RESISTANCE OHMS (Ω) @ 25°C

(MEASURED AT SOLDER CONNECTIONS)

DCR: (2-1)=0.055Ω ±15%

(3-4)=0.315Ω ±15%

(6-8)=0.003Ω MAX

(5-7)=0.003Ω MAX

HIPOT

APPLY: 3000VAC @ 60Hz FOR 1 SEC, 1mA MAX
 BTWN 1,3 TO 8,7

APPLY: 2500VAC @ 60Hz FOR 1 SEC, 1mA MAX
 BTWN: 1,3,8,7 TO 9

TURNS RATIO/POLARITY

APPLY: 1.00V @ 10kHz TO PINS (2-1)

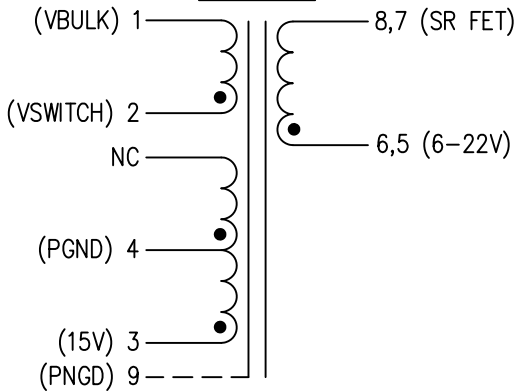
Vout: (3-4)=0.454V ±3%

(5-7)=0.181V ±3%

(6-8)=0.181V ±3%

NOTE: SHORT PINS 8 TO 7 AND 6 TO 5 ON PCB

SCHEMATIC



NOTE: ATTEMPTS TO SUBSTITUTE ANY MATERIAL OR CONSTRUCTION METHOD WILL RESULT IN DECREASED THERMAL AND EMI PERFORMANCE

	SUPPLIER	PART #	DESCRIPTION	UL FILE #
1	FERROXCUBE	FERRITE	CORE	N/A
2	SUMITOMO	PM-9630	BOBBIN	E41429
3	3M	44	OPTIONAL TAPE	E17385
4	3M	1350F-1	OPTIONAL TAPE	E17385
5	3M	92	NON-OPTIONAL TAPE	E17385
6	RUBADUE	TCA3	TRIPLE INSULATED WIRE	E206440
7	VARIOUS	MW 79/80-C	ENAMELLED WIRE	VARIOUS
8	DOLPHS	BC-346A	VARNISH	E317427

THIS COMPONENT COMPLIES WITH A UL CLASS F (155°C) INSULATION SYSTEM ADOPTED BY RENCO ELECTRONICS UNDER UL FILE E73291 AND IS DESIGNATED R155, TABLE I.

COURTESY DRAWING

FILE NAME

RLTI-1439

-TOLERANCES-

UNLESS OTHERWISE SPECIFIED DIMENSIONS ARE IN INCHES	
.XX=±	0.03
.XXX=±	0.015
ANGULAR=±	3°
FRACTIONAL=±	1/16"

CUSTOMER NAME

TEXAS INSTRUMENTS

DESCRIPTION

FLYBACK FOR PMP23224

ENGINEER CONTACT

I. RENSING

DWN BY

IAR

THIS DOCUMENT IS FOR REFERENCE ONLY

DATE

05/18/22

SCALE

NONE

RoHS COMPLIANT: YES NO

REV

PRE

PAGE

1 OF 1

THIS COURTESY PRINT IS PROPRIETARY AND CONFIDENTIAL NO PART OF THIS COURTESY PRINT MAY BE DISCLOSED TO A THIRD PARTY WITHOUT PRIOR WRITTEN CONSENT FROM RENCO ELECTRONICS INC.