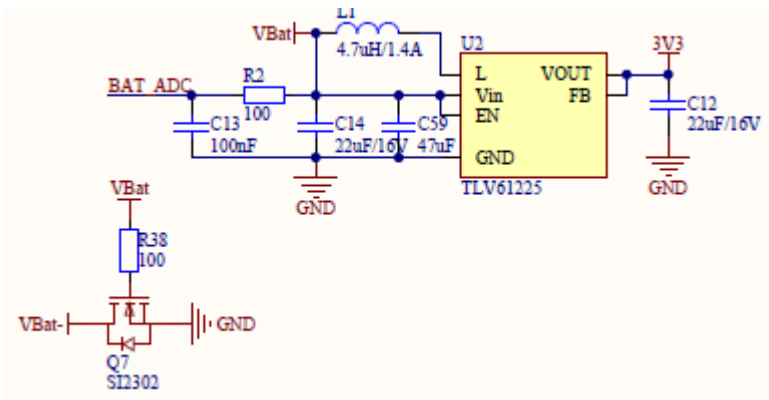


I use in my product that I develop TLV61225 to generate 3.3 volts from lithium battery type 123 (3 volts). Most of the time the current is about 100microAmper, when in use for 10 seconds the current drawn about 10 to 100 mA.

I found 2 different situations.

1. Case 1: the unit works for several weeks or days and suddenly the TLV61225 stop working and is in state that the constant current of around 300 mA is flowing the load
2. Case 2: when a new battery is used or voltage from power supply of 3.00 volts the TLV61225 is suddenly stop generating output and it draws constant current of around 1 mA. When I use lower input voltage 2.80 the product works well no problem.

I use this type of circuit (I use Murata coil LQH3NPH4R7MMEL)



Please send me questions and answer to my email:  
amnon@combilock-ltd.com