

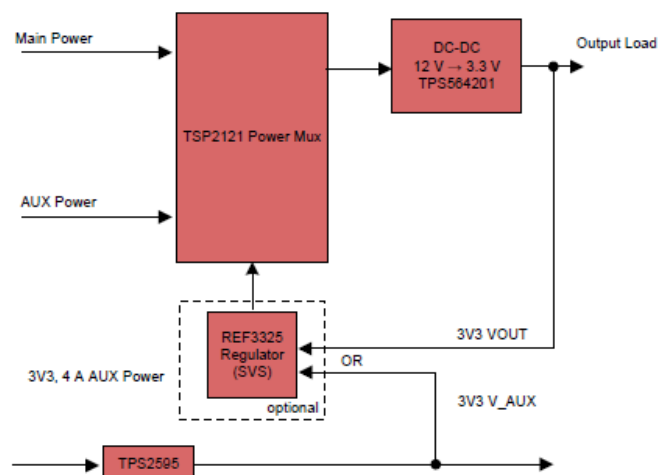
GREEN : VIN

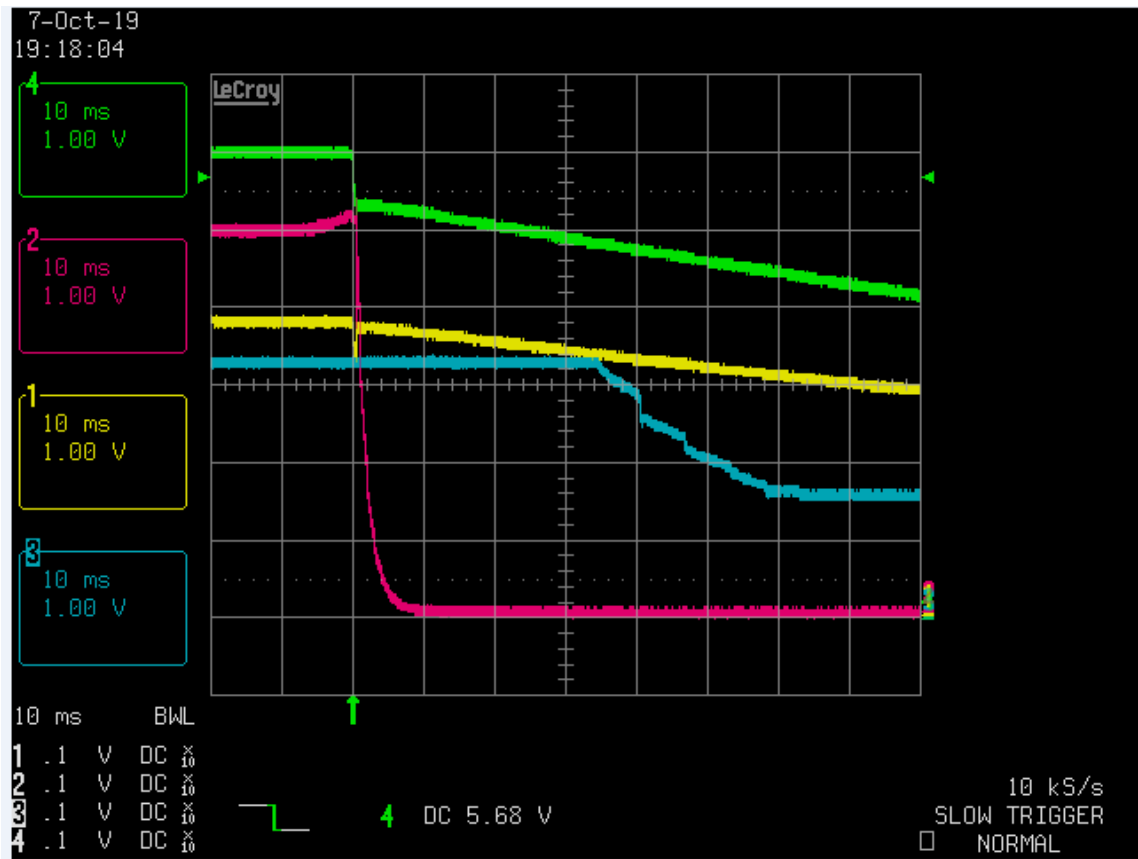
RED : VOUT

YELLOW PR1

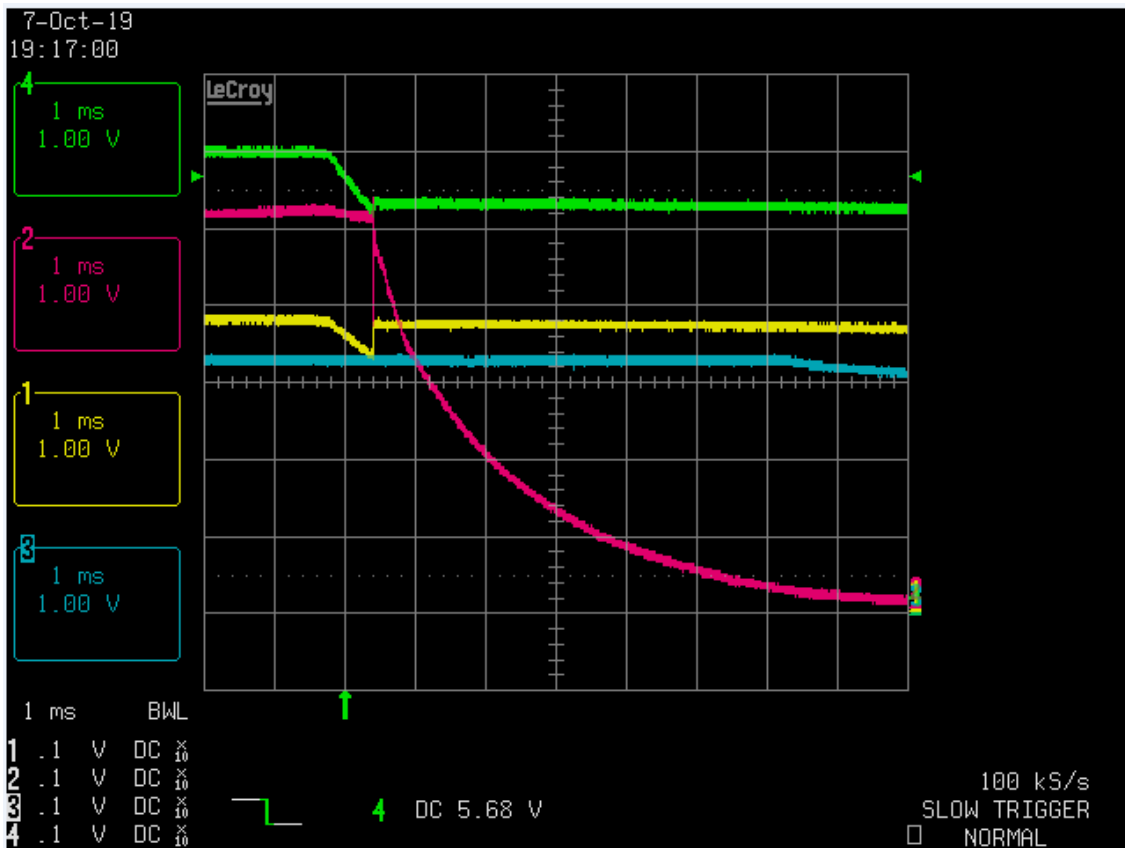
BUE : CP2

Note CP2 is the 3.3V Logic Supply derived as described in the following picture (from TIDA-01638)





10 msec/div/div



1 msec/div