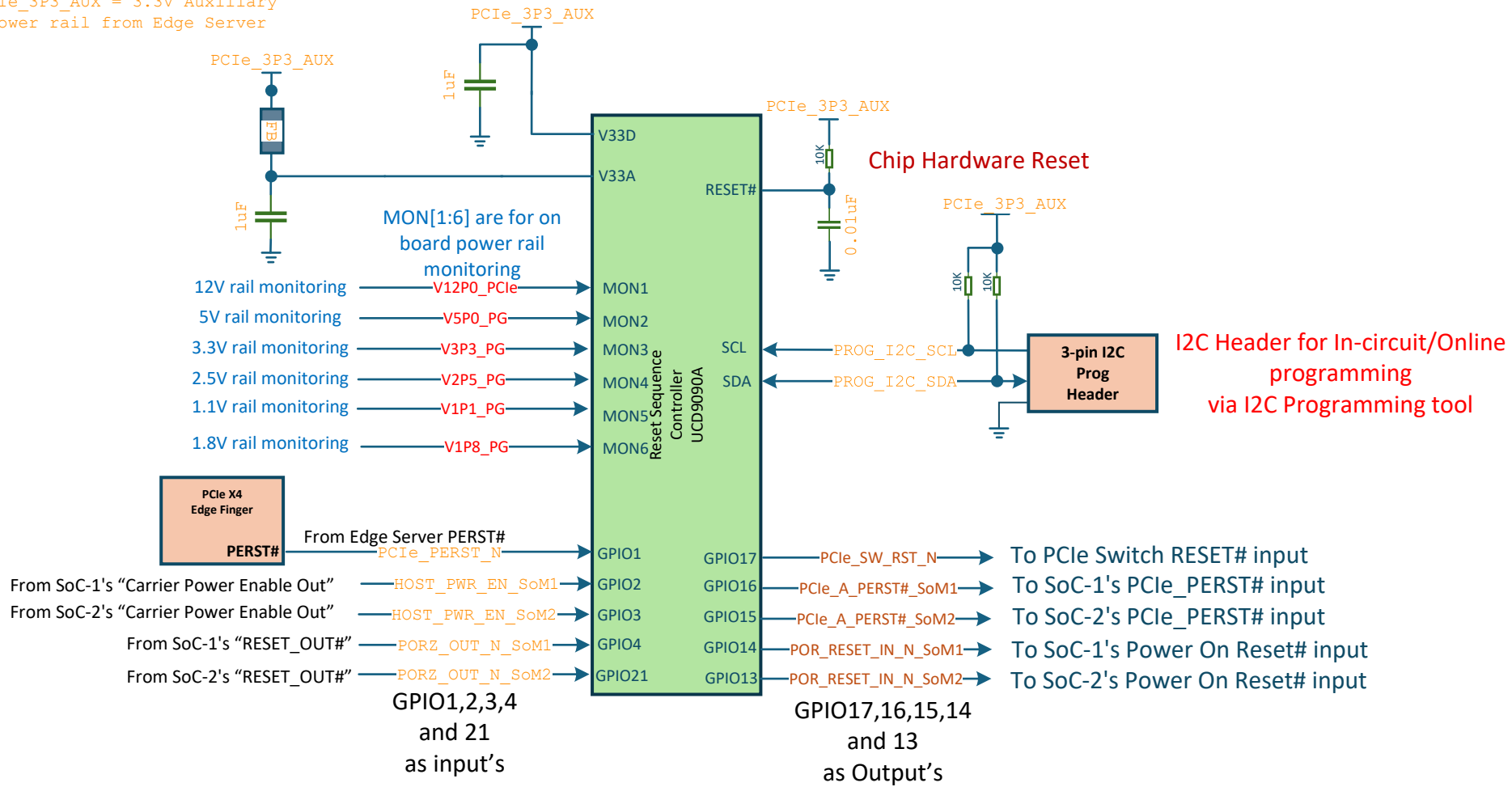


PCIe_3P3_AUX = 3.3V Auxiliary power rail from Edge Server



MON[1:6] are for on board power rail monitoring

Chip Hardware Reset

I2C Header for In-circuit/Online programming via I2C Programming tool

From Edge Server PERST# → PCIe_PERST_N → GPIO1

From SoC-1's "Carrier Power Enable Out" → HOST_PWR_EN_SoM1 → GPIO2

From SoC-2's "Carrier Power Enable Out" → HOST_PWR_EN_SoM2 → GPIO3

From SoC-1's "RESET_OUT#" → PORZ_OUT_N_SoM1 → GPIO4

From SoC-2's "RESET_OUT#" → PORZ_OUT_N_SoM2 → GPIO21

GPIO1,2,3,4 and 21 as input's

GPIO17 → PCIe_SW_RST_N → To PCIe Switch RESET# input

GPIO16 → PCIe_A_PERST#_SoM1 → To SoC-1's PCIe_PERST# input

GPIO15 → PCIe_A_PERST#_SoM2 → To SoC-2's PCIe_PERST# input

GPIO14 → POR_RESET_IN_N_SoM1 → To SoC-1's Power On Reset# input

GPIO13 → POR_RESET_IN_N_SoM2 → To SoC-2's Power On Reset# input

GPIO17,16,15,14 and 13 as Output's