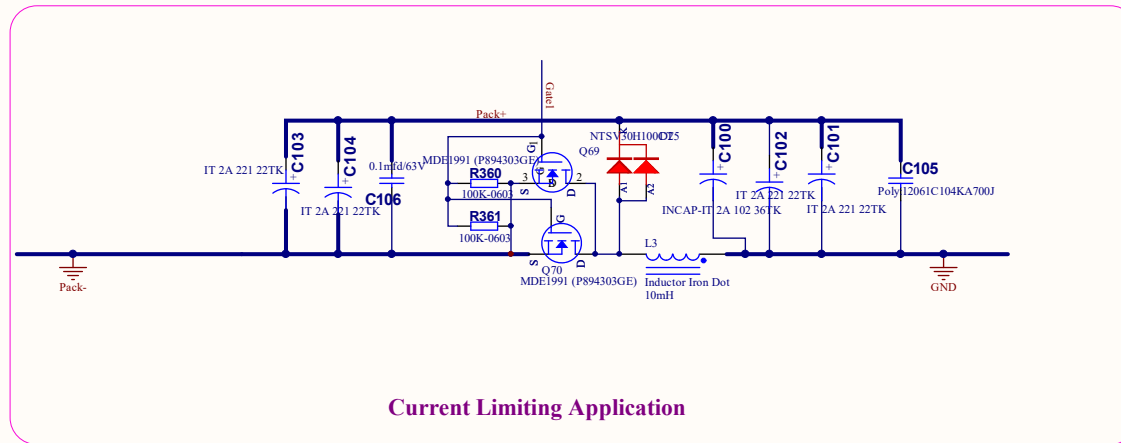
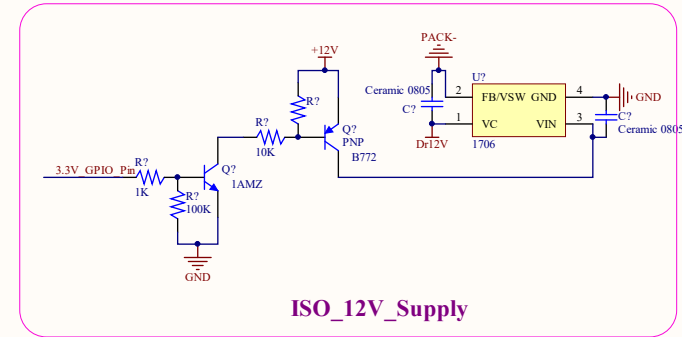
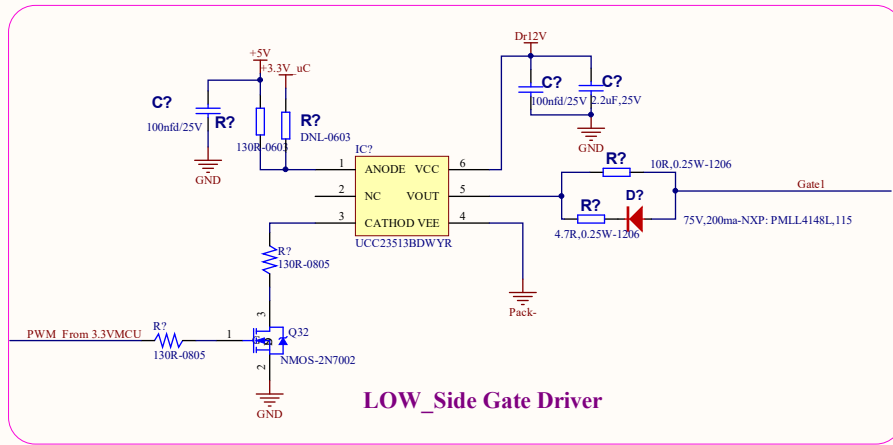


Proprietary material of M/S AMARA RAJA POWER SYSTEMS LTD., Tirupathi. All rights reserved. No copying permitted unauthorised Use prohibited.



Note: Fixing hole will be provided for thermistor which is coming from BMS card

AMARA RAJA POWER SYSTEMS LTD
 Registered Office & Works
 KARAKAMBADI-517520
 TIRUPATHI
 Ph.No. 0877-2265000. A3

PROJECT	: Rack Master for Telecom
CUSTOMER	: ARBL
FILE NO	: R050-300
DWG NO	: SA_50322000300_R0_Sh6
TITLE	: Schematic Drawing of BMS 100A Power MOSFET Bd
DATE	: 23-05-2023
SHEET	: 6 OF 6
REV	: 0

TIME: .Doc_time	REV.No.	DCN NO.	REMARKS	APPD.	DRAWN	CHKD.	APPD.
FILE NAME: .Doc_file_name					Revathi R	KV	SUM

Bill of Materials

Bill of Materials For Project [Free Documents] (No PCB Document Selected)

Source Data From: Free Documents
Project: Free Documents
Variant: None

Creation Date: 2024-02-01 3:06:30 PM
Print Date: 45323 45323.62955

#Column Name	#Column Name E	#Column Name E	#Column Name Error:Designator	#Column Name Error:Description	#Column Name Error:Qu

0

Approved	Notes

