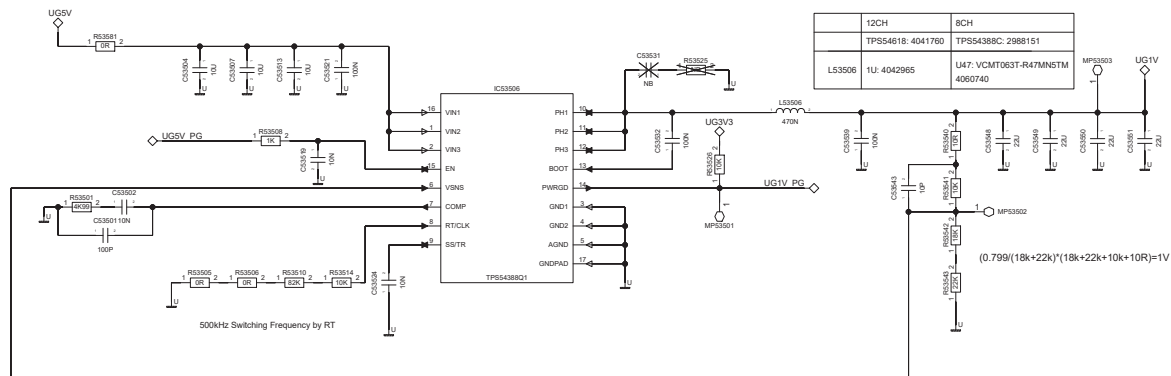
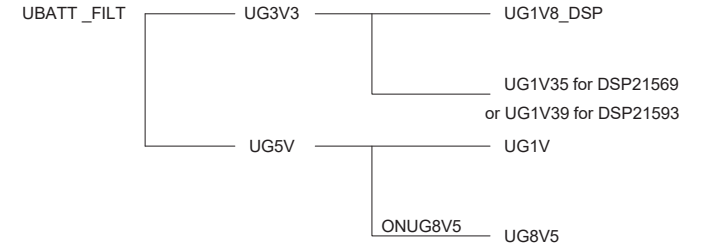


Power Sequence



12CH	8CH
TPSS4618-4041760	TPSS4388C-2968151
L53506 1U-4042965	U47: VCMT063T-R47MNSTM 4060740

	TPSS4618-4041760	TPSS4388C-2968151
R53505	100K	0R-4026274
R53506	100K	0R-4026274
R53510	100K	82K-4026316
R53514	100K	10K-4026306

$(0.799 / (18k + 22k)) * (18k + 22k + 10k + 10R) = 1V$

The information, publications and utilization of these documents are used in the name of the manufacturer. It is prohibited to reproduce, distribute, or otherwise use these documents without the explicit written permission of the manufacturer. Changes will be made to the documents without notice. All rights reserved.

Rev.	type of change	change-no.	date of change	auth.	checked
		Copyright reserved		Wiring modifications reserved	
		created		date	name
checked					
sheet		11	26	Sample	
53530_01_0100_UG1V_6A_TPSS4618/53510_02_0300_UG1V_TPSS4388C		Type	Variant	Part Number	
substitute for:				substitute by:	