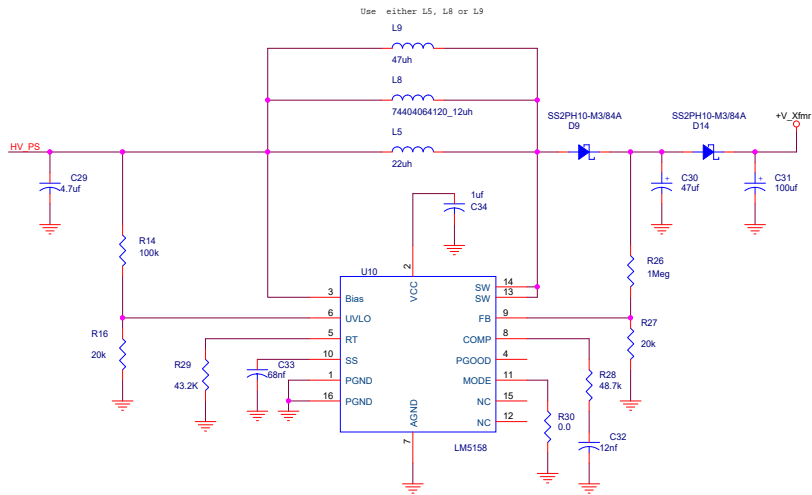
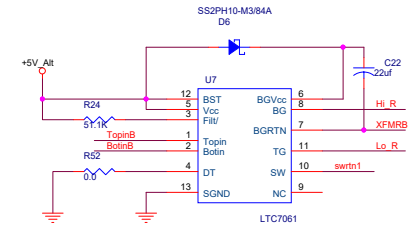
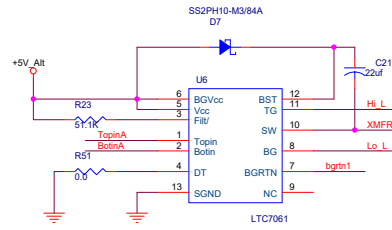
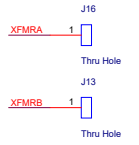
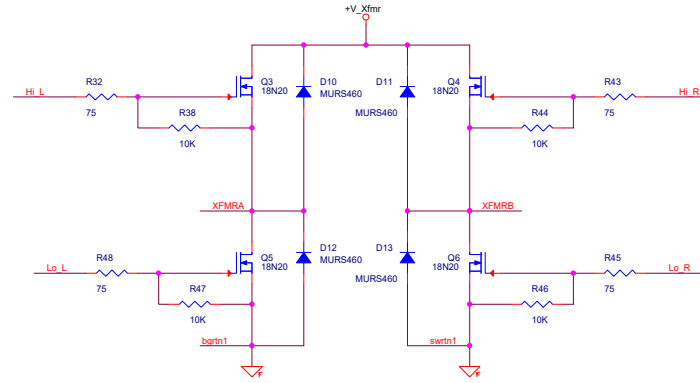
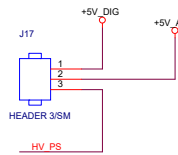


TopinA >> TopinA
 BotinA >> BotinA
 HV_PS >> HV_PS
 TopinB >> TopinB
 BotinB >> BotinB



GROUP 2 POWER COMPONENTS

POPULATE EITHER GROUP 1 OR GROUP2 PARTS. NOT BOTH.



Title		<Title>
Size	Document Number	Rev
C	<Doc>	<Rev Code>
Date:	Monday, January 16, 2023	Sheet 1 of 1