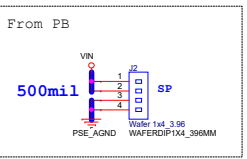
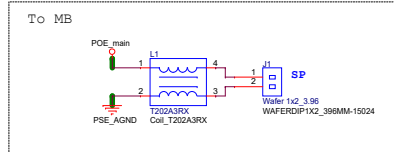


LM5176 :  
 4.2V-55V input (Max. 60V)  
 Working Temp -40°C+125°C (Tj)  
 SW Frequency : 234kHz  
 Soft-start : 35ms  
 UVLO -> 8V  
 OCP -> 2.1A

8V~55V input allowable

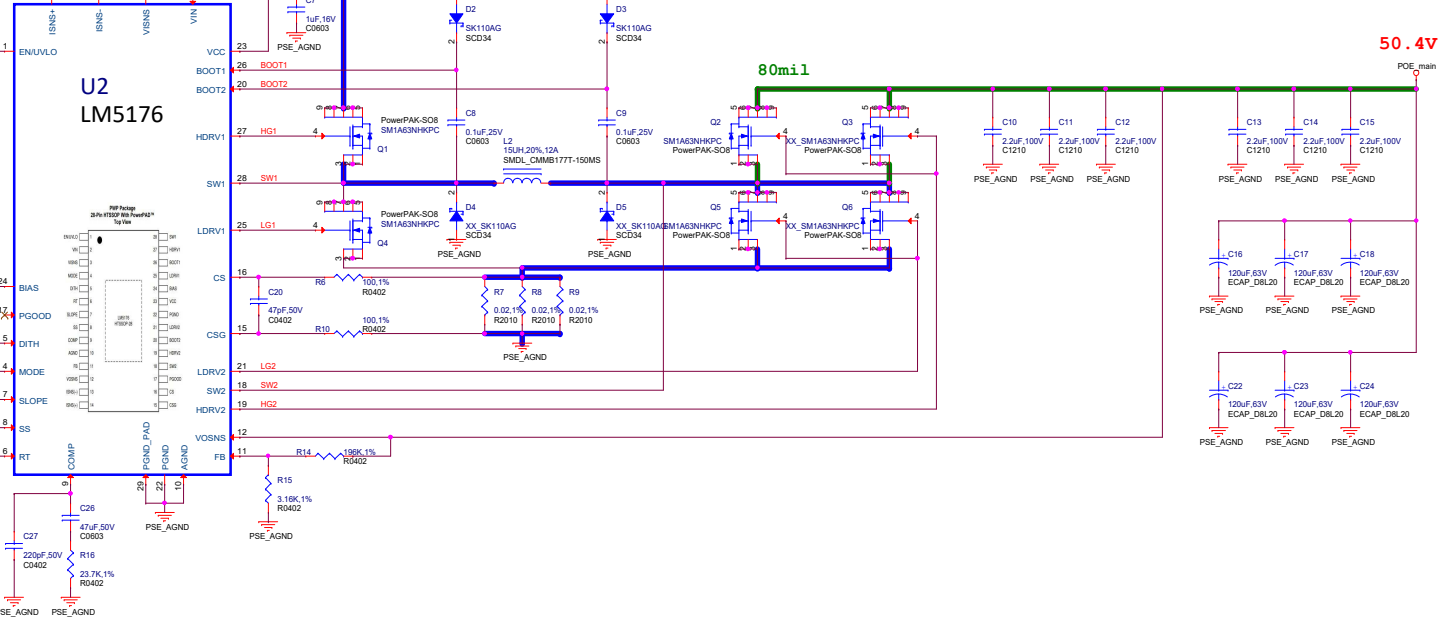
300mil



50.4V

80mil

Dithering disable  
 Hiccup enable



Project name			
Size	Title	Rev	
A2	LM5176	1.4	
Date:	Wednesday, July 22, 2020	Sheet	2 of 3