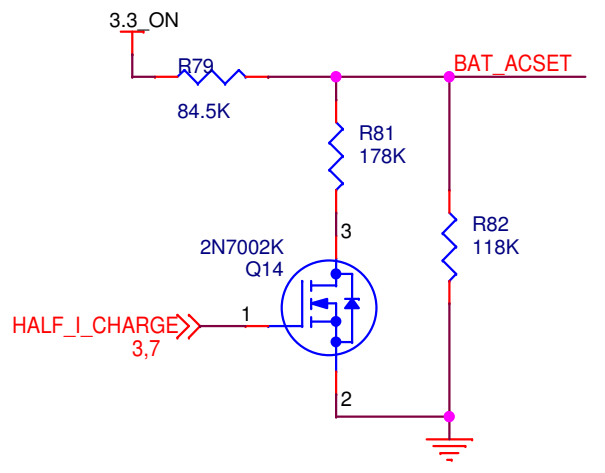
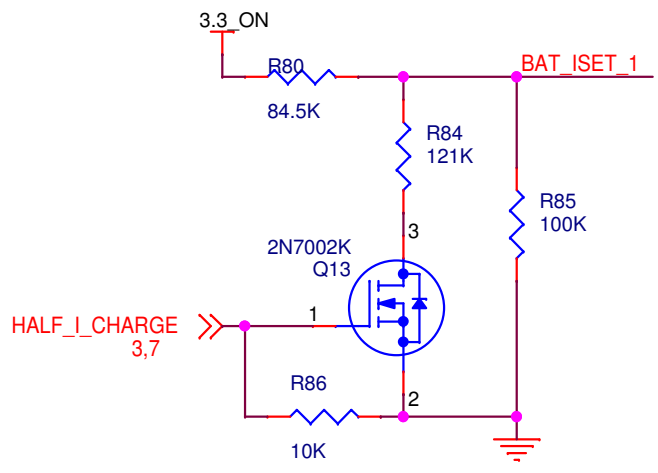


- Mount HS1 to Q11
- HS1 6225B-MTG
 - HS_NUT1 #4-40
 - HS_ADH PS002833-001
 - HS_SCRW1 #4-40
 - HS_THERM_PAD1 HFT15AC-0.0055-AC-54
 - WASHER_AT_SCRW-1 7721-7PPSG
- Mount HS2 to Q12
- HS2 6225B-MTG
 - HS_NUT2 #4-40
 - WASHER_AT_SCRW-2 7721-7PPSG
 - HS_SCRW2 #4-40
 - HS_THERM_PAD2 HFT15AC-0.0055-AC-54

Battery Charger

Fast-Charge ISET1 =
 1.788V (Wall supply)
 1.3V (Car Battery)

Current Limit ACSET =
 1.92V (Wall supply), 9.6Amps
 1.5V (Car Battery), 7.5Amps



DC Adapter Voltage In	24 Volts
Car DC voltage in	12 Volts
Battery Charge Voltage	4.2V * 2-cells = 8.4 Volts
Battery Cells	2
Battery Fuse	10 Amps Polyswitch
Battery Charge Current	89.6 Amp (Wall), 7.5 Amps (Car)
Voltage at ISET1	1.78V (Wall), 1.3V (Car)
Battery Precharge	0.210 Amps
Termination Current	0.210 Amps
Voltage at ISET2	

<Core Design>

LEVEL-3	Authentix Global Leaders in Authentication		
	SCH - LSX3000 POWER BOARD		
	BATTERY CHARGER		
	SIZE B	CAGE CODE: 1WW99	DWG NO ES008649
Monday, December 05, 2016		Sheet 7 of 8	