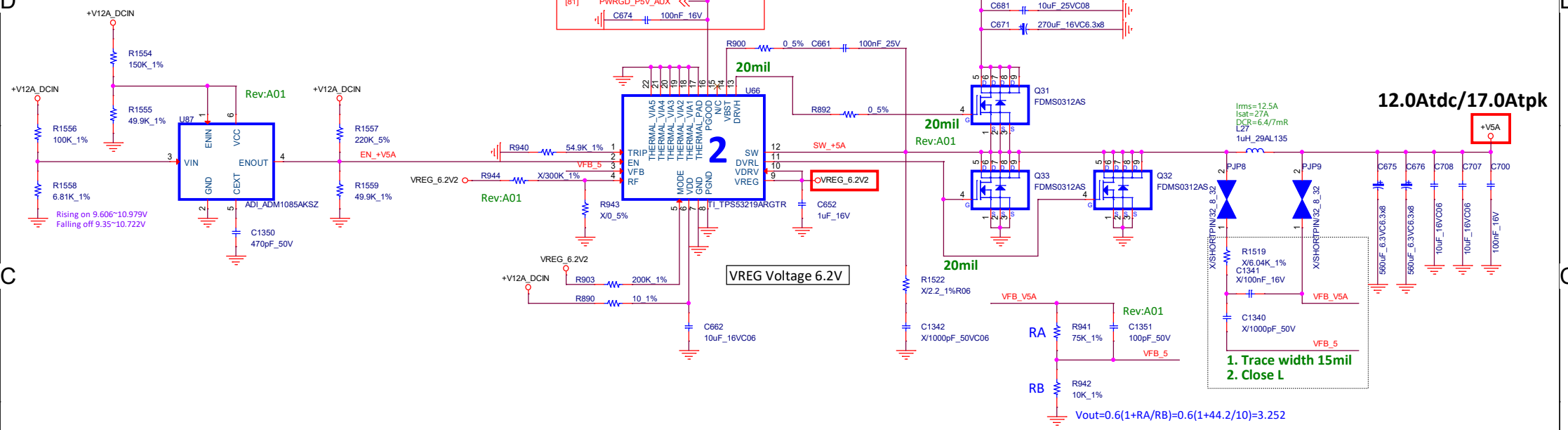


+V5A

Vout=5.0V
 I_{max}:17.0A
 I_{tdc}:12.0A
 IOCP:7A
 Freq:750KHZ
 Softstart time: 2.8ms (FCCM)

Need to Modify



12.0Atdc/17.0Atpk

VREG Voltage 6.2V

- 1. Trace width 15mil
- 2. Close L

$$V_{out} = 0.6(1 + R_A/R_B) = 0.6(1 + 44.2/10) = 3.252$$

DMR Number		T12345-00	
		Confidential	
Project Name	RX621C	Module Number	<Module no.>
Rev	A01	Rev	A01
Size	A3	Title	+V5A +V5S
Date:	Friday, January 17, 2020	Sheet	77 of 84