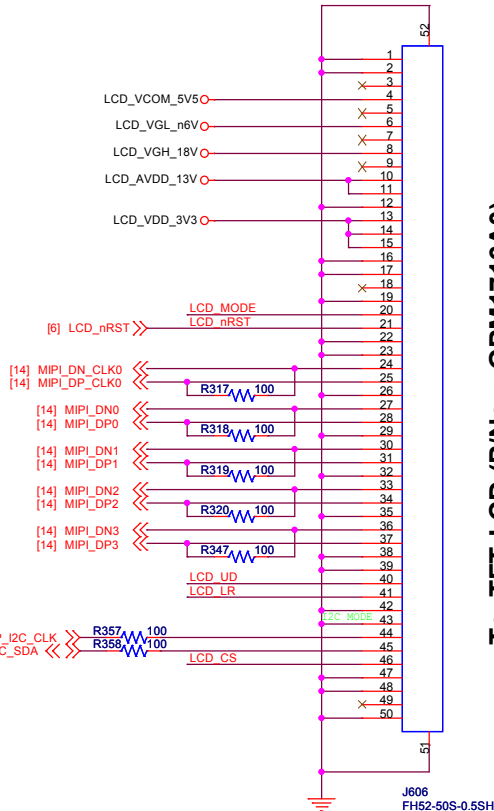
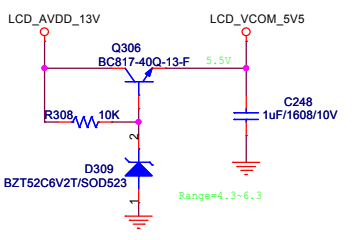
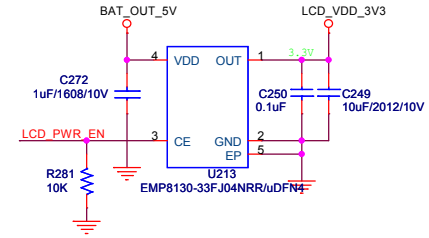
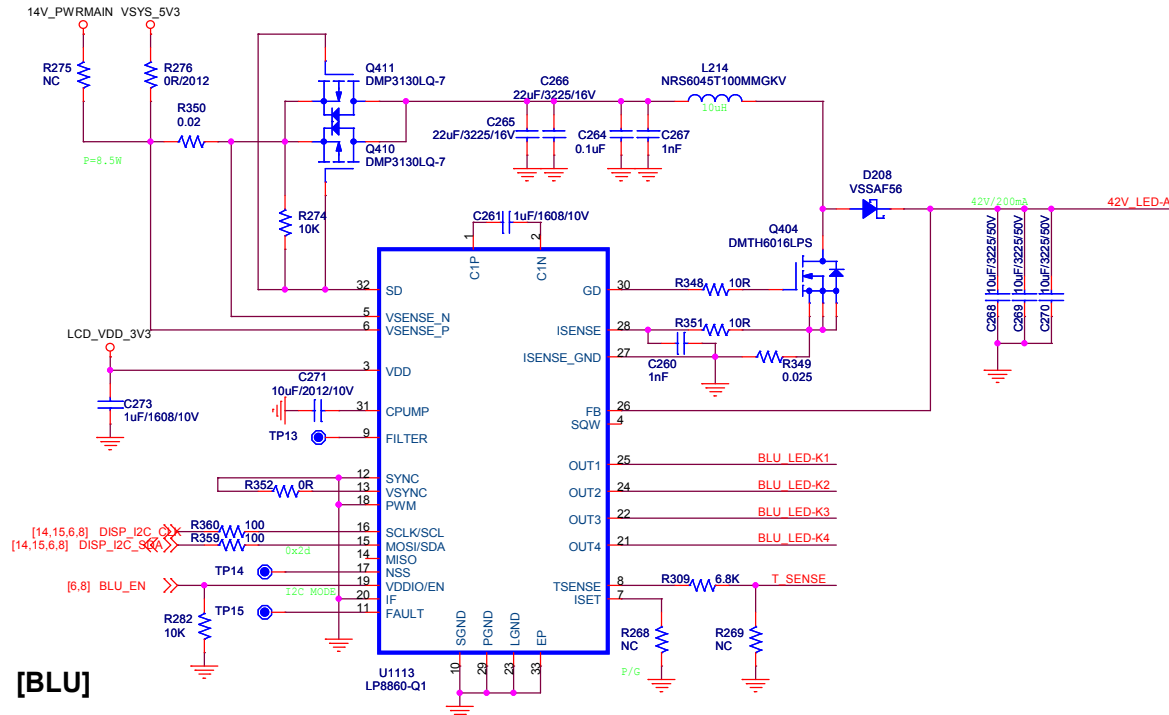


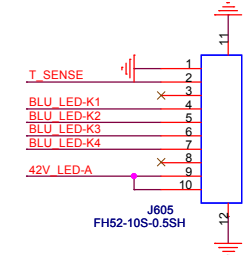
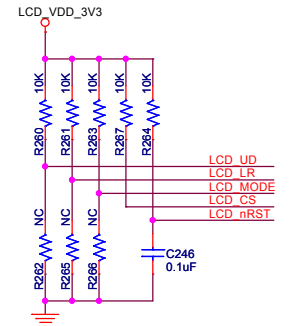
[LCD BIAS]



To. TFT-LCD (P/No.: GPM1716A0)



[BLU]



To. BLU

Title		15. LCD
Size	Document Number	SJ-H22SL
A3		
Date:	Wednesday, July 22, 2020	Sheet 15 of 15
		Rev V0.1