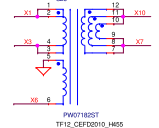


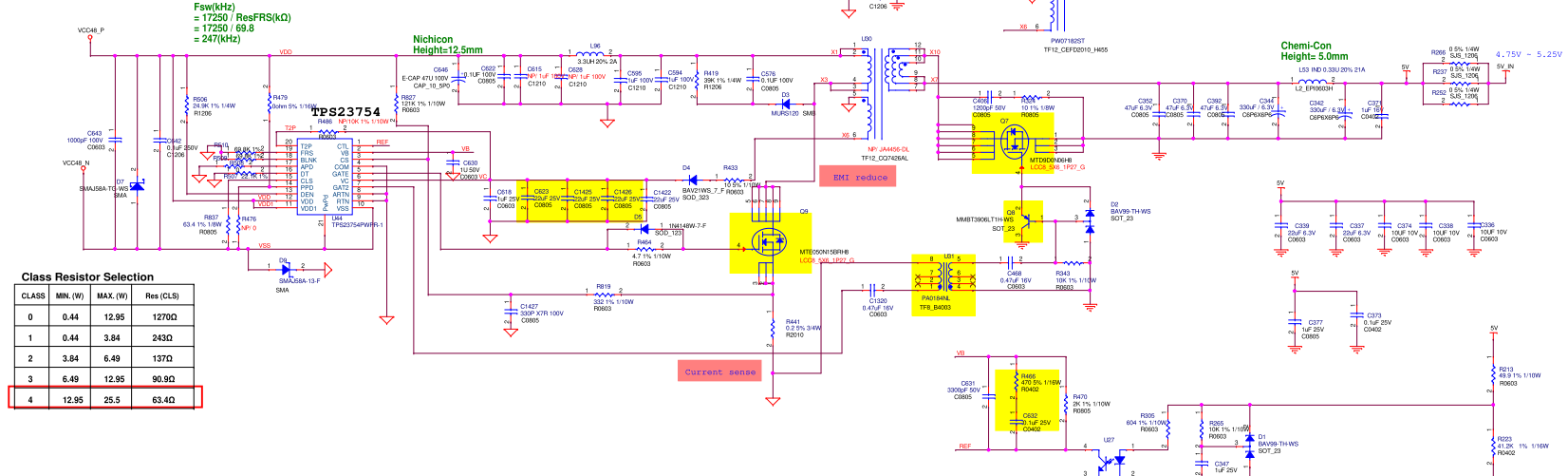
Option



F_{sw}(kHz)
= 17250 / ResF_{RS}(kΩ)
= 17250 / 69.8
= 247(kHz)

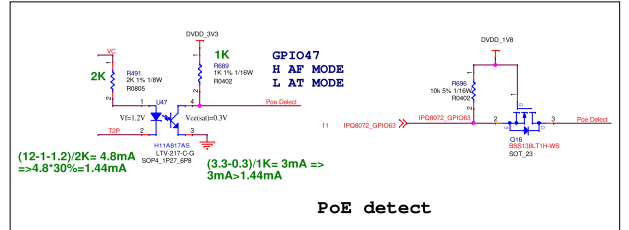
Nichicon
Height=12.5mm

Chemi-Con
Height=5.0mm



Class Resistor Selection

CLASS	MIN. (W)	MAX. (W)	Res (CLS)
0	0.44	12.95	1270Ω
1	0.44	3.84	243Ω
2	3.84	6.49	137Ω
3	6.49	12.95	90.9Ω
4	12.95	25.5	63.4Ω



DC Jack for test only

Adaptor Input
21.6V ~ 57VDC

