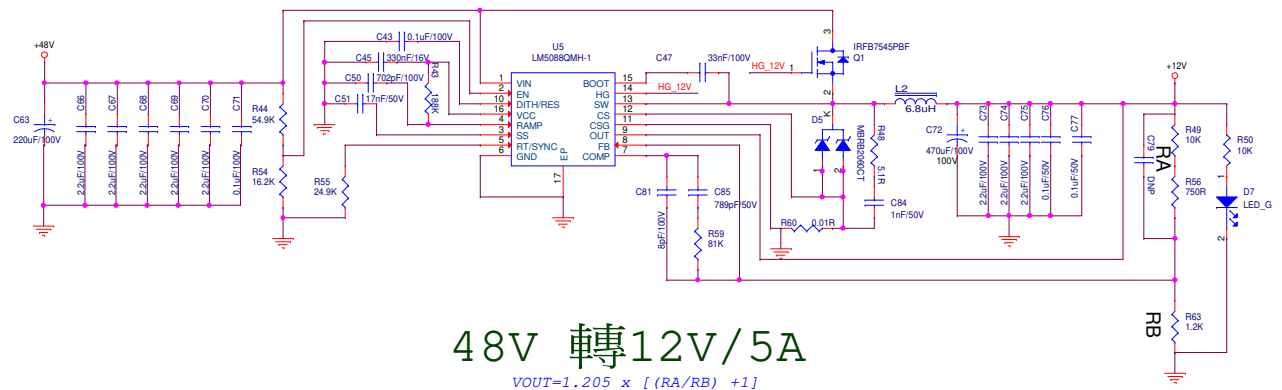


## 48V 轉 45V/5A

$$V_{OUT} = 1.205 \times \left[ \left( \frac{R_A}{R_B} \right) + 1 \right]$$



## 48V 轉 12V/5A

$$V_{OUT} = 1.205 \times \left[ \left( \frac{R_A}{R_B} \right) + 1 \right]$$