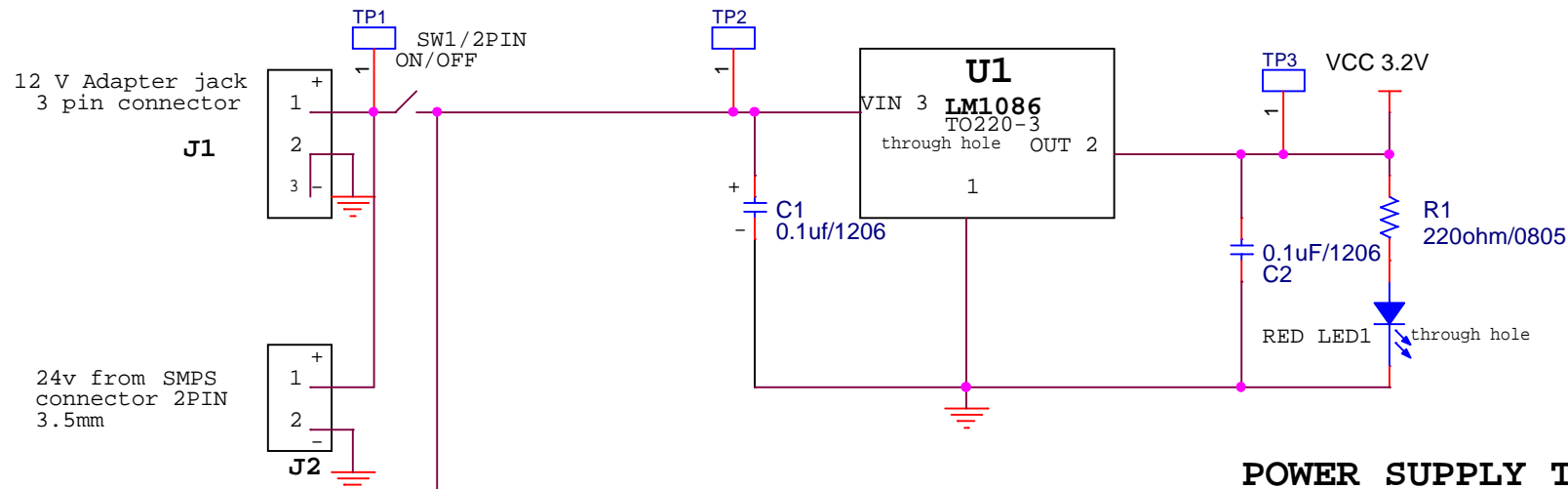
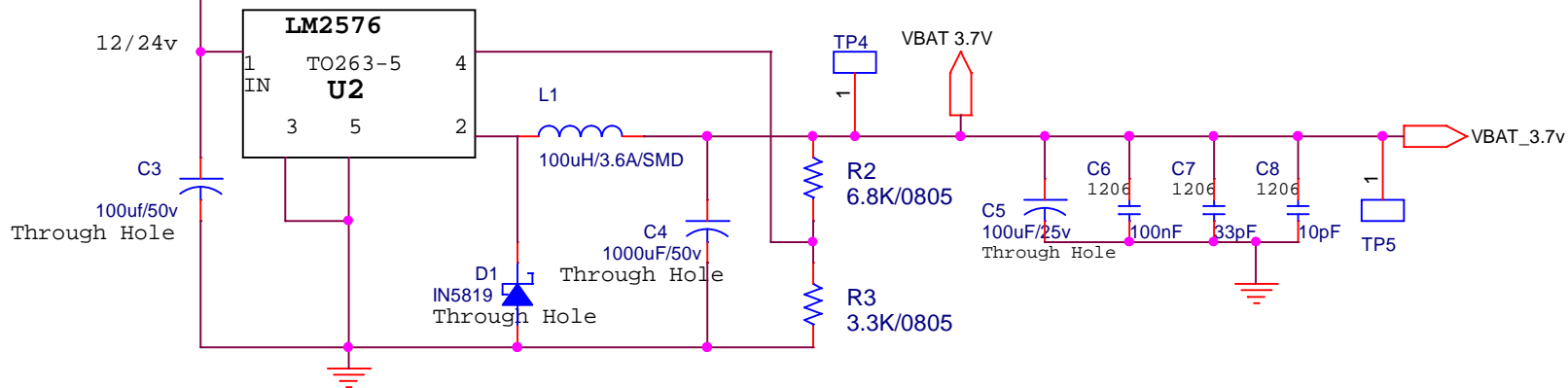


POWER SUPPLY:



POWER SUPPLY TO M95:



Emelite Tech Solutions		
Size A	Document Number PWR Supply Ref Design	Rev V1.1
Date:	Thursday, January 25, 2018	Sheet 2 of 5