

1 2 3 4 5 6

A

TriacSwitchAnalog

File: TSAnalog.kicad_sch

TriacSwitchPIC

File: TSPic.kicad_sch

TriacSwitchSupply

File: TSSupply.kicad_sch

B

C

D

SillyCon

Sheet: /

File: TriacSwitch.kicad_sch

Title: Triac Switch

Size: A4

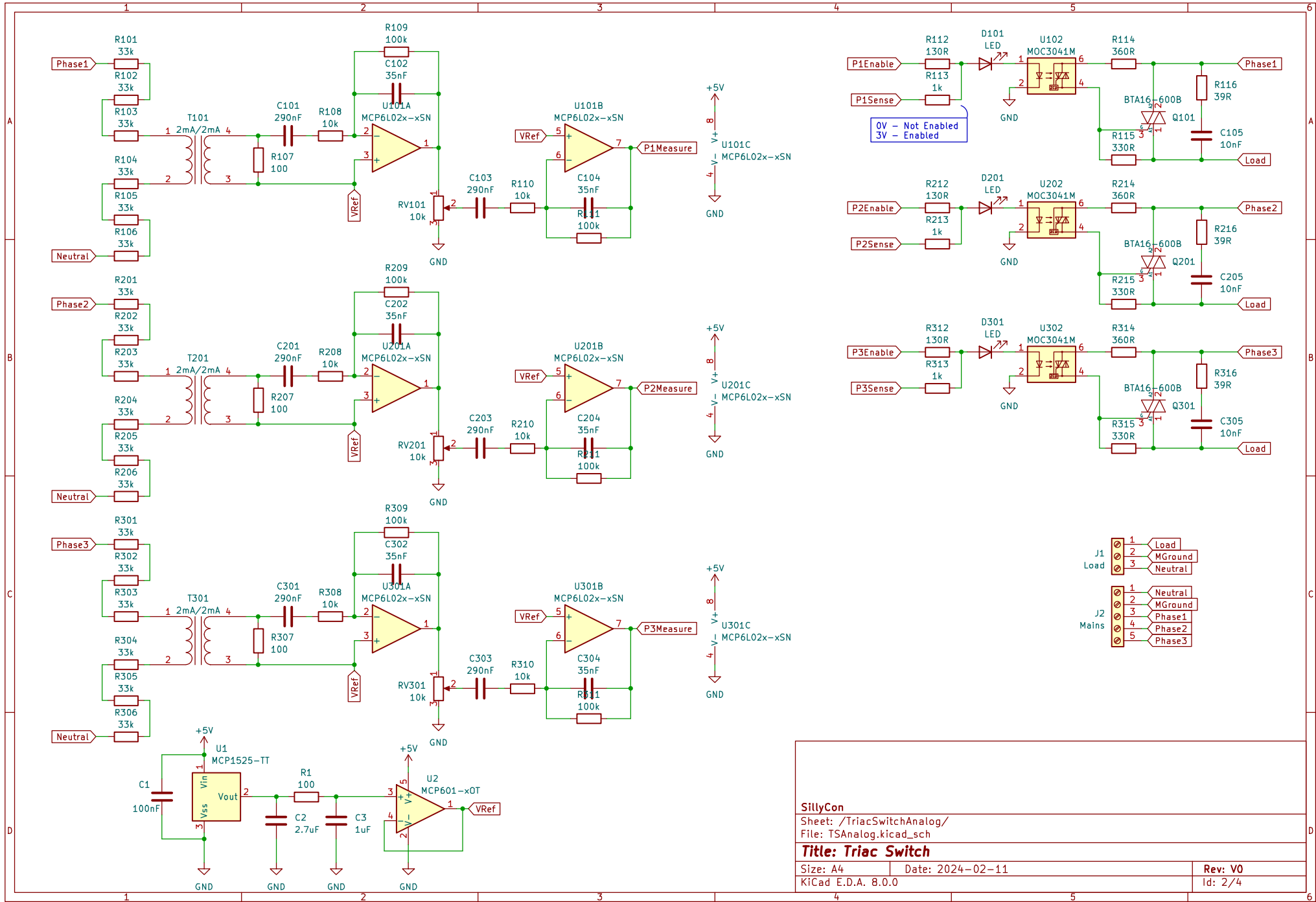
Date: 2024-02-11

Rev: V0

KiCad E.D.A. 8.0.0

Id: 1/4

6



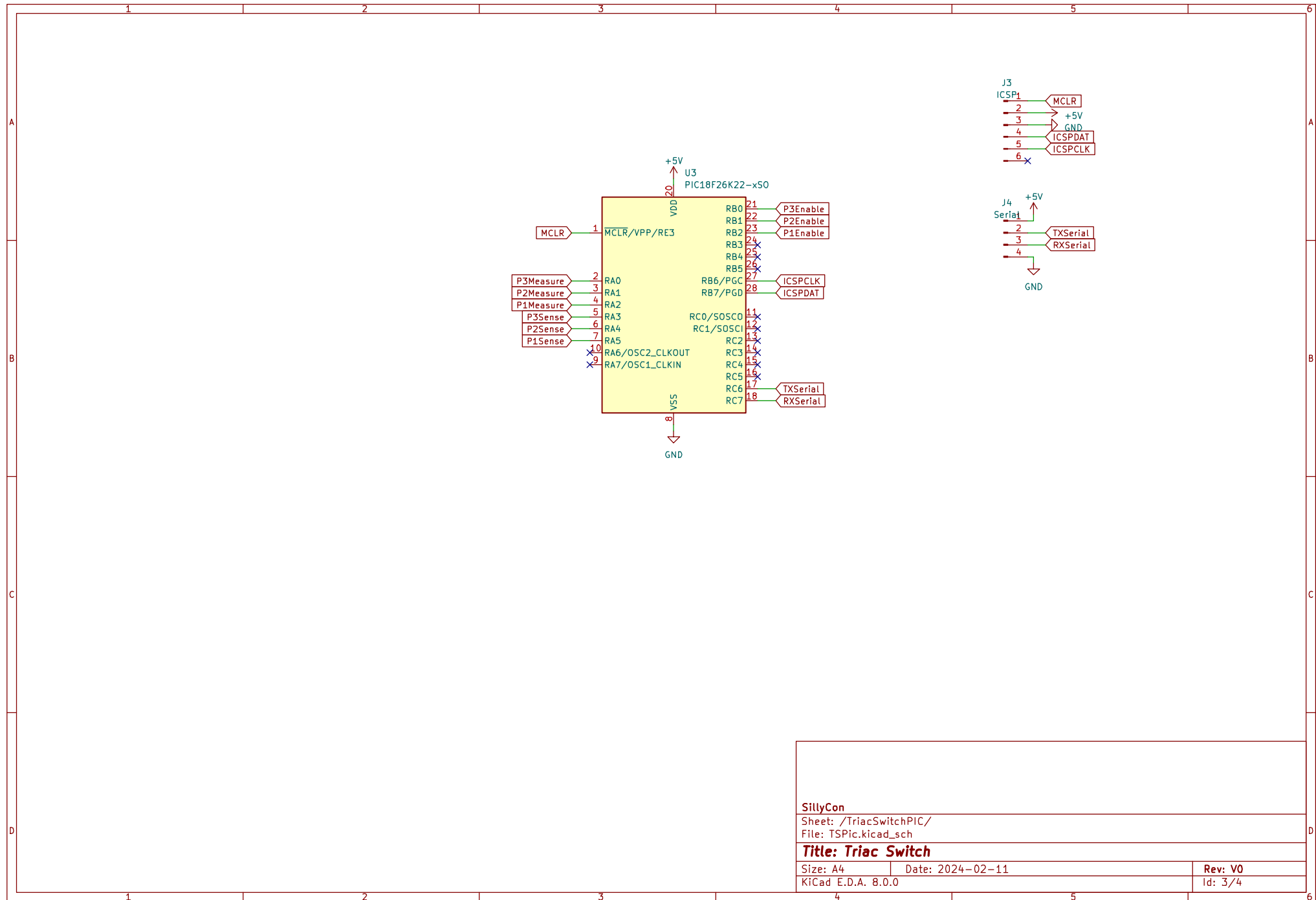
SillyCon

Sheet: /TriacSwitchAnalog/
 File: TSAAnalog.kicad_sch

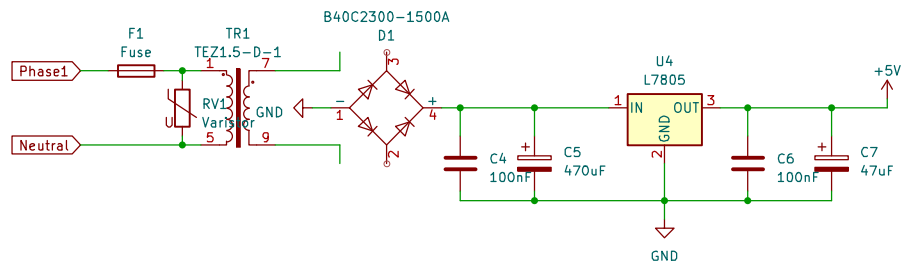
Title: Triac Switch

Size: A4 Date: 2024-02-11
 KiCad E.D.A. 8.0.0

Rev: V0
 Id: 2/4



| | | |
|----------------------------|------------------|---------|
| SillyCon | | |
| Sheet: /TriacSwitchPIC/ | | |
| File: TSPic.kicad_sch | | |
| Title: Triac Switch | | |
| Size: A4 | Date: 2024-02-11 | Rev: V0 |
| KiCad E.D.A. 8.0.0 | | Id: 3/4 |



SillyCon

Sheet: /TriacSwitchSupply/
File: TSSupply.kicad_sch

Title: Triac Switch

Size: A4 Date: 2024-02-11

Rev: V0

KiCad E.D.A. 8.0.0

Id: 4/4