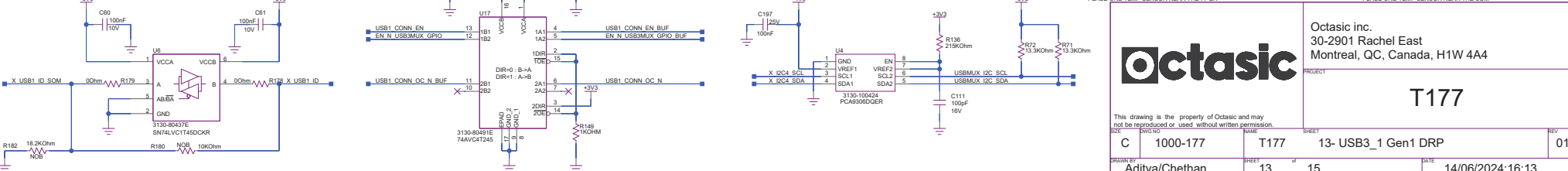
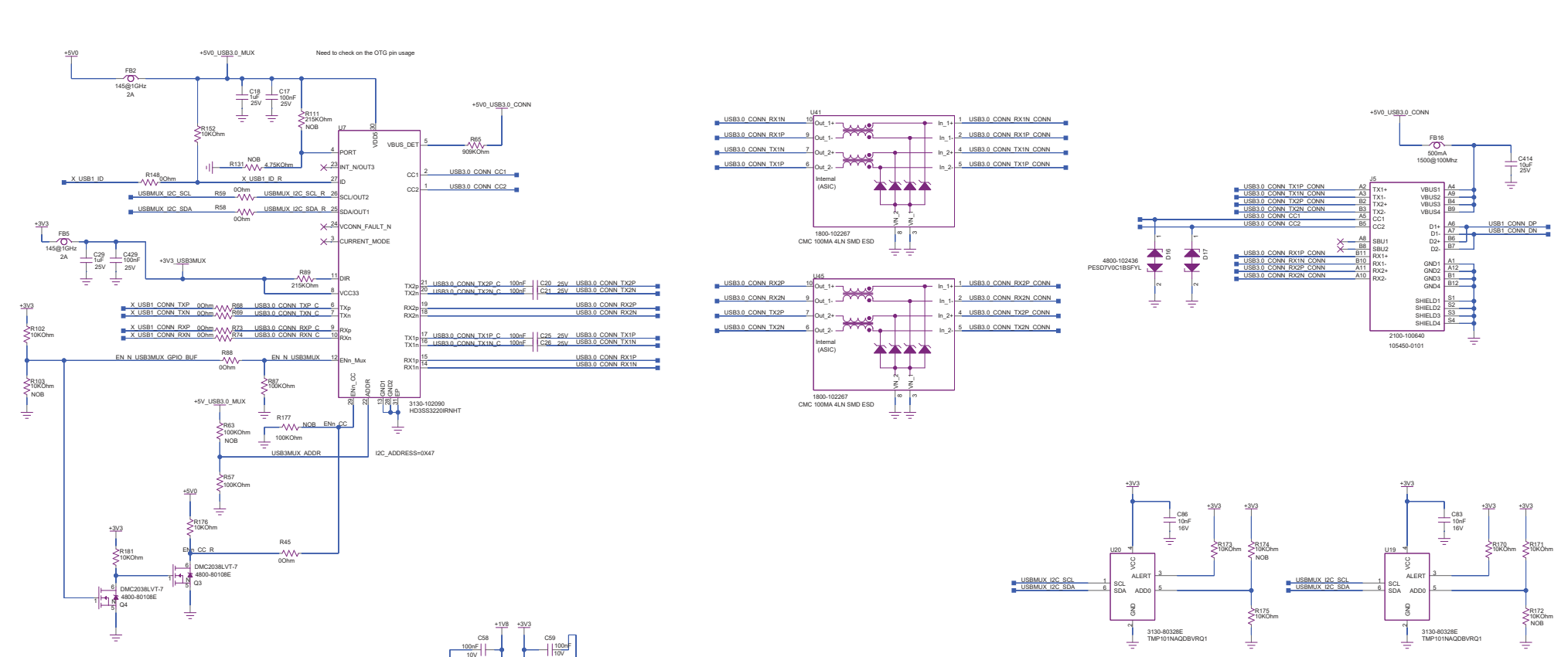
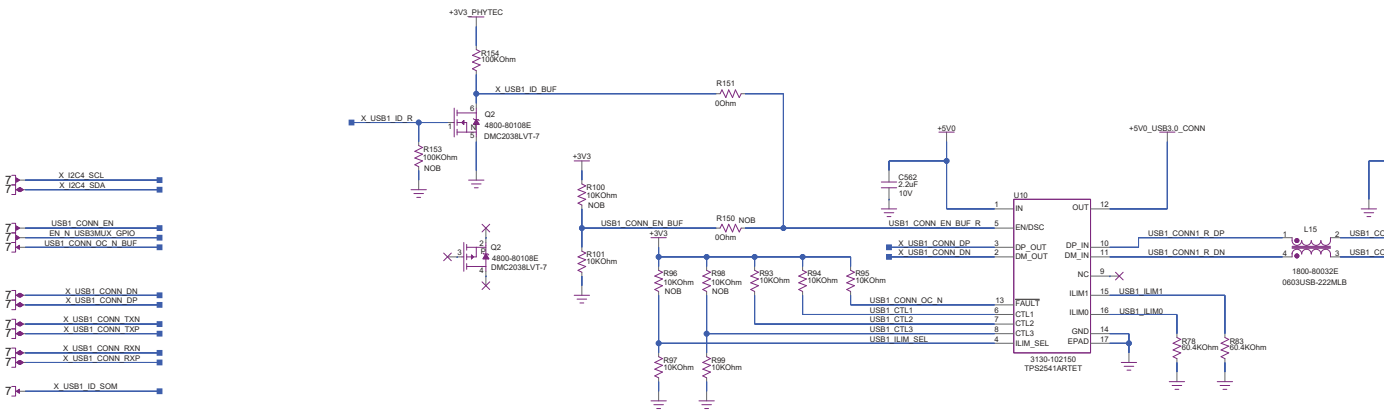




# USB3.1 Gen1 DRP



PLACE ONE TEMP SENSOR NEAR THE FPGA

PLACE ONE TEMP SENSOR NEAR THE SOM

Octasic inc.  
30-2901 Rachel East  
Montreal, QC, Canada, H1W 4A4

**T177**

This drawing is the property of Octasic and may not be reproduced or used without written permission.

| DESIGN ID      | SHEET | DATE               | REV              |
|----------------|-------|--------------------|------------------|
| C 1000-177     | T177  | 13-USB3_1 Gen1 DRP | 01               |
| DESIGNED BY    | SHEET | OF                 | DATE             |
| Aditya/Chethan | 13    | 15                 | 14/06/2024:16:13 |