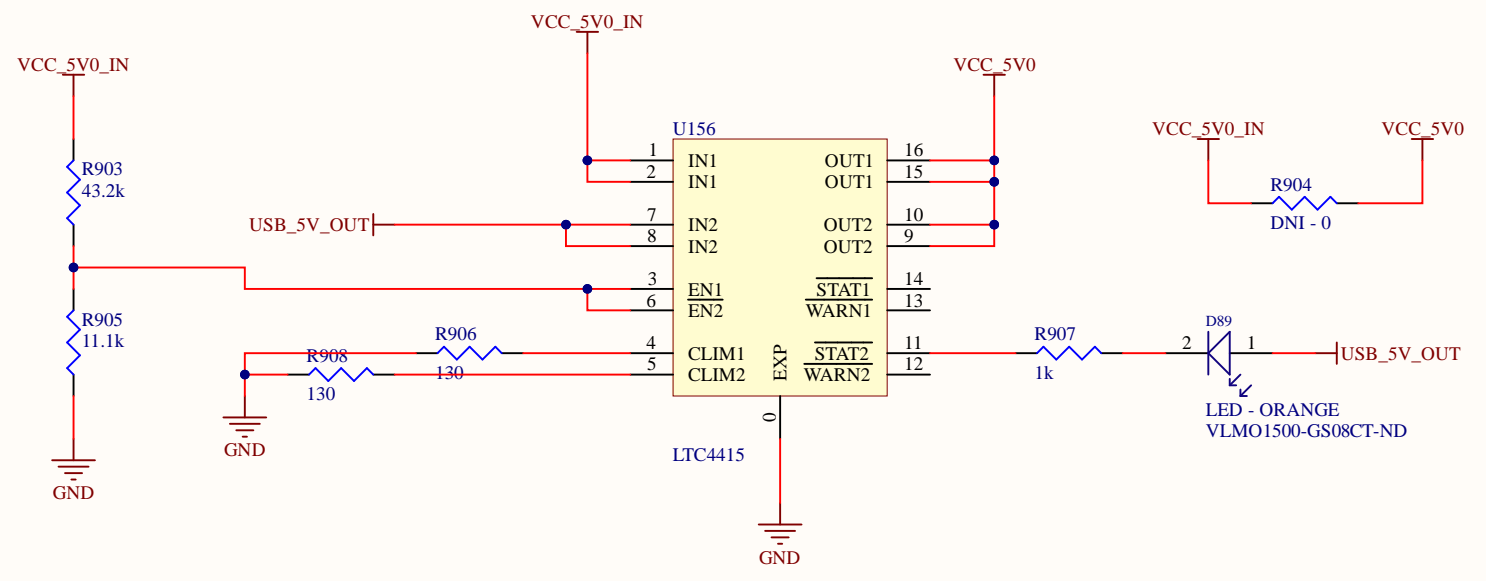
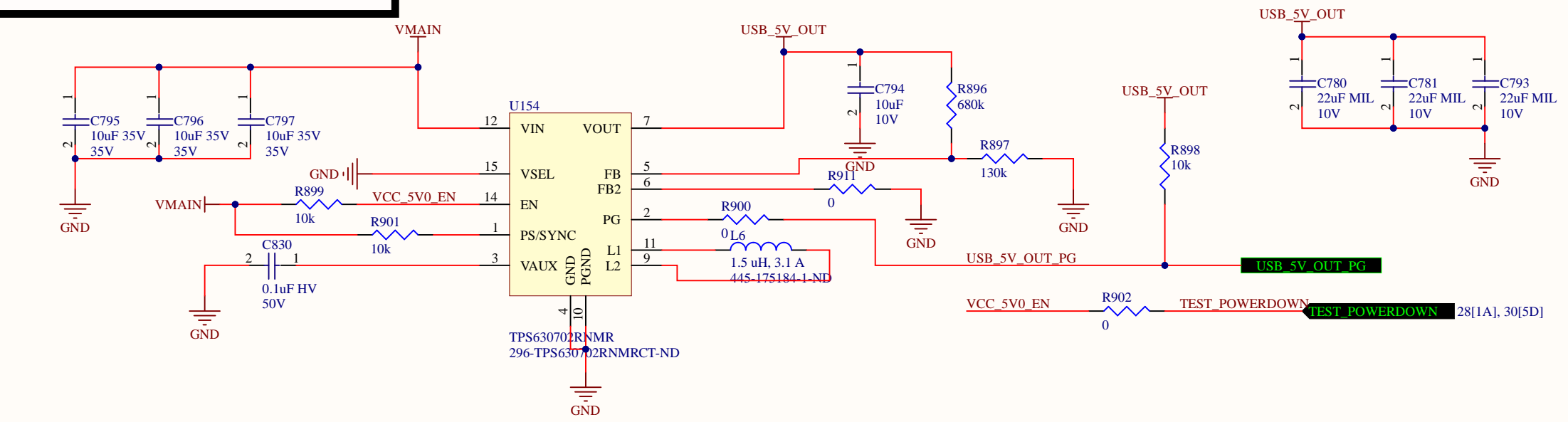
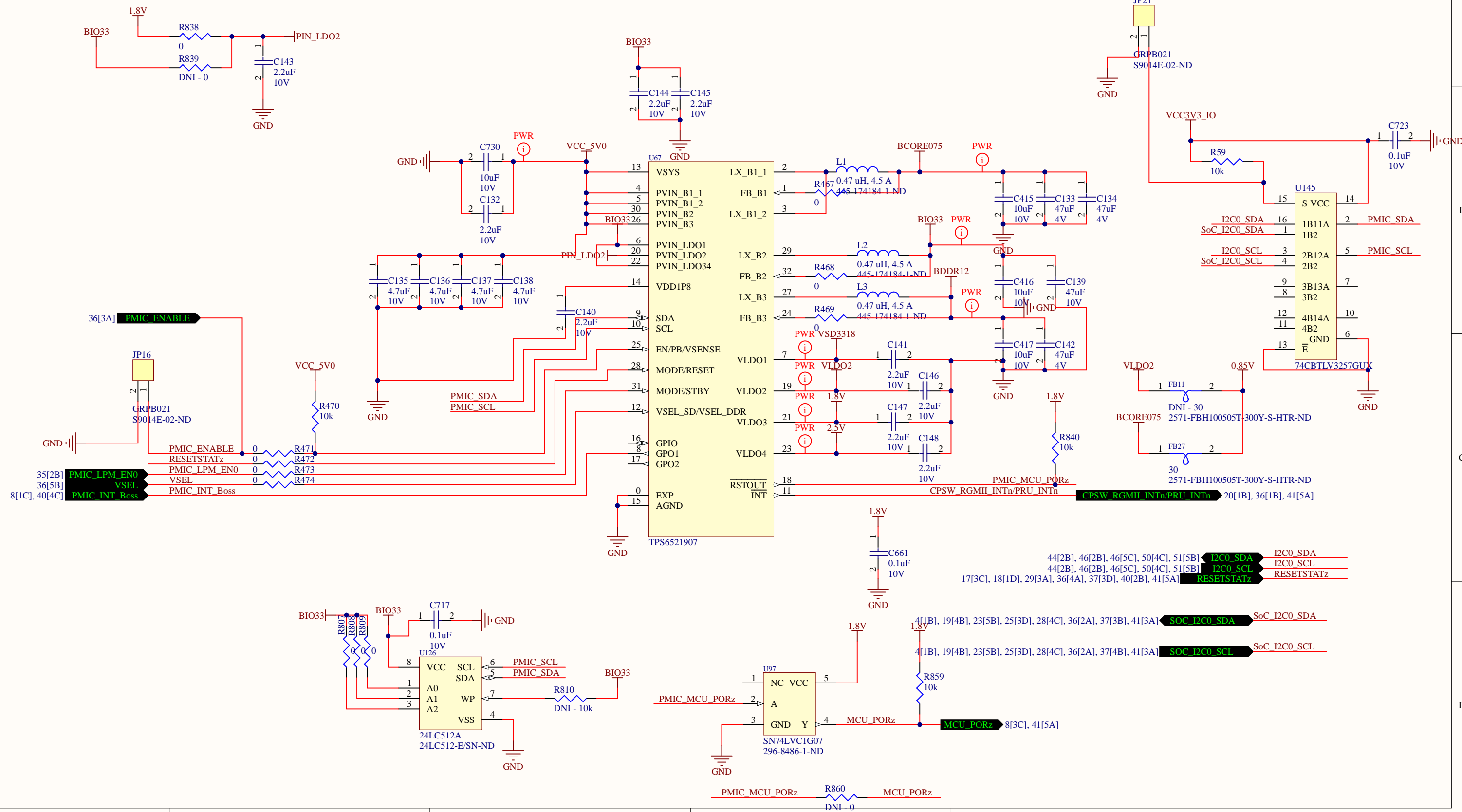


USBPD CONDITIONING



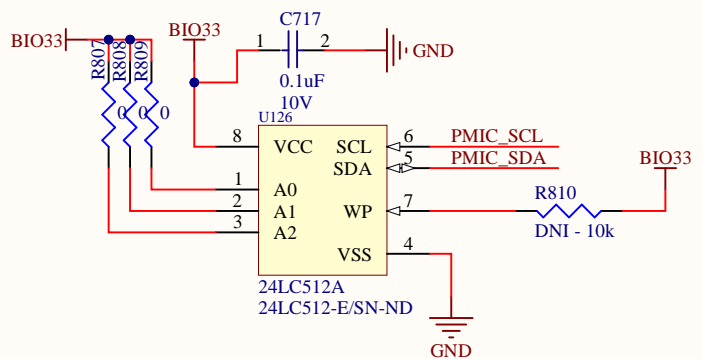
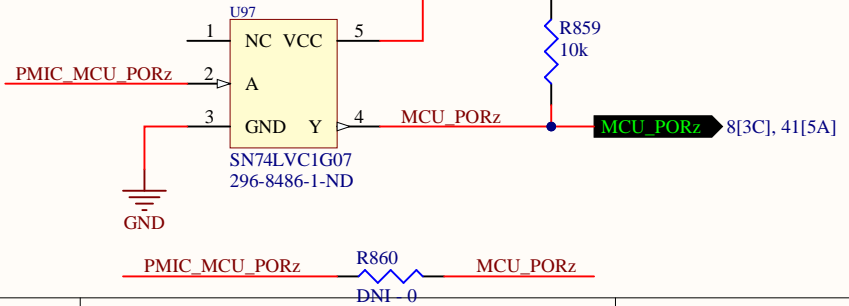
POWER 1

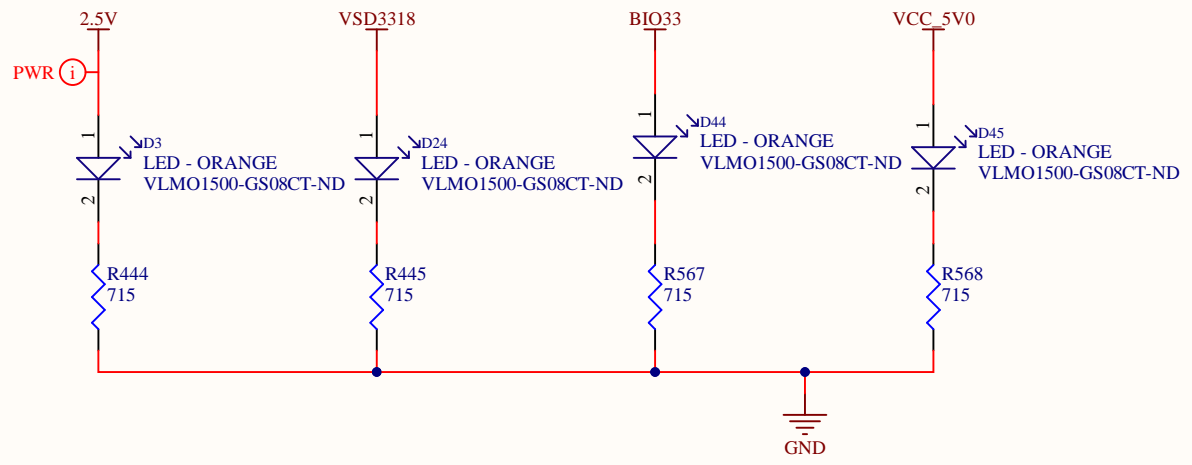
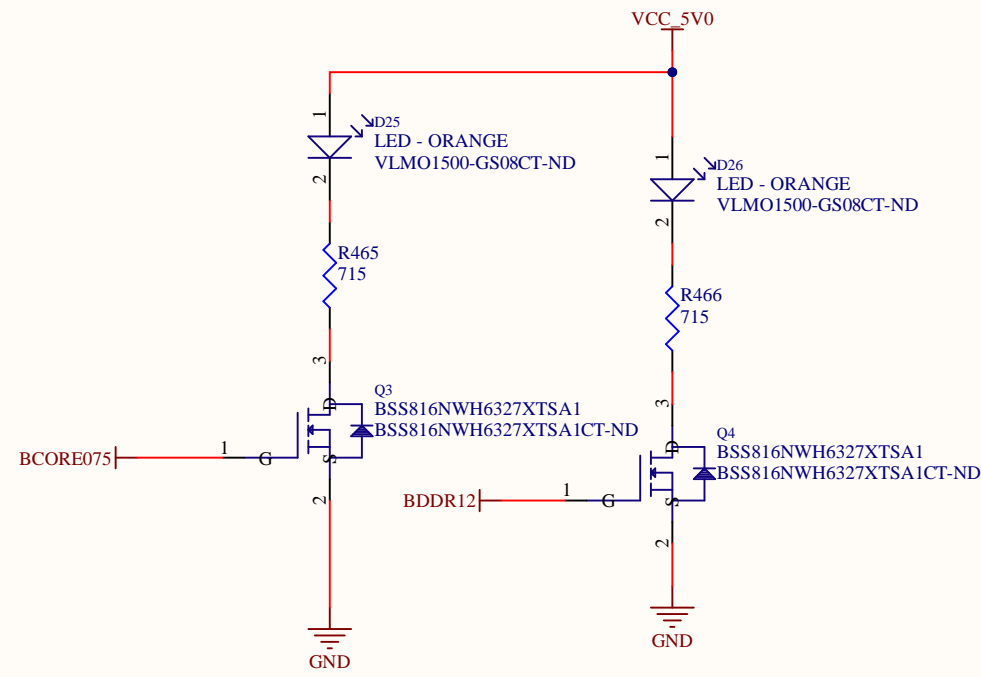
BCORE075	1	0.75	TestPad
BIO33	1	3.3	TestPad
BDDR12	1	1.2	TestPad
VSD3318	1	3318	TestPad
0.85V	1	0.85	TestPad
1.8V	1	1.8	TestPad
2.5V	1	2.5	TestPad
MCU_PORz	1	PORz	TestPad



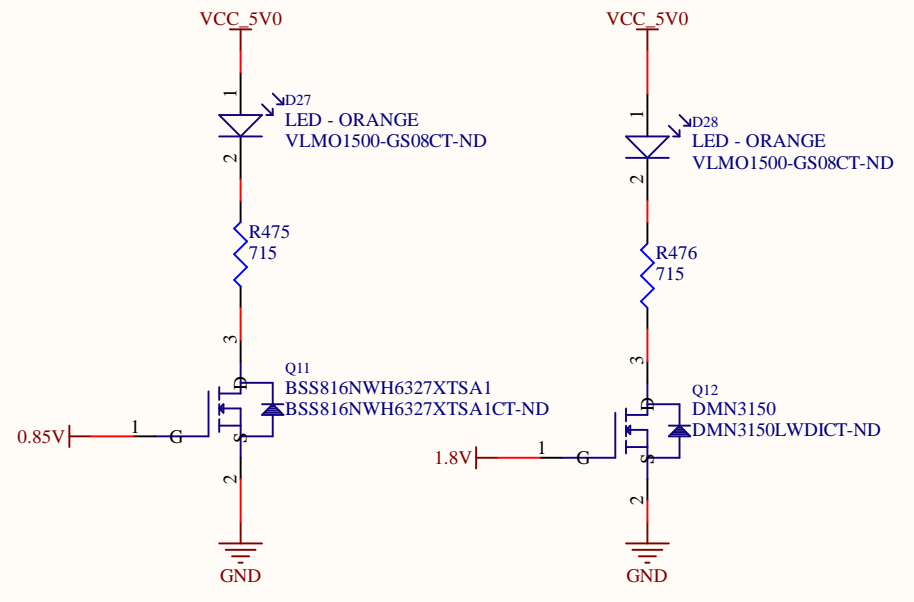
44[2B], 46[2B], 46[5C], 50[4C], 51[5B]	I2C0_SDA
44[2B], 46[2B], 46[5C], 50[4C], 51[5B]	I2C0_SCL
17[3C], 18[1D], 29[3A], 36[4A], 37[3D], 40[2B], 41[5A]	RESETSTATz

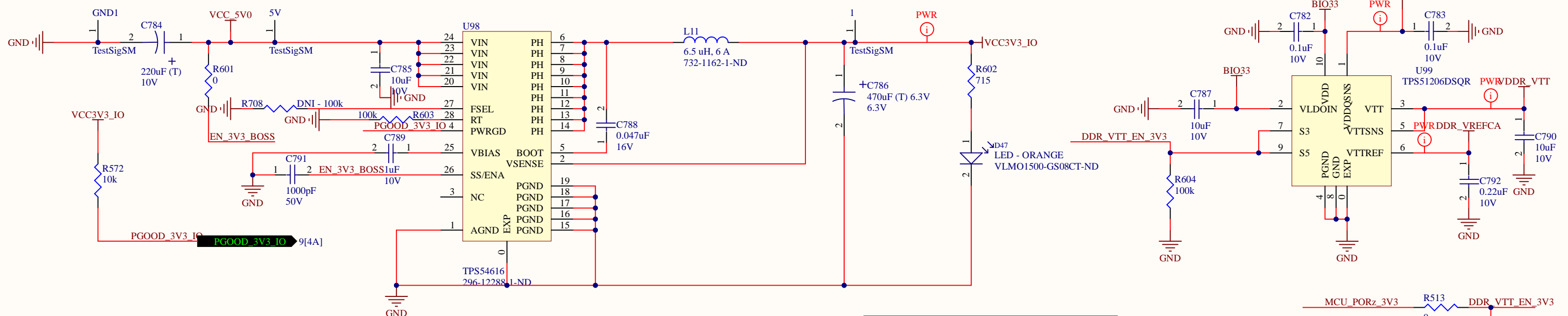
4[1B], 19[4B], 23[5B], 25[3D], 28[4C], 36[2A], 37[3B], 41[3A]	SoC_I2C0_SDA
4[1B], 19[4B], 23[5B], 25[3D], 28[4C], 36[2A], 37[4B], 41[3A]	SoC_I2C0_SCL



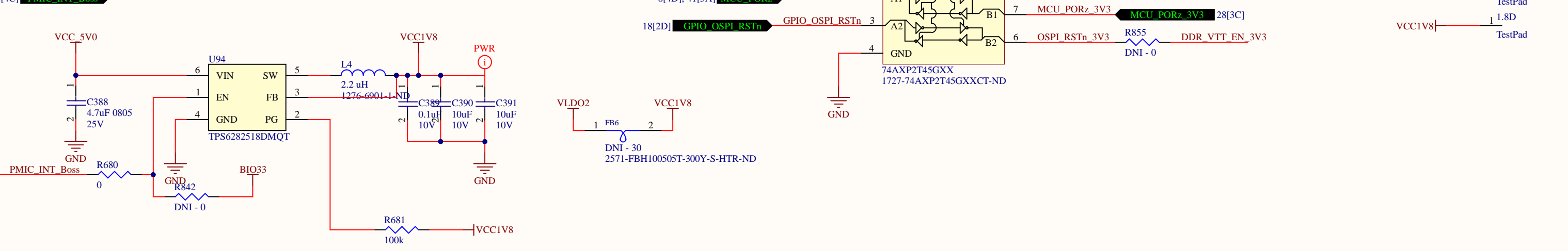
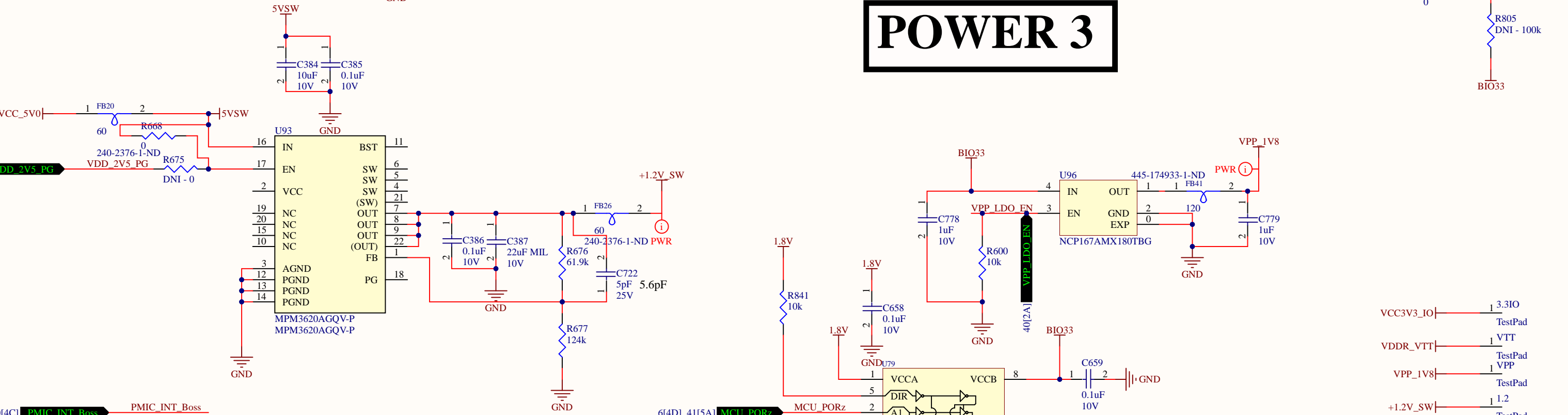


PMIC LEDs

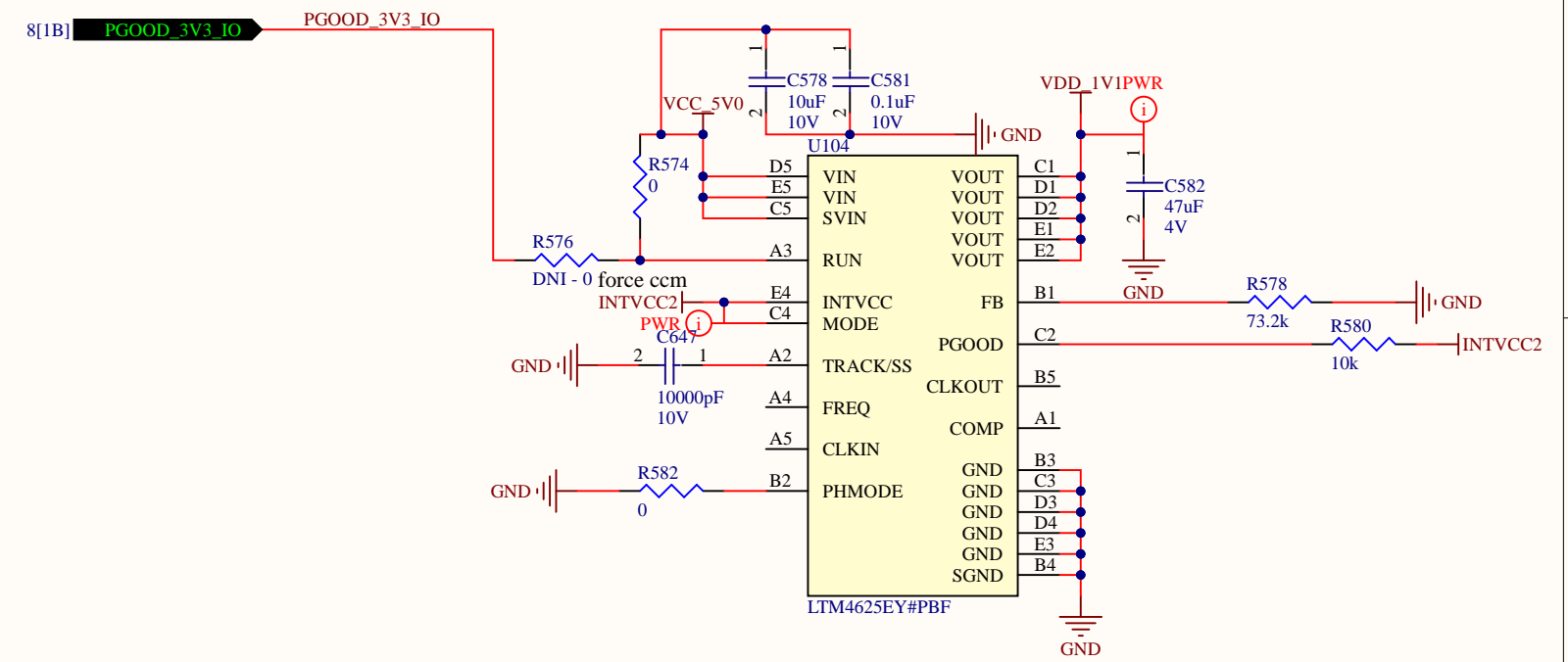
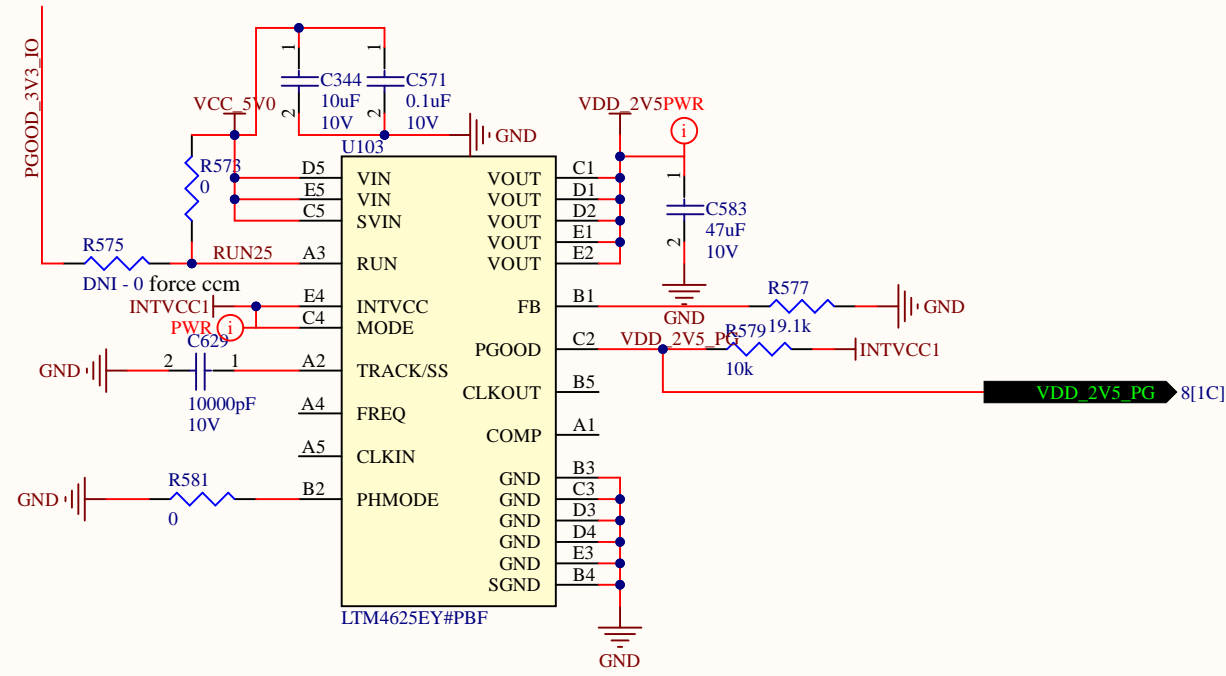




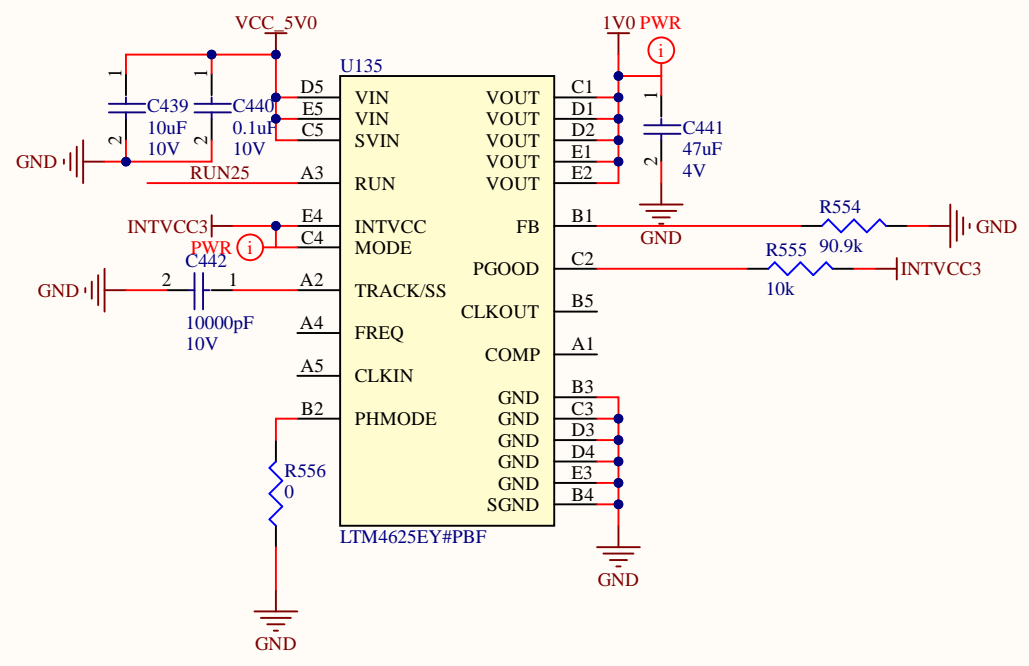
POWER 3

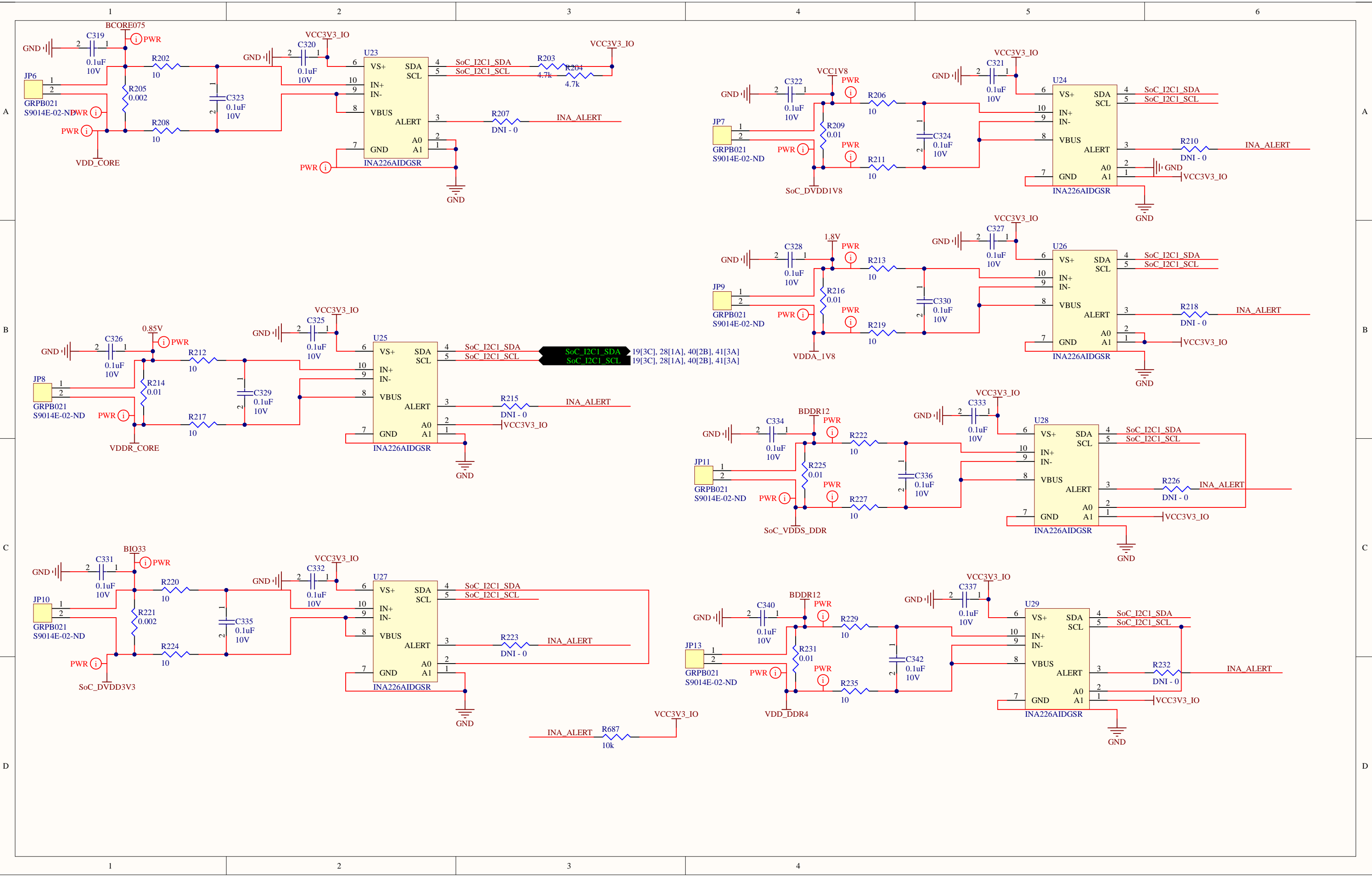


- VCC3V3_IO | 1 | 3.3IO | TestPad
- VDDR_VTT | 1 | VTT | TestPad
- VPP_1V8 | 1 | VPP | TestPad
- +1.2V_SW | 1 | 1.2 | TestPad
- VCC1V8 | 1 | 1.8D | TestPad



ETHERNET PHY REGULATORS





A

B

C

D

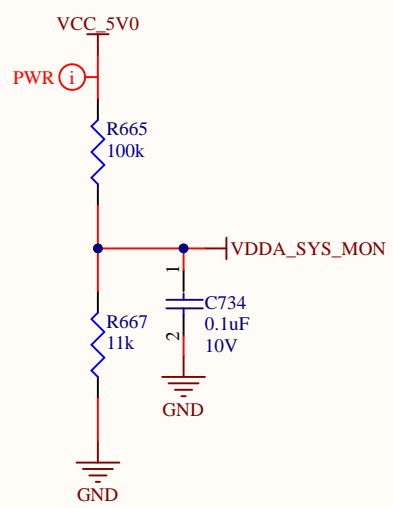
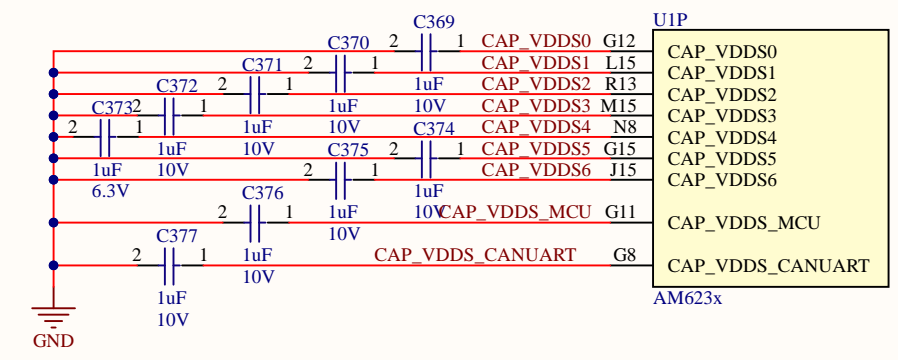
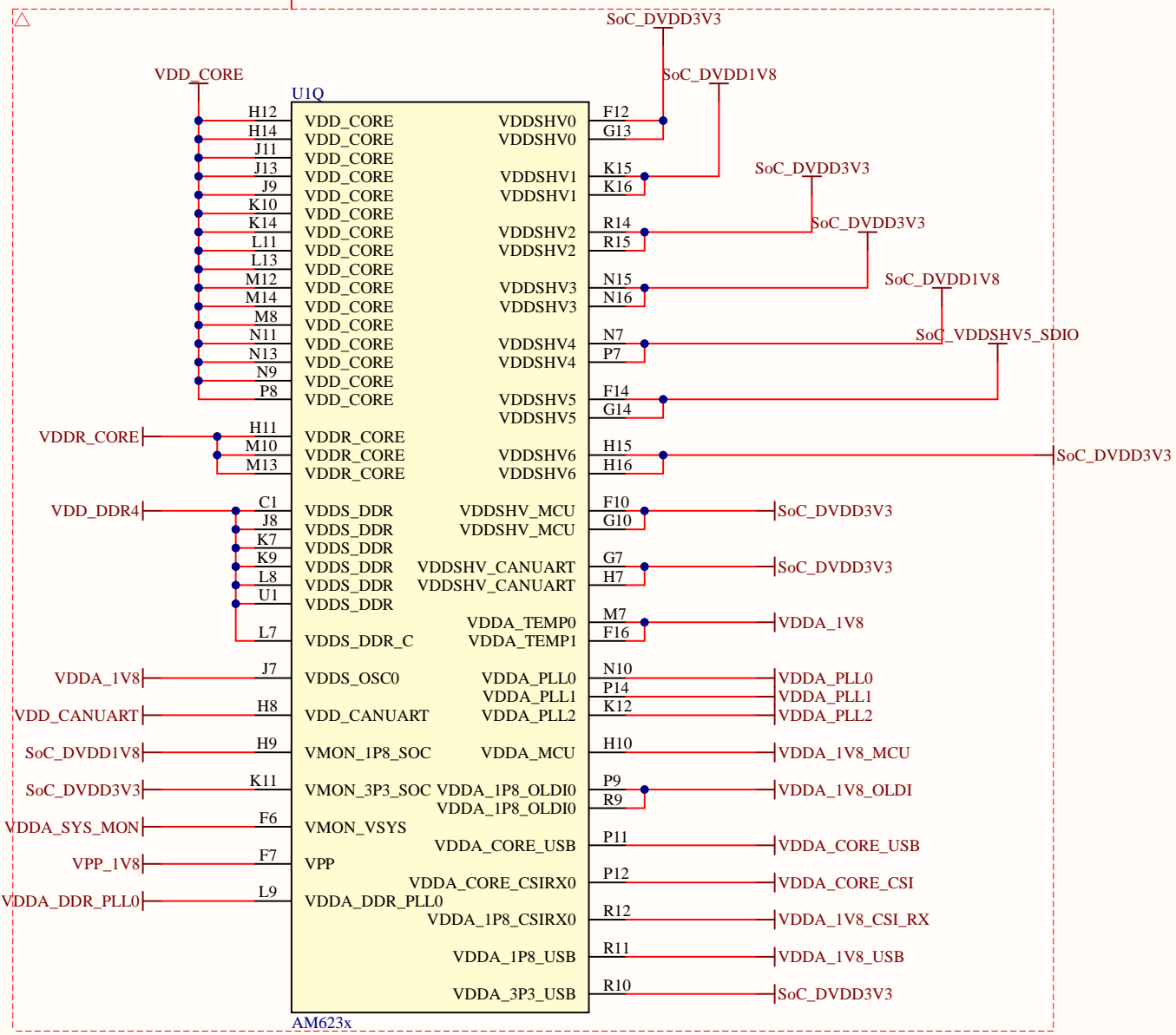
A

B

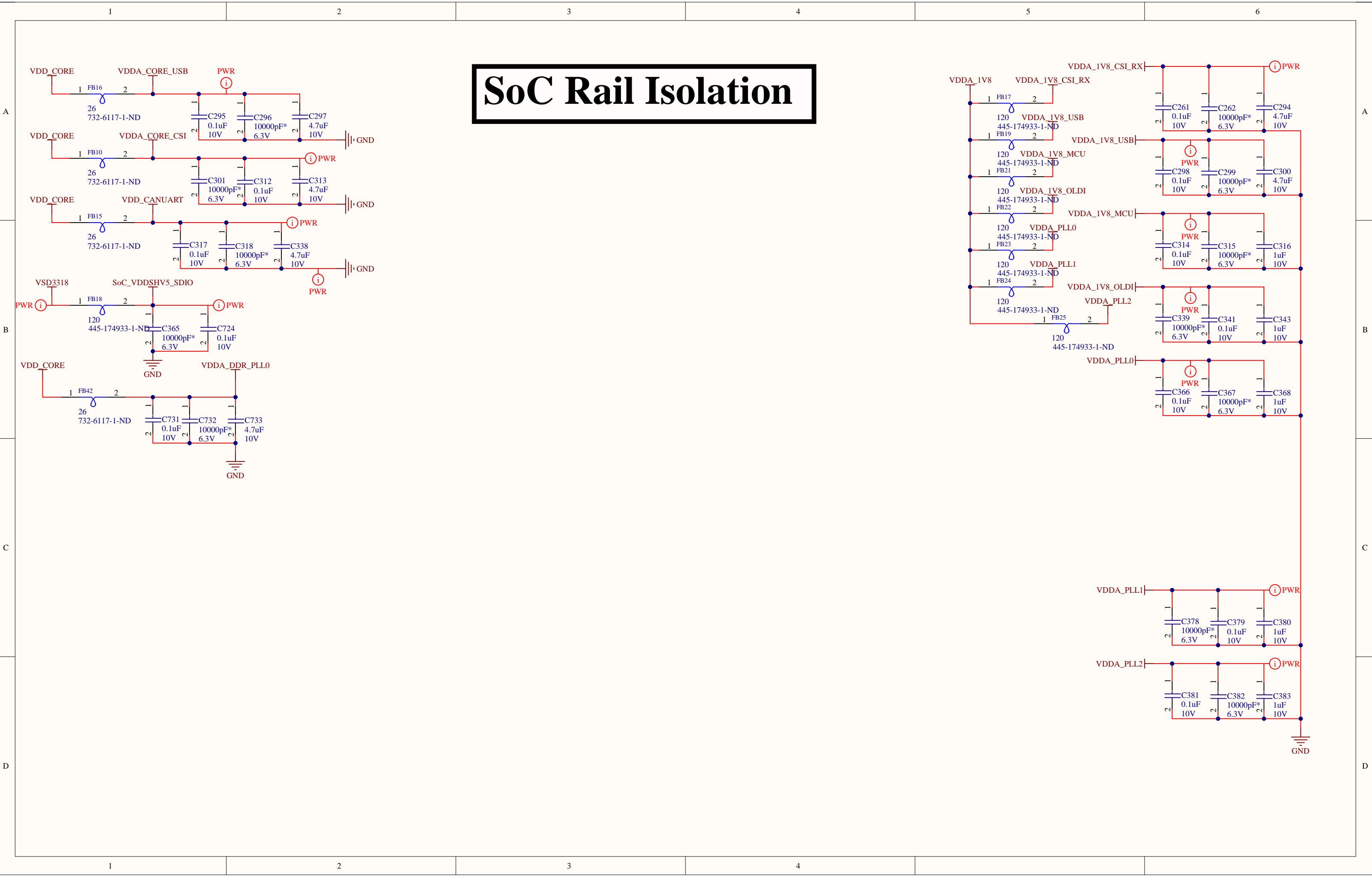
C

D

PWR



SoC Rail Isolation



1

2

3

4

5

6

A

A

B

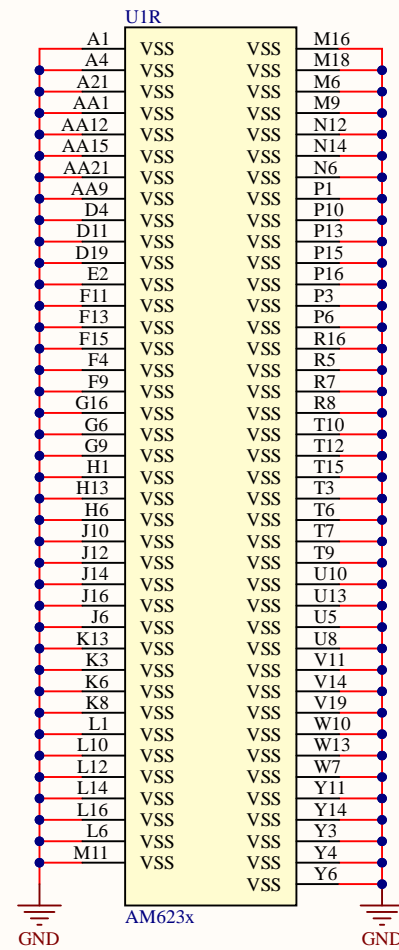
B

C

C

D

D



1

2

3

4

5

6

