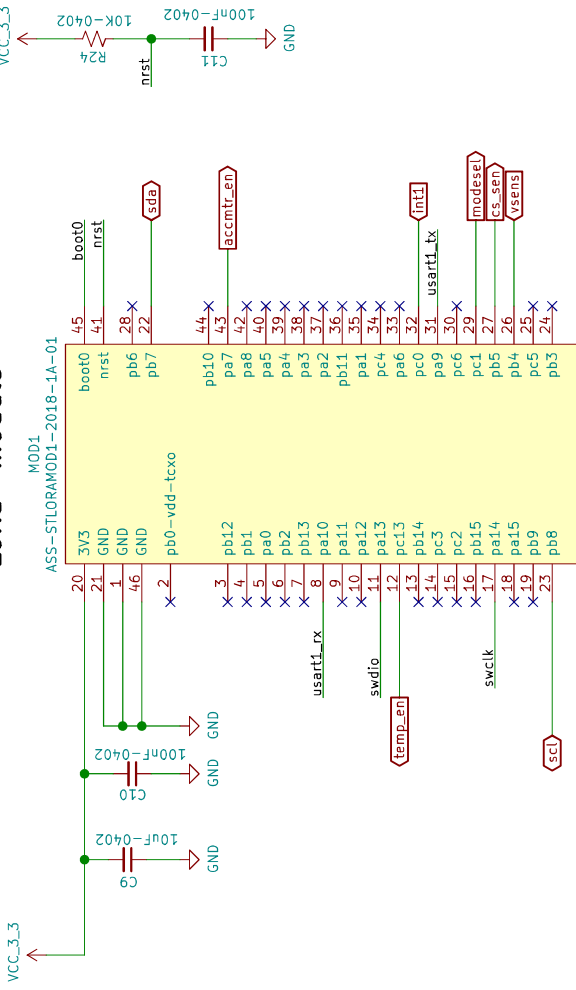
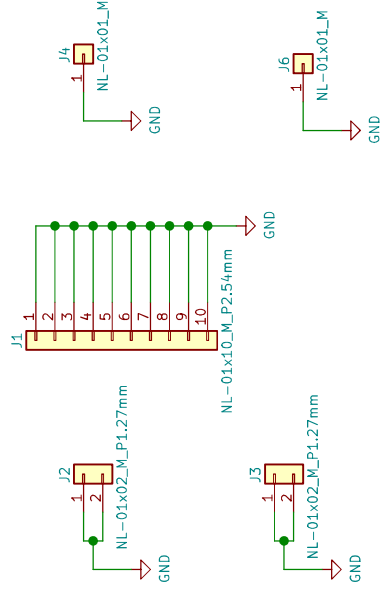


LORA MODULE INTERFACE

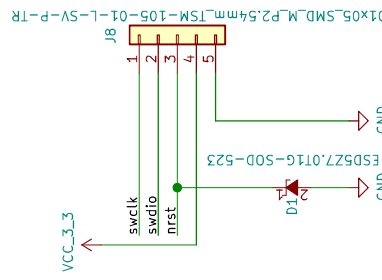
LoRa module



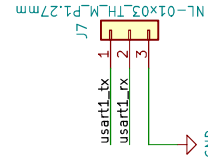
Mechanical Support Header with ANT pcb in Enclosure



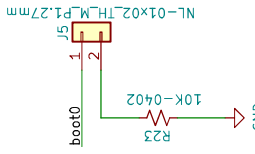
Programming Header



Debug Header



Boot Header



Copyright © 2020 System Level Solutions, Inc. All rights reserved.

Sheet Name: /lora module/

Title: STM LoRa bolus sensor

Size: A4 Document Number: PCB-STILORASEN-2020-1A-01 Revision: 1A Version: 01

Date: 2020-08-11 Sheet: 5/6