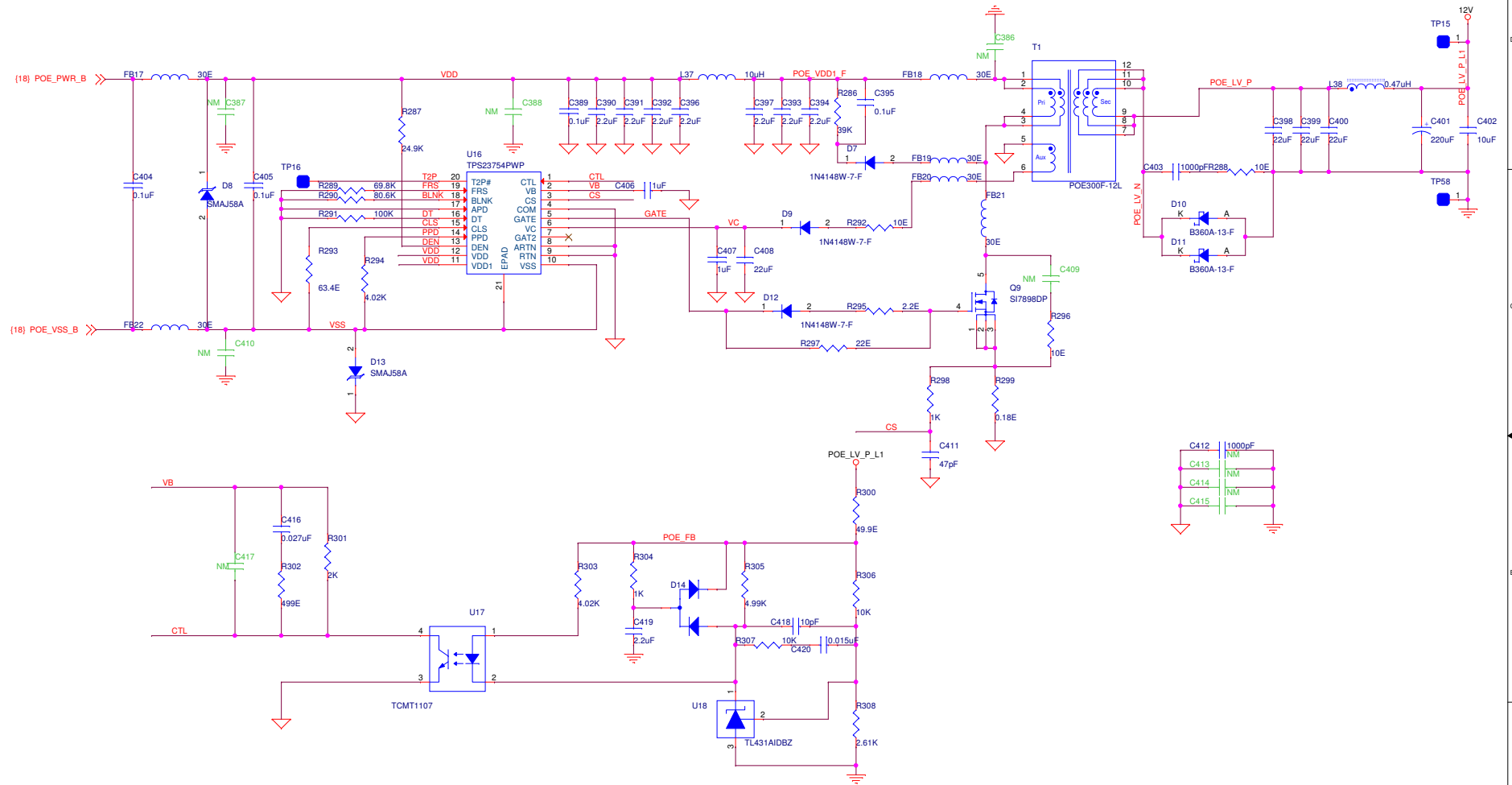



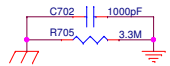
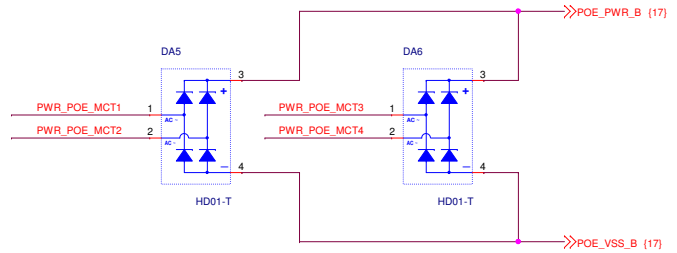
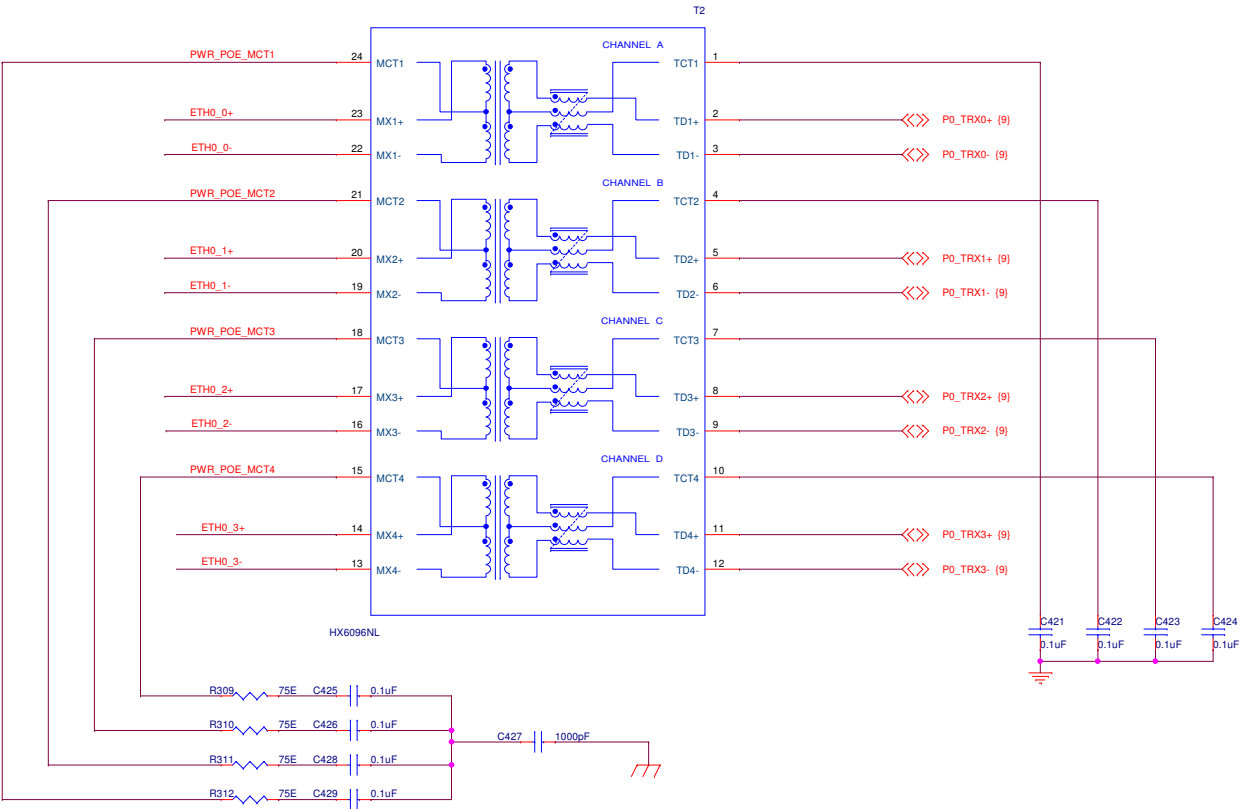
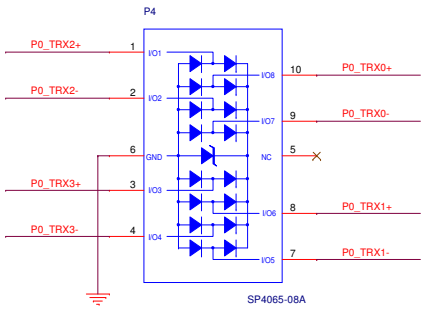
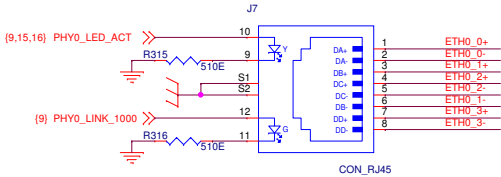
# PoE\_CONTROLLER\_1



WAYU

	A3	Title : PoE_CONTROLLER_1	
	Fab No : 501_1_00485		Rev: B1
	Asy No : 701-1-00564		Sheet 17 of 21

# PoE\_CONTROLLER\_2



WAYU		Title : PoE_CONTROLLER_2	
A3	Fab No : 501_1_00485		Rev: B1
Asy No : 701-1-00564		Sheet 18 of 21	

