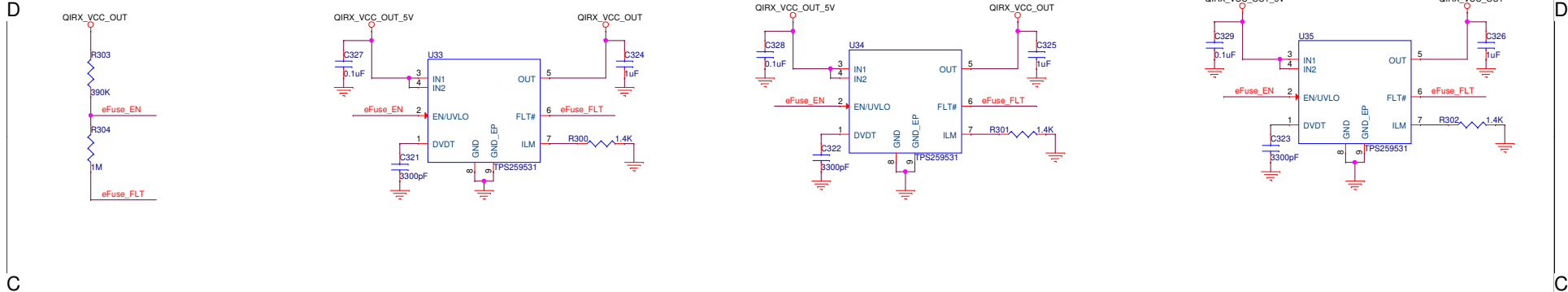


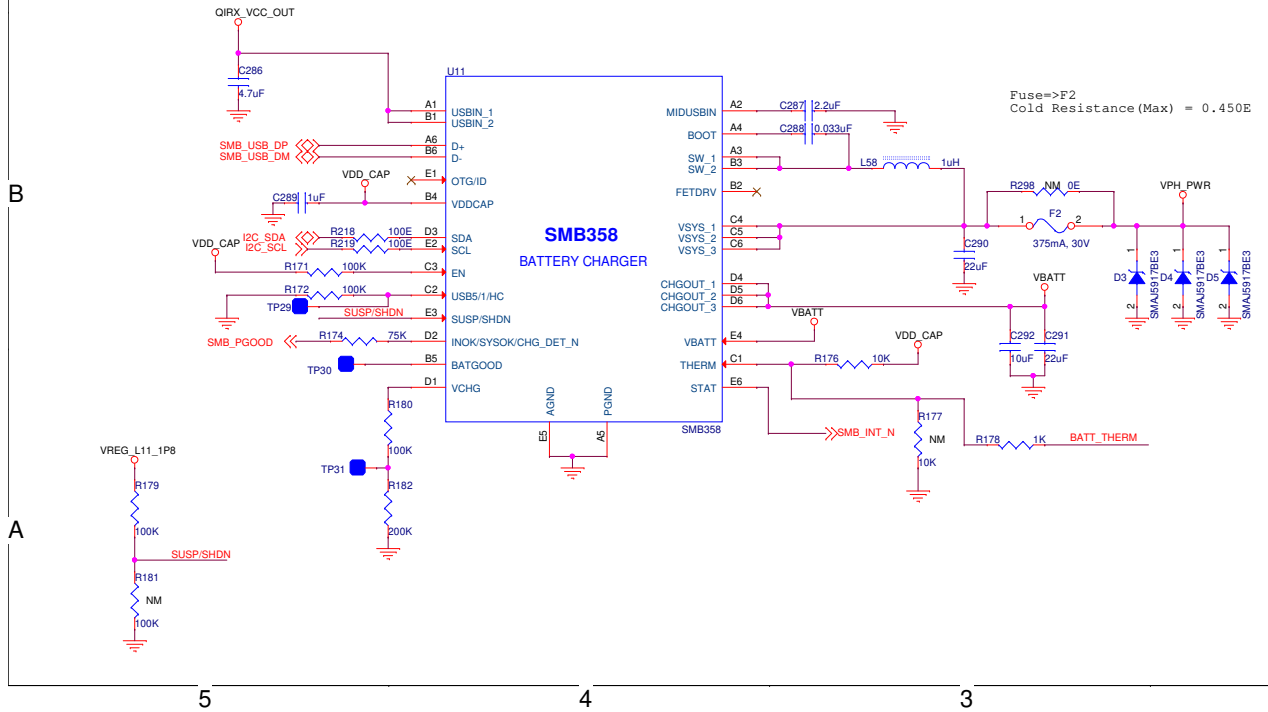
The Input of the fuse will not go beyond 5.5V in normal working condition however in case of fault condition the Voltage can go upto 12V

The current limit which we have set is ~1.4A. We want to use self controlled feature of the fuse. Is the resistor divider for Fuse en and FLT appropriate ?

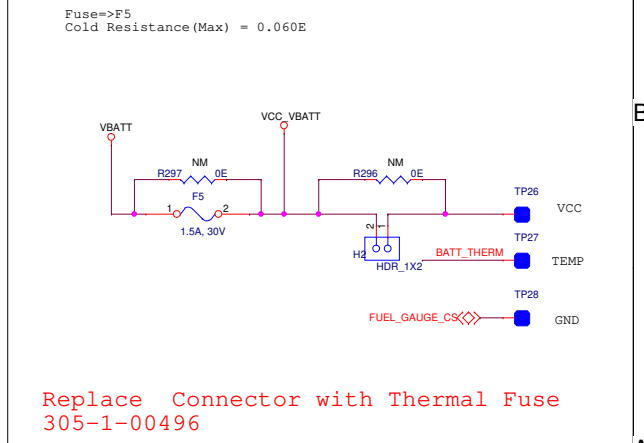
### eFuse



### SMB358



### BATTERY TESTPOINT (3000mAh Li-Po)



Core Design	
A3	Title: BATTERY_SMB358
Fab No: 501-1-00797	Rev: A0-31
Asy No: 701-1-00944	Sheet 20 of 22