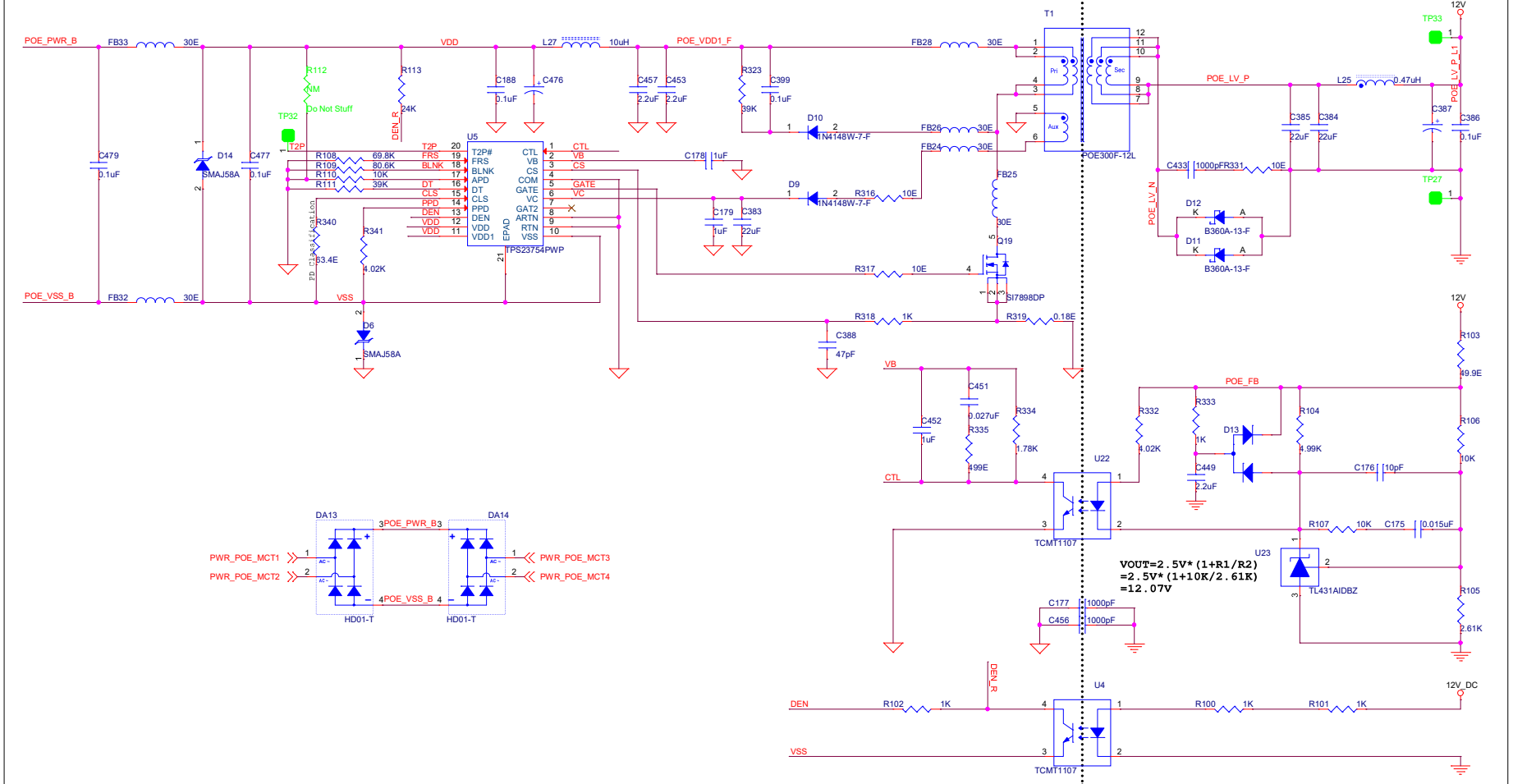
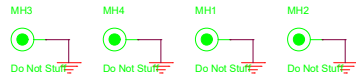


PD_CONTROLLER

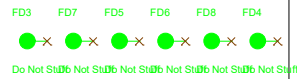
PD Controller (12V output, 2.5A)



Mounting Holes



Local Fiducials



Local Fiducials



Proto

	A3	Title: PD_CONTROLLER	
		Asy No: 701-1-00746	Rev: A2
		Fab No: 501-1-00639	Sheet 15 of 17