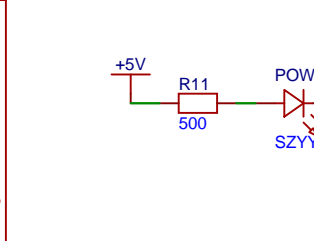
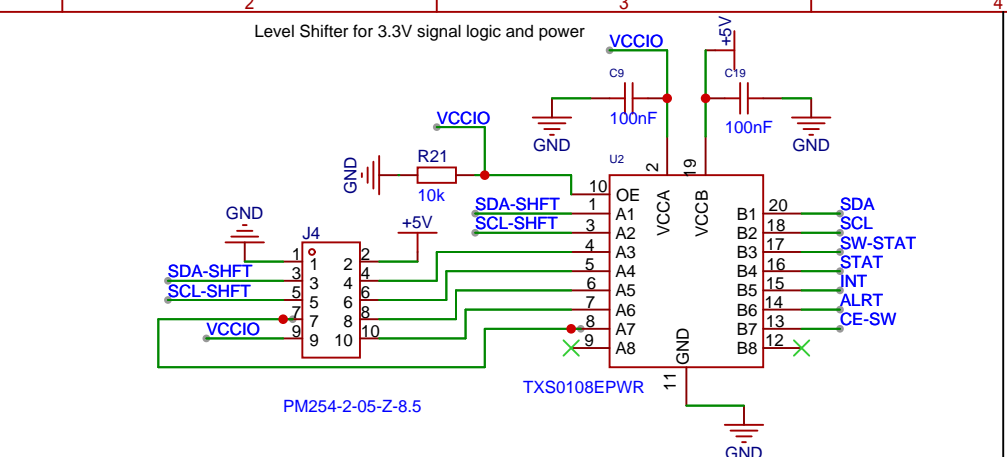
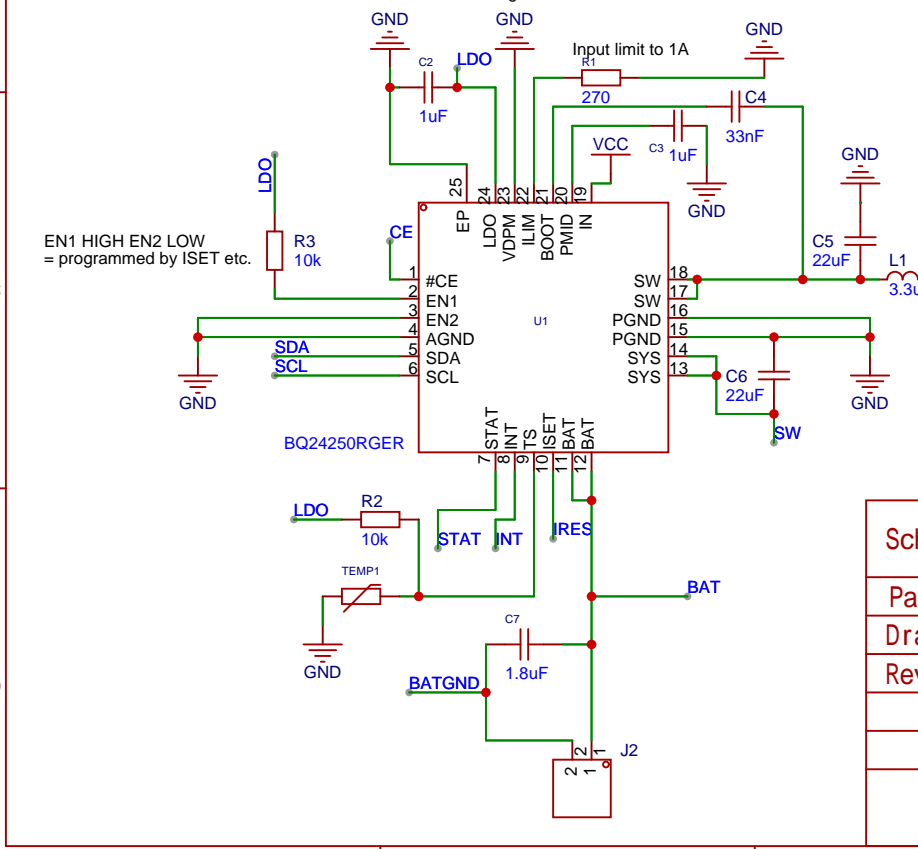


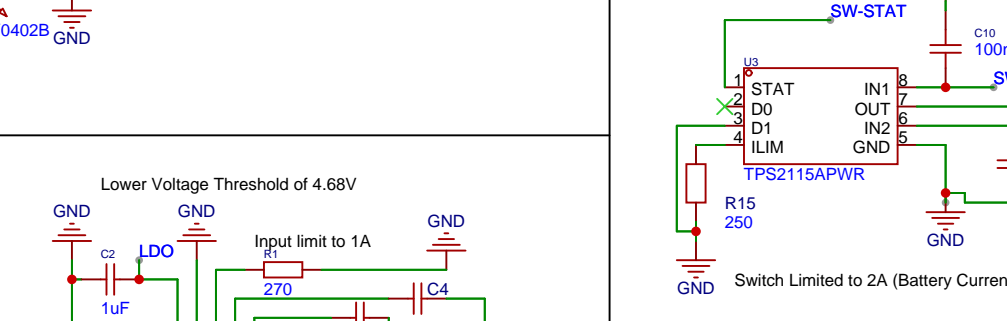
Power LED



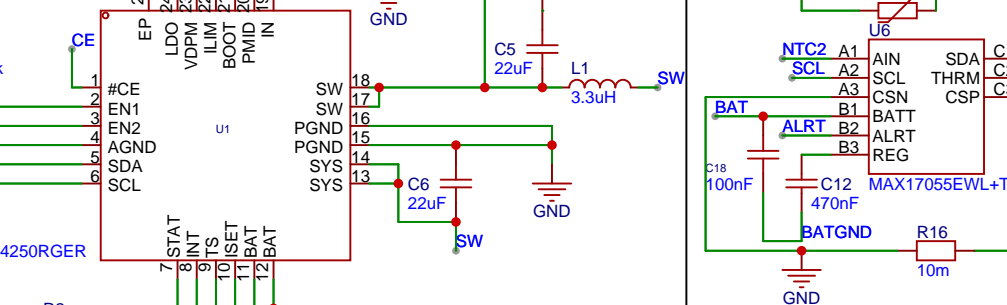
Battery Charger System



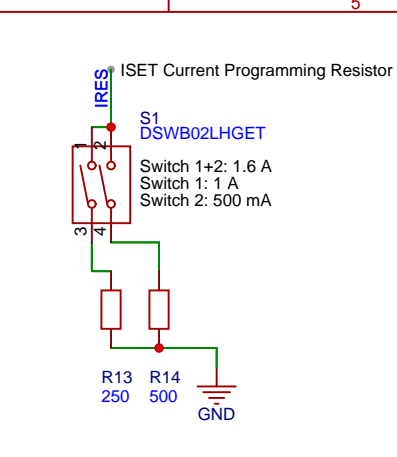
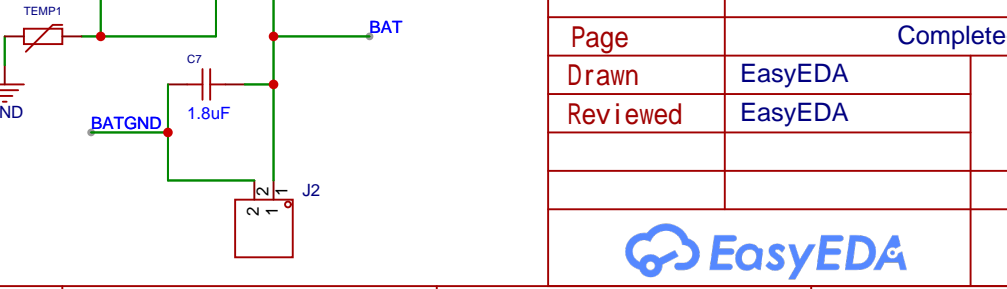
Power switchover



Battery Monitor



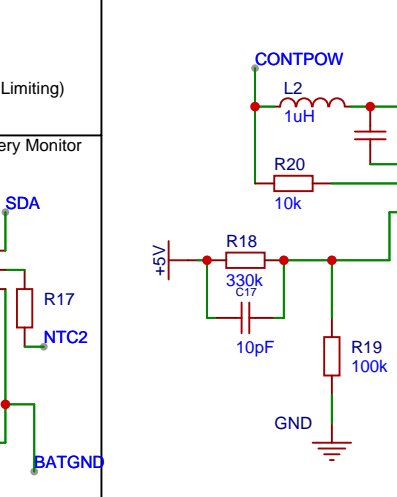
Step Up converter



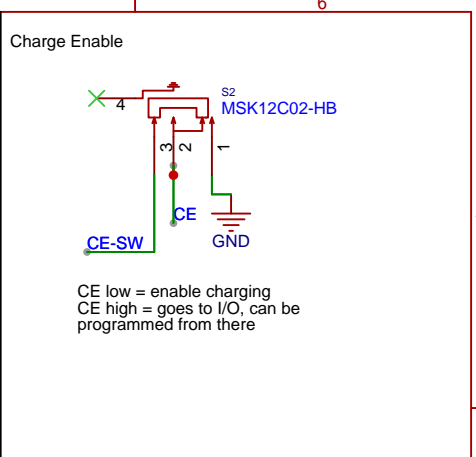
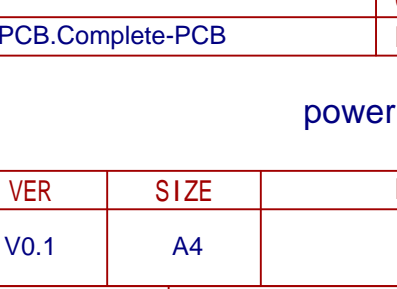
Charge Enable



Battery Monitor



Step Up converter



Schematic	Complete-PCB			Update Date	2024-06-21
Page	Complete-PCB.Complete-PCB			Create Date	2024-06-06
Drawn	EasyEDA			Part Number	JLPCB-002
Reviewed	EasyEDA			powerbank-usv	
		VER	SIZE	PAGE	1 OF 1
		V0.1	A4	EasyEDA.com	